

# Rotating CCT Scene Remote

This compact remote controls brightness and colour temperature via 2.4GHz wireless technology with a 30m range. It supports saving up to four scene presets and controls multiple devices simultaneously. Featuring a rotating dial for easy adjustments and magnetic mounting for simple installation, it's available in black or white.



## FEATURES

- 2.4GHz wireless transmission technology with a 30m control range.
- Adjustable brightness and colour temperature for customized lighting.
- Controls multiple devices simultaneously for a unified setup.
- Supports saving up to four scene presets for quick access.
- Magnetic mounting for easy and secure installation.
- Compact design with a rotating dial for precise adjustments.
- Low power consumption with strong anti-interference capabilities.
- Fast communication speed for responsive control.
- Available in black or white to match various decors.

## COMPATIBLE FIXTURES

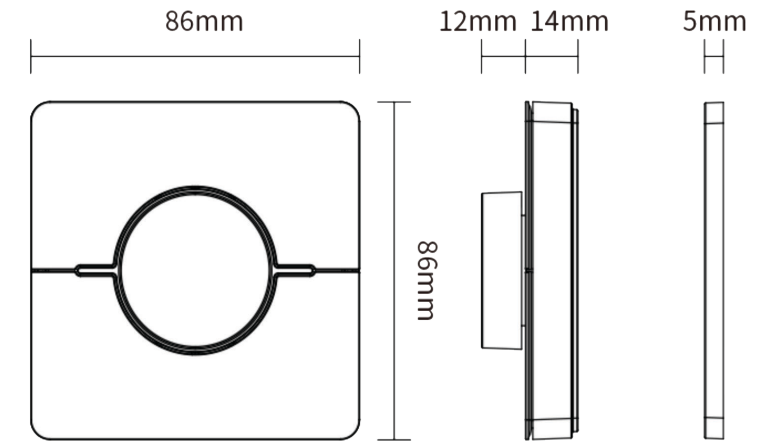
- Please refer to the 'LED Controllers List' section on page 163
- To be used with CCT controllers

SPECIFICATIONS		
<b>Product Code</b>	CNTRL-4Z-CCT-RWP-WH OR CNTRL-4Z-CCT-RWP-BK	
<b>Electrical</b>	<b>Working Voltage</b>	3V (AAA * 2PCS)
	<b>Standby Power Consumption</b>	6 Microamperes
	<b>Transmitting Power</b>	6dBm
<b>Specs</b>	<b>RF</b>	2.4GHz
	<b>Control Distance</b>	30m
	<b>Modulation Method</b>	GFSK
	<b>Operating Temperature</b>	-10 to 40°C
<b>Dimensions</b>	3.39 x 3.39 x 1.02 inches	
	86 x 86 x 26mm	
<b>Approvals</b>	RoHS	

## PRODUCT CODES

CNTRL-4Z-CCT-RWP-WH (White)  
OR  
CNTRL-4Z-CCT-RWP-BK (Black)

## DIAGRAM



## FUNCTIONAL DIAGRAM

