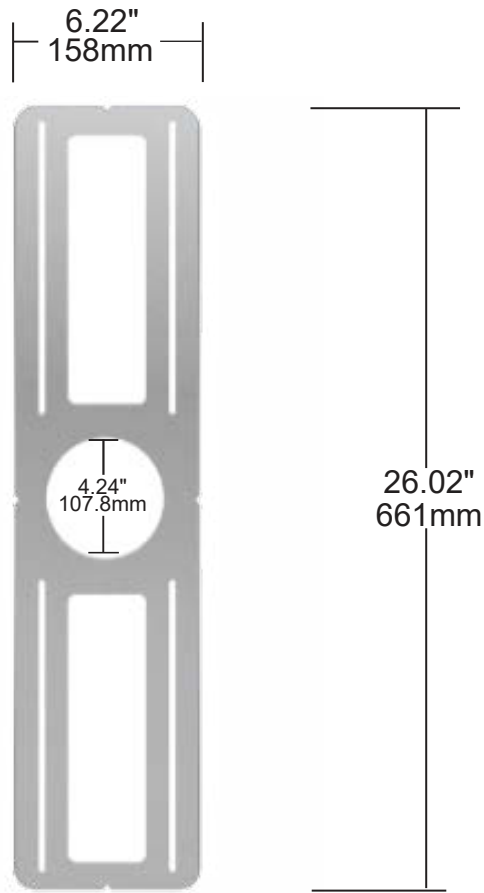


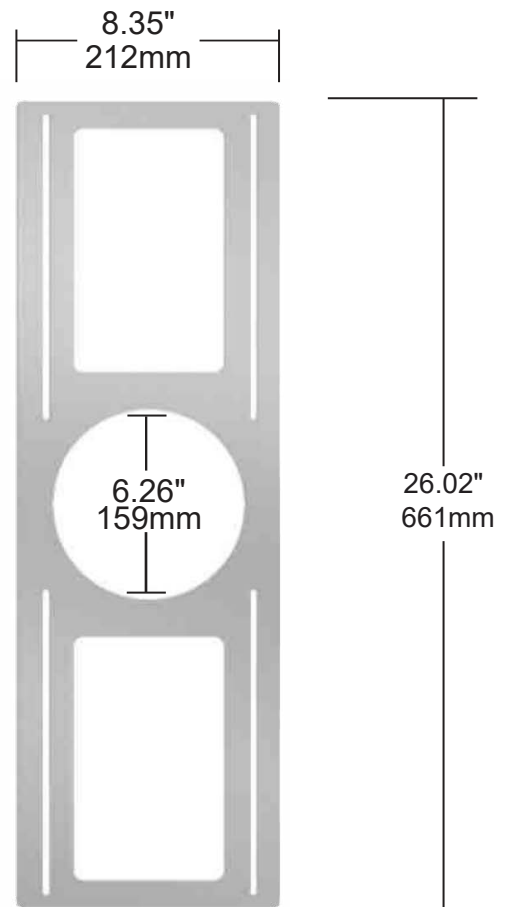


DOWN LIGHT CONSTRUCTION PLATES

SDL-5CCT-4-CP
SDL-5CCT-6-CP



4 Inch CP



6 Inch CP

SPECIFICATIONS		NOTE
Material	Galvanized Iron Sheet Metal	Sold separately (each)
Size	4" and 6"	

* For Use with: SDL-5CCT-4, SDL-5CCT-6 Series of products. Provides secure and accurate mounting of downlights in new construction applications.

Ordering Code(s) • SDL-5CCT-4-CP & SDL-5CCT-6-CP

Project		Type	
Date		Contact	
Notes			