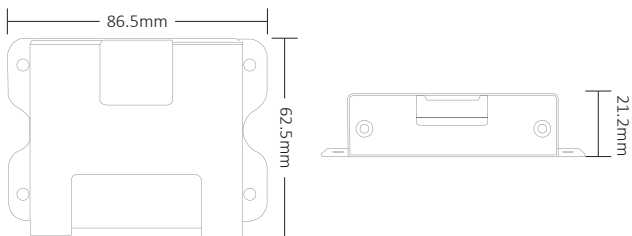
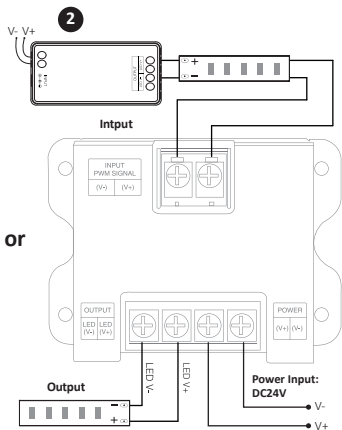
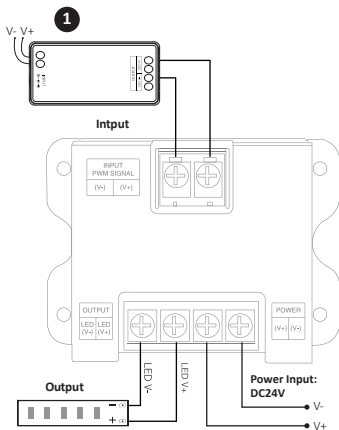


1. Features

Adopt high speed optical coupler with 10Mbps output rate; it can output the signal of main controller completely and synchronously. This products work on all PWM series LED controllers in market; Made from the big current MOSFET to assure the high rate output. Everytime you add one more amplifier, you can connect twice as many as LEDs. Theoretically, it can connect countless amplifier, input and output is with optoelectronic isolation. Working with main controller can satisfy the application requiring large power, wide range and synchronization area.

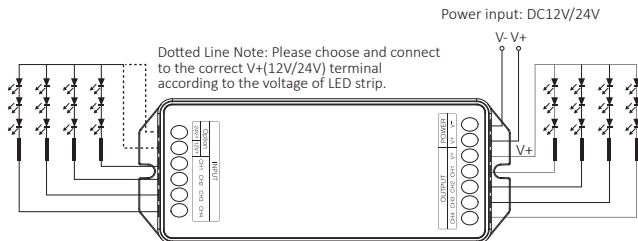
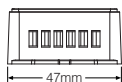
Model No.: PA1 1-Channel High Performance Amplifier





or

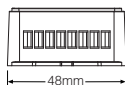
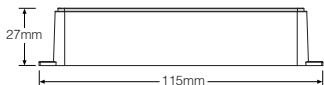
Model No.: PA4 4-Channel High Performance Amplifier



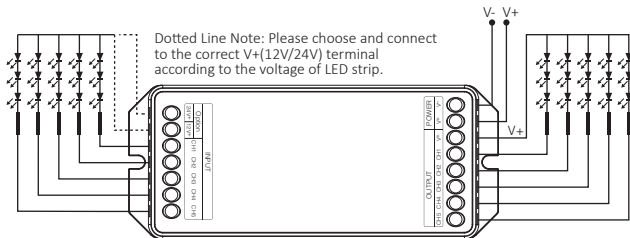
Attention: 1. LED strip must be DC12V or 24V.

2. Output and input voltage must be the same.

Model No.: PA5 5-Channel High Performance Amplifier



Power input: DC12V/24V



Attention: 1. LED strip must be DC12V or 24V.

2. Output and input voltage must be the same.

2. Attention

1. Please check whether the input voltage of the constant voltage power supply is in accordance with the controller, and please check the connection of both the cathode and anode, otherwise the controller will be broken.
2. Please don't connect wires with power on. Please turn on again only when it is in right connection and no short circuit.
3. Non-professional user cannot dismantle the lighting fixtures directly.
4. Please do not use the controller in the place with widely range metal area or strong electromagnetic wave nearby, otherwise, the remote distance will be seriously affected.

Made in China



Light can not
use in humid area