

# 5CCT Ultra-Thin LED Recessed Ceiling Light

With an ultra-thin 9mm profile, double-sided frosted diffuser, and advanced ADC12 aluminum cooling frame, this dimmable LED light offers even illumination, energy efficiency (PF > 0.9), and IP40 protection for wet locations.



## FEATURES

- Ultra-thin 0.35-inch profile.
- 5CCT options: 2700K-5000K.
- High CRI > 90.
- Even light distribution, frosted diffuser.
- Triac dimmable, 5%-100%.
- ADC12 aluminum cooling frame.
- High power factor (>0.9).
- IP40, damp location rated.
- Connector with strain relief design.
- Great spring elasticity, 6N-8N force.
- 50,000 hour life.
- 5 year limited warranty.
- Airtight.

## APPLICATIONS

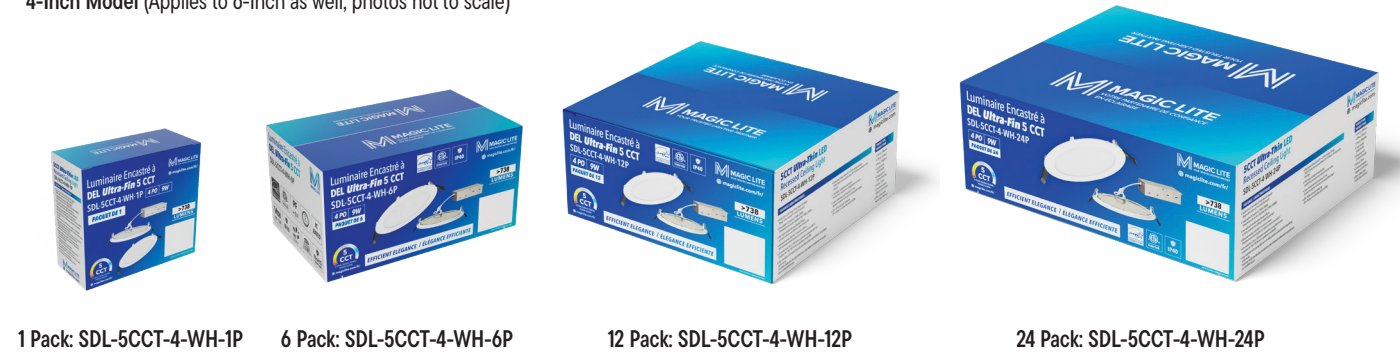
- Residential living rooms
- Kitchens
- Bathrooms (damp-rated areas)
- Commercial offices
- Retail displays
- Hospitality spaces
- Hallways and corridors

## SPECIFICATIONS

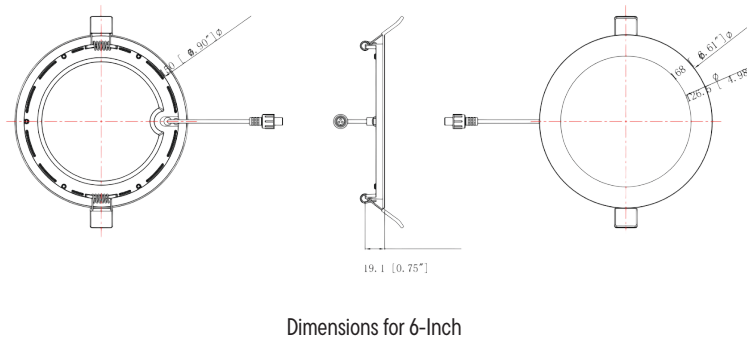
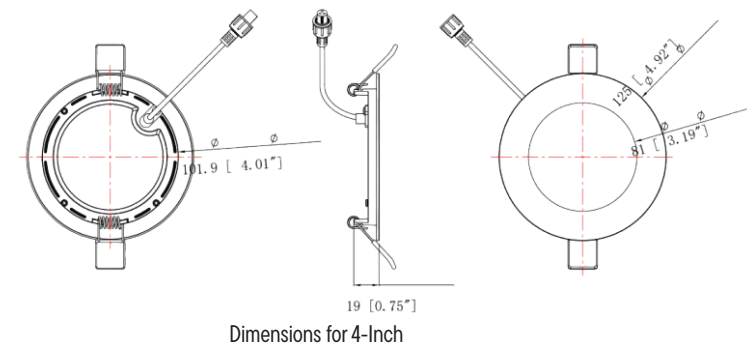
| Sizes        |                          | 4"                              | 6"                             |
|--------------|--------------------------|---------------------------------|--------------------------------|
| Product Code |                          | SDL-5CCT-4-WH-1P (1 Pack)       | SDL-5CCT-6-WH-1P (1 Pack)      |
|              |                          | SDL-5CCT-4-WH-6P (6 Pack)       | SDL-5CCT-6-WH-6P (6 Pack)      |
|              |                          | SDL-5CCT-4-WH-12P (12 Pack)     | SDL-5CCT-6-WH-12P (12 Pack)    |
|              |                          | SDL-5CCT-4-WH-24P (24 Pack)     |                                |
| Electrical   | Input Voltage            | 120V AC                         |                                |
|              | Output Power (W)         | 9W                              | 12W                            |
| Specs        | Colour Temperature       | 5CCT: 2700/3000/3500/4000/5000K |                                |
|              | CRI                      | 90+                             |                                |
|              | Lumens                   | >738Lm                          | >984Lm                         |
|              | Dimmable                 | Yes, with TRIAC dimmers         |                                |
|              | PF                       | >0.9                            |                                |
|              | Beam Angle               | 110°                            |                                |
|              | IP Rating                | IP40                            |                                |
| LED          | Type                     | 2385                            |                                |
|              | Life Span                | 50,000 Hours                    |                                |
| Design       | Dimensions (Inches)      | D1=3.19", D2=4.92", H=0.75"     | D1=4.98", D2=6.61", H=0.75"    |
|              | Dimensions (Millimetres) | D1=81mm, D2=125mm, H=19mm       | D1=126.5mm, D2=168mm, H=19.1mm |
|              | Finish                   | White finish                    |                                |
|              | Trim Rings               | Black                           |                                |
|              | Approved Location        | Wet                             |                                |
|              | Mounting                 | Ceiling                         |                                |
| Warranty     | 5 Years                  |                                 |                                |
| Approvals    | cETLus and Energy Star   |                                 |                                |

## PACKAGING

4-Inch Model (Applies to 6-Inch as well; photos not to scale)



## DIAGRAM

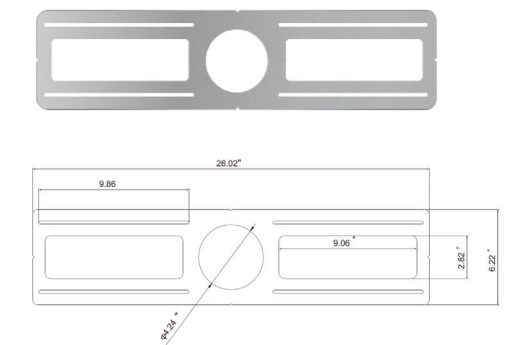


## PRODUCT IMAGE

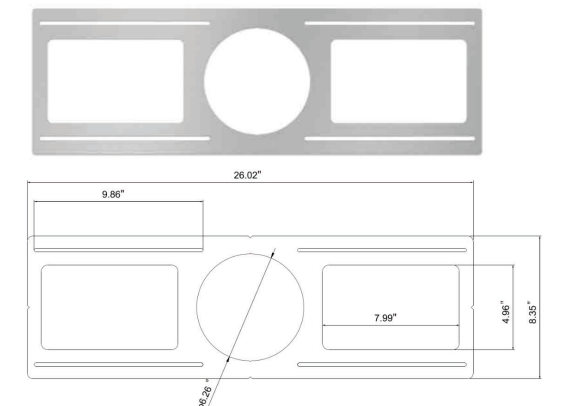


## CONSTRUCTION PLATES

For 4-Inch: SDL-5CCT-4-CP



For 6-Inch: SDL-5CCT-6-CP

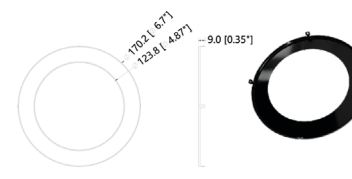


## TRIM RINGS

For 4-Inch: SDL-5CCT-4-TR-BK



For 6-Inch: SDL-5CCT-6-TR-BK



NOTE: Trim Rings and Construction Plates are sold separately.