

# 2 Wire CCT Controller (2.4GHz)

This controller utilizes advanced 2.4GHz wireless technology, offering low power consumption, long transmission range, and strong anti-interference capabilities. It supports colour temperature adjustment and dimming, with a 30m remote control range. It features auto-transmitting, supports smartphone app control, and is compatible with third-party voice control when connected via a 2.4GHz gateway. Ideal for hotel and home lighting systems.



### FEATURES

- Colour temperature adjustable.
- Dim brightness.
- 2.4G RF wireless transmission technology.
- Auto-transmitting.
- Remote control distance 30m.
- Support Smartphone app control (2.4GHz gateway is needed).

### COMPATIBLE FIXTURES

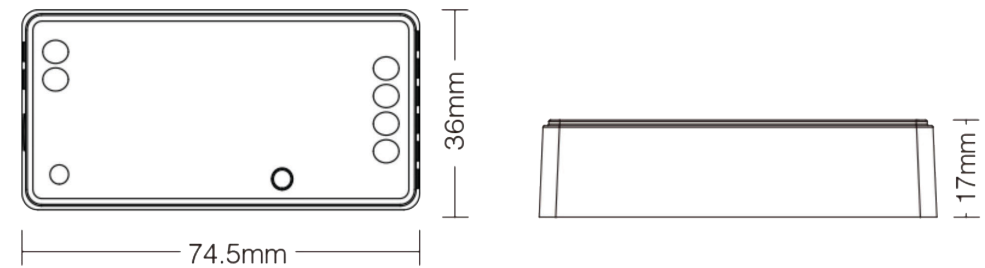
Please refer to the 'LED Controllers List' section on page 163

| SPECIFICATIONS      |                           |              |
|---------------------|---------------------------|--------------|
| <b>Product Code</b> |                           | CNTRL-2W-CCT |
| <b>Electrical</b>   | Input Voltage             | DC 12 to 48V |
|                     | Output                    | 10A/Channel  |
|                     | Total Output              | Max 10A      |
| <b>Specs</b>        | Communication Protocol    | 2.4GHz       |
|                     | Control Distance          | 30m          |
|                     | Working Temperature       | -10 to 40°C  |
| <b>Dimensions</b>   | 2.93 x 1.42 x 0.67 inches |              |
|                     | 74.5 x 36 x 17mm          |              |
| <b>Approvals</b>    | RoHS                      |              |

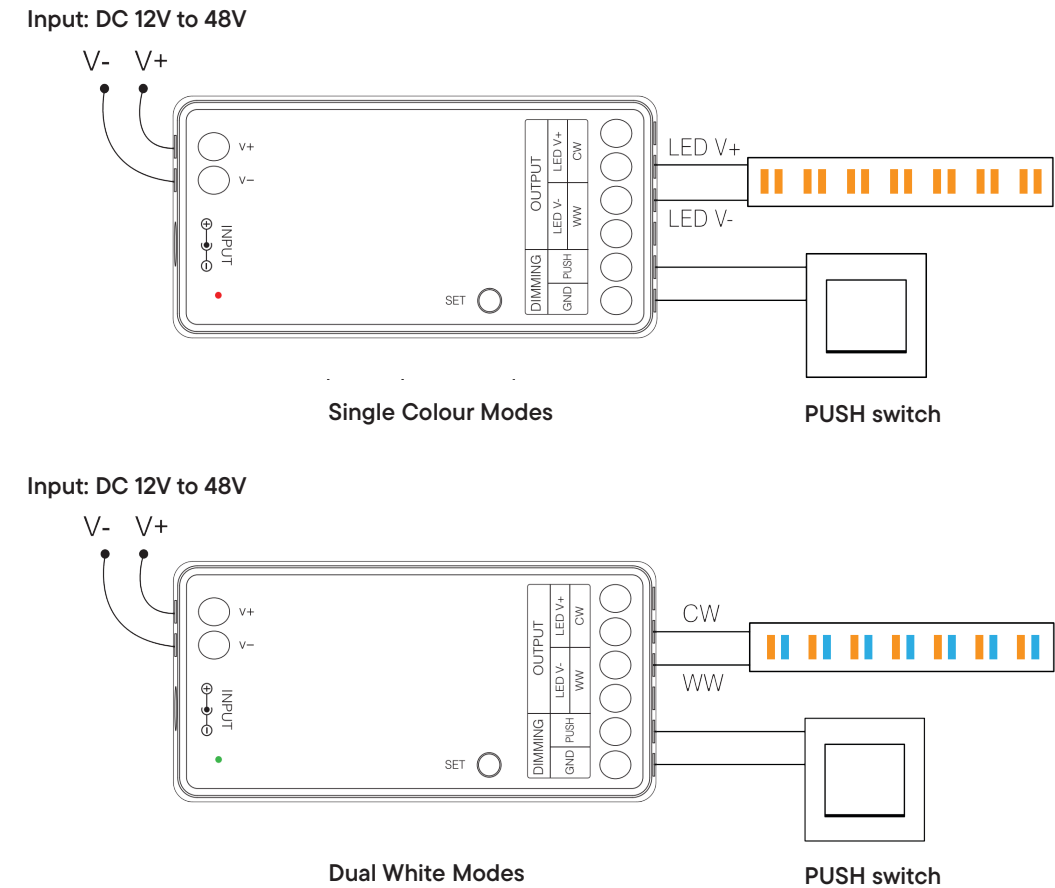
### PRODUCT CODES

CNTRL-2W-CCT

### DIAGRAM



### 'CONNECT TO LED STRIP' DIAGRAM



**NOTE:** Controller input voltage must be in accordance with the required voltage of LED Strips.