

A low-profile arched frosted lens that provides an economical protective shield while minimizing diode imaging. Easy to install and cuttable in the field. Made of lightweight UV stable polycarbonate plastic with 3M peel and stick adhesive rails.

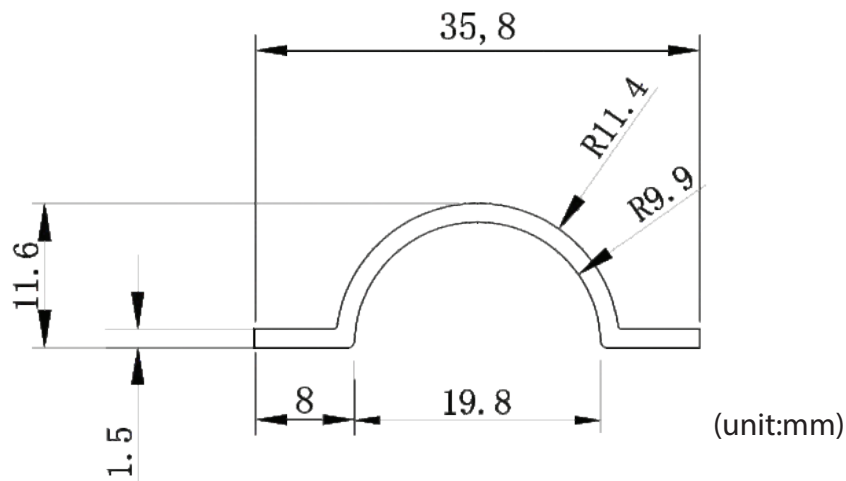


- Protects indoor LED Strip Light
- Minimizes diode imaging
- Frosted (80% Transmittable)
- Lightweight
- Field Cuttable & Retrofittable

Key Features

- Minimizes diode imaging
- 80% transmittable
- Lightweight and made of UV-stable polycarbonate plastic
- Field cuttable and retrofittable
- Easy installation with peel-and-stick 3M adhesive rails
- Available in 1M lengths

Dimensions



Ordering Code(s)

LV-PC-TO

Project		Type	
Date		Contact	
Notes			