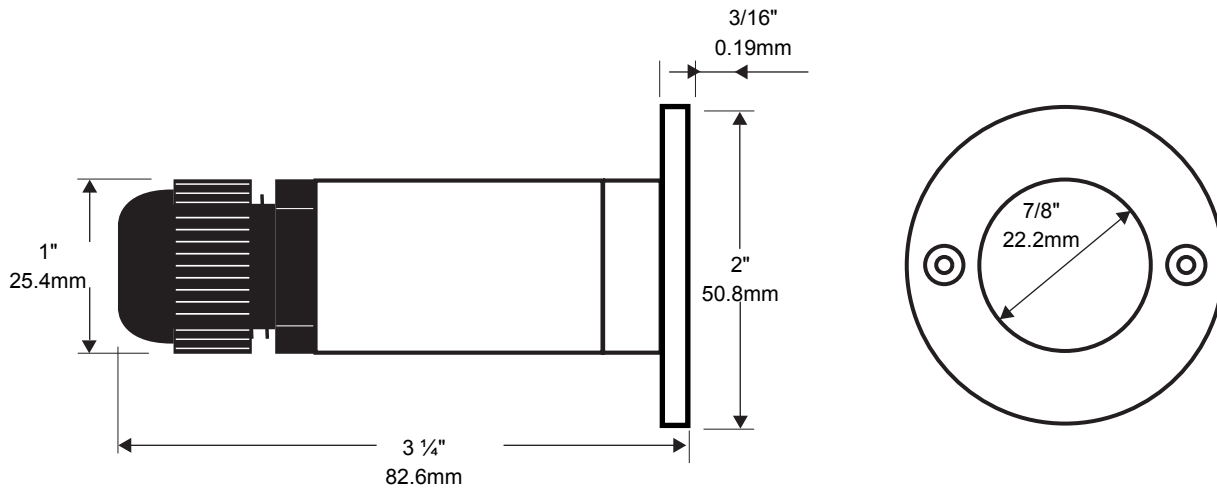


A robust LED marker light ideal for public or residential applications, indoor or outdoor.



YY = AL - Aluminum, BK - Black, BZ - Bronze, WH - White, SS - Stainless Steel  
 XX = WW - Warm White, WH - White, AM - Amber, BL - Blue, GR - Green, RD - Red

## Features

- Now dimmable on the primary power supply side with our new dimmable LED Drivers!
- Long life – 50,000 hours
- Low power consumption of 0.24 watts per fixture
- Safe 12 volt, Class 2 power supply (not included)
- Up to 100 fixtures per power supply
- cUL listed for in-wall, IC ceiling, in-floor, outdoor wet, and outdoor burial applications
- Fits in any 1" diameter hole, 3 1/2" long
- 2 year limited warranty, 3 years for stainless steel

## Specifications

<b>Voltage 12V DC</b>	12V DC
<b>LED Module Specifications</b>	12V DC, 20mA, 0.24 Watts
<b>Average LED Life</b>	50,000 hours
<b>LED Colours</b>	White 5400K, Warm White 2900K, Blue, Green, Amber, Red
<b>Cover Finish</b>	Aluminum, White, Bronze, Black, Stainless Steel
<b>Barrel Finish</b>	Aluminum, Stainless Steel
<b>Packaging</b>	Individually packaged in corrugated box
<b>Construction</b>	Cover and barrel - die cast aluminum / stainless steel
<b>Lens</b>	Frosted Tempered Glass
<b>Wiring Options</b>	Each LED Driver can power up to 200 LED MiniDisc Lights by parallel wiring ("daisy chain") between fixtures. <b>NOTE: Use LW-18G-CL2 for all in-wall applications, LW-18G-BUR for all burial applications.</b>
<b>Approval</b>	cETLus listed and labeled for wet, IC, ceiling, wall and direct burial applications

## Ordering Code:

LEDMD -  -

**LED Colour**  
 WW  
 WH  
 AM  
 BL  
 GR  
 RD

**Finish**  
 AL  
 BK  
 BZ  
 WH  
 SS

## Accessories:

### LEDMD-CF

LED MiniDisc concrete form for concrete pour applications  
 Fits over most 1/2" (12.7mm) conduit junction boxes.

## Drivers:

### Dimmable (Indoor/Outdoor)

**MLDRE-20-12-DM**  
 Max. recommended load  
 18W or 75 LEDMD  
 Min. recommended load  
 8W or 34 LEDMD

**MLDRE-60-12-DM**  
 Max. recommended load  
 54W or 200 LEDMD  
 Min. recommended load  
 8W or 34 LEDMD

### Non-Dimmable

**LEDDR-12-20W-HW**  
 Indoor driver  
 20W hardwire  
 Max. 75 MiniDisc Lights

**LEDDR-12-60W**  
 Indoor/Outdoor driver  
 60W hardwire  
 Max. 200 MiniDisc Lights

Project

Type

Date

Contact

Notes