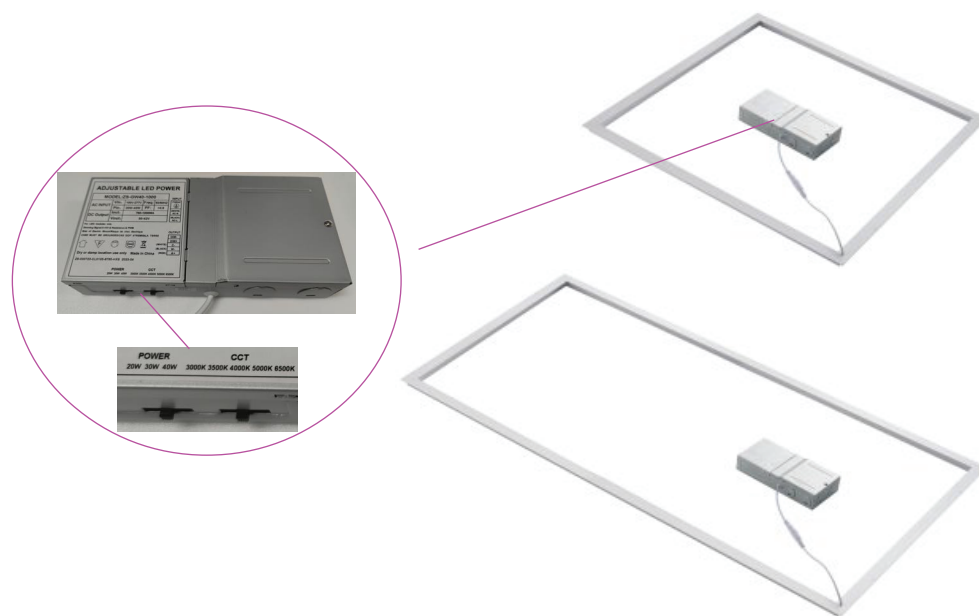
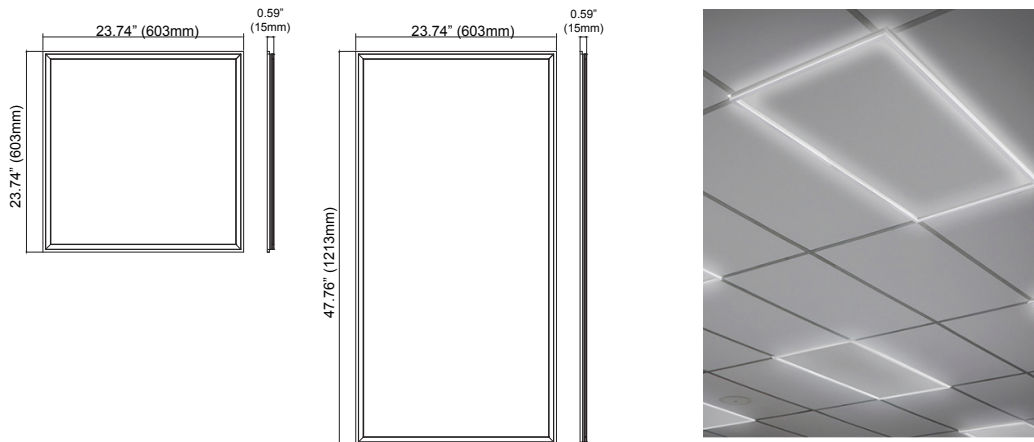


T-edge lights offer an advanced lighting solution, suitable for both general and accent lighting needs in office spaces, hallways, and commercial environments. Featuring an edge-lit design and equipped with a 5CCT capability, these lights provide flexible illumination options, enhancing spaces beyond the capabilities of standard flat panels and troffers.



Key Features

- Ideal replacement for traditional flat panel and troffers
- Non-flicker, no dark spots
- IP Rating: IP40
- cETLus and DLC premium listed
- Dry locations

Residential Applications

- Kitchens
- Bathrooms
- Laundry rooms
- Pantries
- Rec Rooms

Commercial Applications

- Retail
- Offices
- Hallways
- Elevators
- Banquet Halls
- Restaurants

Key Specifications

Product Code		TLE-2X2-K40-3065	TLE-2X4-K60-3065
Electrical	Input Voltage	100-277V AC	
	Power Consumption	20/30/40W Adjustable	40/50/60W Adjustable
Specs	Colour Temperature	3000/3500/4000/5000/6500K	
	CRI	80+	
	Lumen Output	2500-5000LM	5000-7500LM
	Efficacy (LM/W)	N/A	
	Dimmable	0-10V Dimming	
	Beam Angle	120°	
LED	Type	N/A	
	Life Span	50,000 Hours	
Design	Dimensions (Inches)	23.74 x 23.74 x 0.59"	23.74 x 47.76 x 0.59"
	Dimensions (Millimeters)	603 x 603 x 15mm	603 x 1213 x 15mm
	Finish	N/A	
	Housing Material	6063-T5	
	Temperature	-20° to 45°C	
	Approved Location	Dry	
	Mounting	Ceiling	
Warranty	5 years		
Approvals	cETLus and DLC Premium		

Accessories



TLE-DM

Driver mount bracket (for mounting bracket to the T-BAR)



TLE-MC

Mounting clips (for fixture wire suspension)

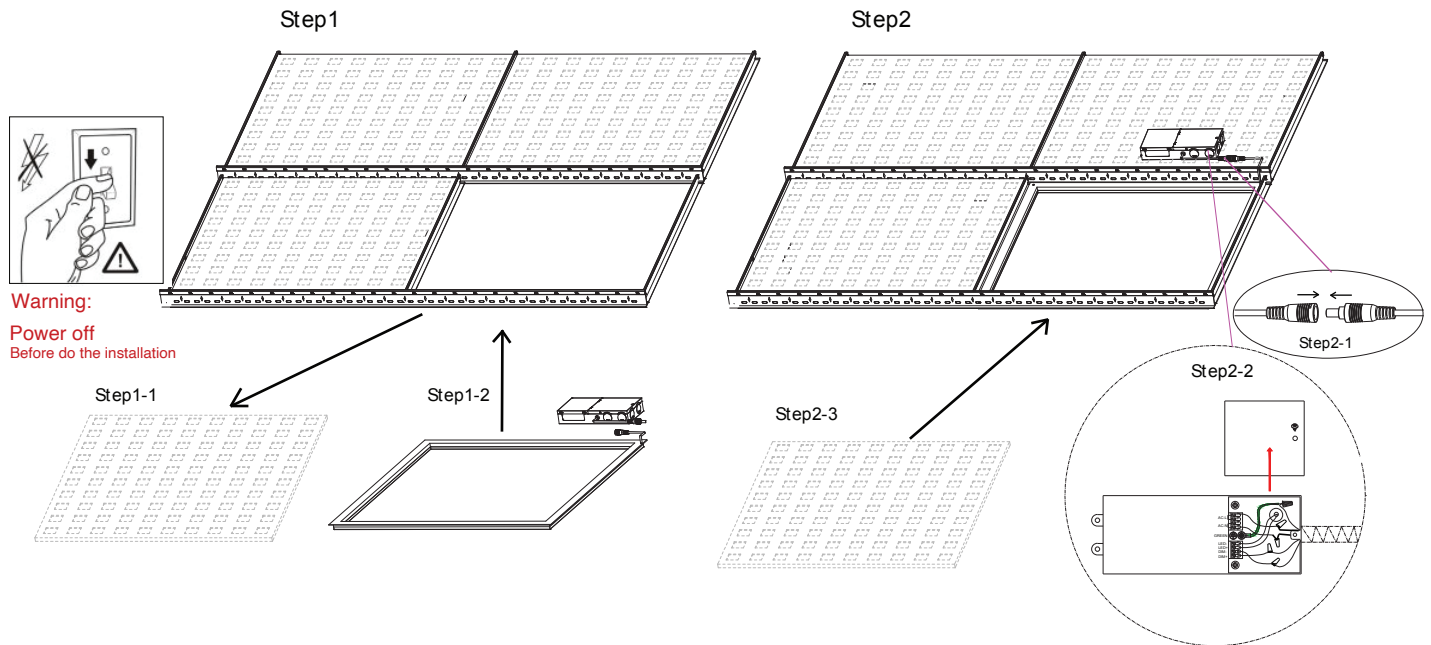
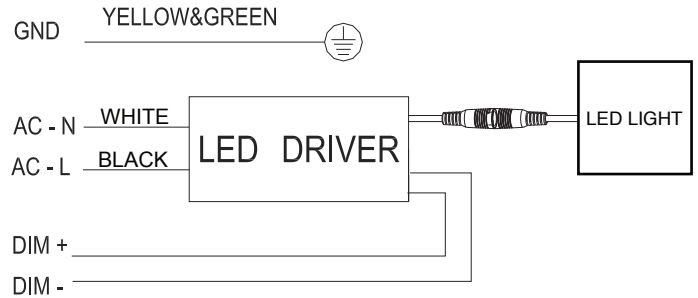
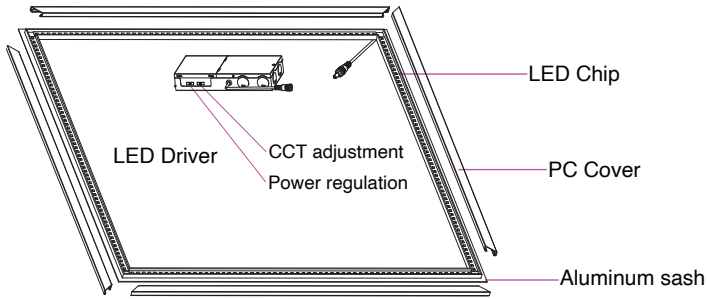


ELP14-2060-UNV

Emergency Driver (sold separately)

- Driver mount bracket (TLE-DM), and mounting clips (TLE-MC) are available (sold separately). Please check your local building codes, if these accessories.
- **TLE-EX-CCT-10:** T-LED CCT Edge Light Extension Cord. 10ft is available.

Mounting Guides



Ordering Codes

TLE-2X2-K40-3065

TLE-2X2-K60-3065

Project		Type	
Date		Contact	
Notes			