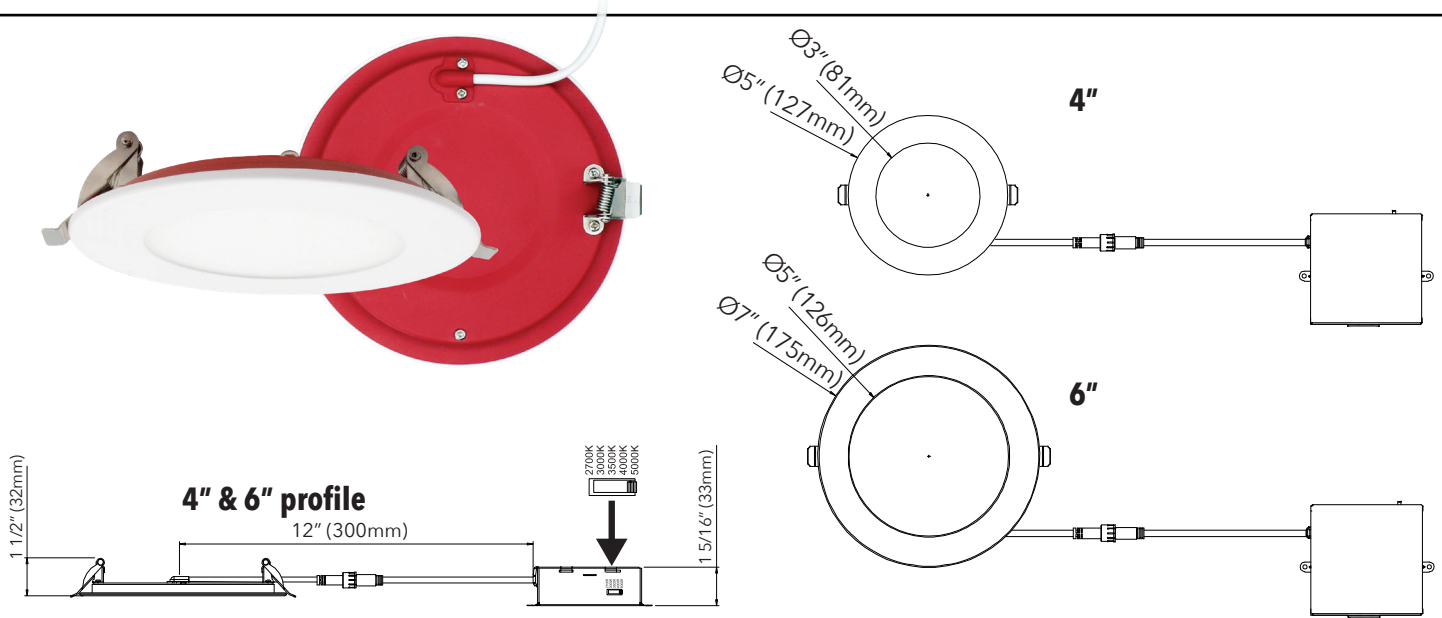


5CCT Fire Rated Thin Lines, available in 4" and 6". Designed for remodel and new construction, these down lights are a versatile and affordable choice for applications where fire-rated fixtures are required.



Features:

- 2 hour Fire Rating
- TRIAC dimmable
- 120° beam spread
- Adjustable colour temperature
2700K/3000K/3500K/4000K/5000K
- Two spring loaded clips to attach to any ceiling material
- White finish (interchangeable Black, Rubber Oil Bronze, Brushed Nickel and Copper trim rings available - sold separately)
- Wet location listed
- Temperature rating: -20°C+40°C
- No IC can required for direct contact with insulation and combustible materials
- Connects directly to 120V power supply
- Optional 347V Step-Down Transformer (non-dimmable)
- 50,000 hour life
- 5 year limited warranty
- Airtight
- 90+CRI

Specifications

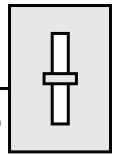
Fire-Rated	2 Hour Fire Rating. Tested to comply with UL 263, ASTM E119 & CAN ULC S101
Colour Temperature	2700K/3000K/3500K/4000K/5000K
Input Voltage	120V AC
Power Consumption (W)	12/15W
Lumens	800/1100LM (size and CCT dependant)
CRI	90+
Life Span (hours)	50,000
Dimmable	with TRIAC dimmers
Beam Angle	120°
Limited Warranty	5 years
Approvals	cETLus, Energy Star

Ordering Codes:

DL-FR-5CCT-4-WH

DL-FR-5CCT-6-WH

Project		Type	
Date		Contact	
Notes			



5CCT Fire Rated Thin Lines, available in 4" and 6". Designed for remodel and new construction, these down lights are a versatile and affordable choice for applications where fire-rated fixtures are required.

Mounting Accessories:

CONSTRUCTION PLATES: (optional for new construction)

- DL-FR-CP-4
- DL-FR-CP-6



TRIM RINGS:

- DL-FR-TR-4-YY
- DL-FR-TR-6-YY

YY=BK (Black), BZ (Rubber Oil Bronze), BN (Brushed Nickel), CP (Copper)



- Black (BK)
- Rubber Oil Bronze (BZ)
- Brushed Nickel (BN)
- Copper (CP)

BEAUTY RINGS:

- DL-FR-BR-4
- DL-FR-BR-6

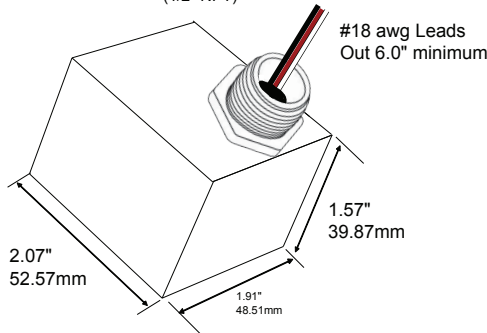


Note: these items are sold separately



DLT-347 (non-dimmable)

Approx. Dimensions
- 0.47" hreads above
- 0.13" shoulder
- Nipple Dia. 0.82"
(1/2" NPT)



Note: this item is sold separately

347V Specifications

Primary / Input	347V, 60Hz, 28W, 0.08A @ Full / Rated Load
Secondary / Output	<ul style="list-style-type: none"> • Open Circuit = 130V ±2%, 0.4W • Full / Rated Load = 115V ±2%, • 25VA (25W/ 0.22A resistive load)
Dielectric Strength	Winding to core 3000V, 60Hz, 1 sec.
Efficiency	88% typ. @ 347Vin, 25VA load.
Insulation System	Class A (105°C)
Environmental Temperature Rating	-20°C to + 40°C
MTBF (based on MIL Handbook 217F)	50 years @ rated specification
Housing	Black Zytel FR50 (plastic)
Approvals	UL Listed to CSA C22.2 No. 66.1, 66.2 and UL5085-1, UL5085-2
Weight	0.75lbs.