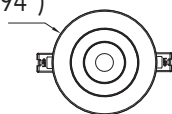


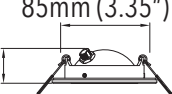
An ideal directional lighting solution for remodel and new construction, 5CCT LED Gimbal Down Lights are a versatile and affordable choice for countless applications.

3"

100mm (3.94")

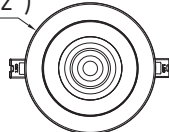


85mm (3.35")
33mm (1.3")

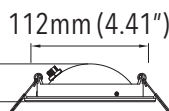


4"

125mm (4.92")

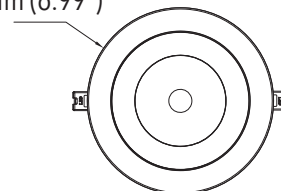


112mm (4.41")
36mm (1.42")

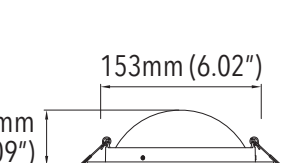


6"

177.5mm (6.99")



153mm (6.02")
53mm (2.09")



Features

- 120V AC input voltage
- TRIAC dimmable
- Low power consumption - 8W / 14W / 18W
- Available in 3", 4" and 6"
- Luminous flux: 600-650LM / 950-1000LM / 1150-1200LM
- CCT adjustable: 2700K / 3000K / 3500K / 4000K / 5000K
- 360° rotation
- Beam angle 38°
- Tilting angle 90°
- 90CRI
- cETLus, Energy Star certified
- 30,000 hour life
- 5-year limited warranty

Specifications

Colour Temperature	2700K / 3000K / 3500K / 4000K / 5000K
Input Voltage	120V AC
Power Consumption (W)	8W / 14W / 18W
Luminous Flux	600-650LM / 900-1000LM / 1150-1200LM
Dimmable	TRIAC dimmable
CRI	90+
Rotation	360°
Tilting Angle	90°
Beam Angle	38°
Installation Hole Size	3" = 85mm (3 3/8") 4" = 112mm (4 7/16") 6" = 153mm (6")
Life Span (hours)	30,000
Approvals	cETLus, Energy Star, IC Rated

Ordering Codes:

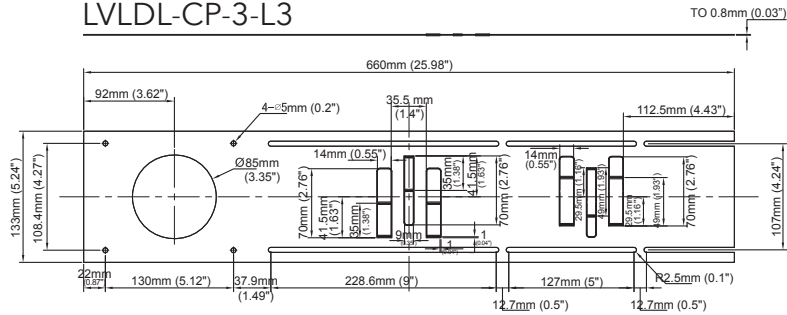
GDL-3-8W-38-CCT-WH
 GDL-4-14W-38-CCT-WH
 GDL-6-18W-38-CCT-WH

Project		Type	
Date		Contact	
Notes			

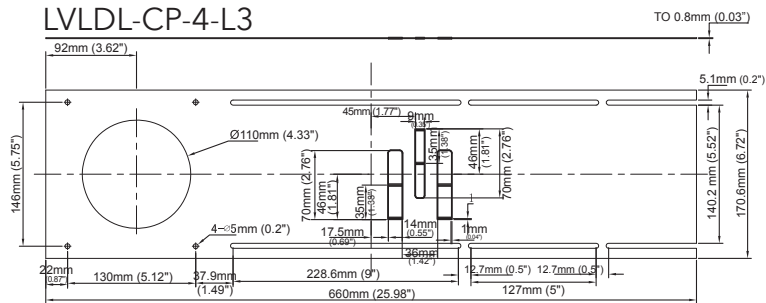
An ideal directional lighting solution for remodel and new construction, 5CCT LED Gimbal Down Lights are a versatile and affordable choice for countless applications.

Construction Plates:

LVLDL-CP-3-L3



LVLDL-CP-4-L3



LVLDL-CP-6-L3

