

5CCT LED Thin Line Down Light (Square)

Designed with a sleek square shape, this down light offers versatility, affordability, and adjustable 5 color temperatures.



FEATURES

- TRIAC dimmable
- 120° beam spread
- Adjustable colour temperature
- Two spring loaded clips to attach to any ceiling material
- White finish (interchangeable: brushed nickel, black, bronze trim rings available - sold separately)
- Wet locations listed
- Temperature rating: -20°C to 45°C
- No IC can required, for direct contact with insulation and combustible materials
- Connects directly to 120V power supply
- Optional 347V Step-Down
- Transformer (non-dimmable)

APPLICATIONS

- Kitchens & pantries
- Laundry rooms
- Bathrooms
- Lobbies & hallways
- Banquet halls & elevators
- Retail lighting
- Offices & restaurants

SPECIFICATIONS		
Size	4 Inches	6 Inches
Product Code	DL-5CCT-4S-WH	DL-5CCT-6S-WH
Electrical	120V AC	
Input Voltage	120V AC	
Power Consumption	9W	12W
Color Temperature	2700/3000/3500/4000/5000K	
Lumen Output	630	840
Efficacy	70LM/W	
CRI	90	
Dimmable	Yes (TRIAC)	
Beam Angle	120°	
LED	Epistar	
Type	Epistar	
Life Span	50,000 Hours	
Dimensions (Inches)	4.1 x 4.7 x .4"	6.3 x 6.8 x .4"
Dimensions (Millimeters)	103 x 120 x 11.3mm	159 x 171.5 x 11.3mm
Installation Hole Size	4.33" (110mm)	6.30" (160mm)
Finish	White	
Trim Finish	BK: Black, BZ: Bronze, BN:Brushed Nickel	
Operating Temperature	-20°C to 45°C	
Approved Location	Wet	
Mounting	Ceiling	
Warranty	5 years	
Approvals	cETLus and Energy Star	

PRODUCT CODES

DL-5CCT-YY-WH

5CCT LED
Thin-Line Down
Lights

SIZE (Square)
4S: 4"
6S: 6"

SQUARE TRIM RINGS (Sold Separately)

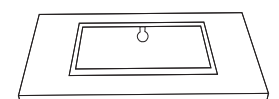
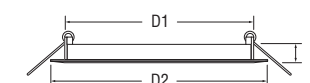
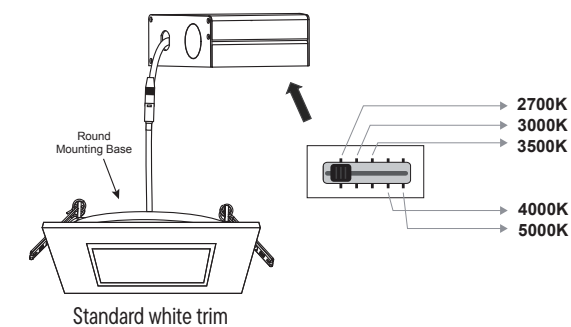
LVLDL - 04S - TR - XX - L3

LVLDL - 06S - TR - XX - L3

TRIM RING FINISH

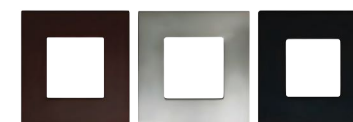
BK: Black, BZ: Bronze; BN - Brushed Nickel

DIAGRAM



Interchangeable brushed nickel, black and bronze trim rings available (sold separately).

ACCESSORIES



LVLDL-YY-S-TR-XX-L3

Square Shaped Trim Rings For 5 CCT LED Thin Line Down Light (sold separately).

CONSTRUCTION PLATES

