



MI

MAGIC LITE

YOUR TRUSTED LIGHTING PARTNER

**2020/2021
CATALOGUE**

Table of Contents

LINEAR LIGHTING

LED Strip Series High Power Indoor	4
LED Strip Series Low Power Indoor	6
High Density LED Strip Series High Power Indoor	8
High Density LED Strip Series Low Power Indoor	10
LED Strip Series High Efficacy, Indoor	12
LED Strip Series COB, Indoor	14
Dim to Warm Strip Series	16
LED Strip Series High Power RGB Indoor	18
LED Strip Series Low Power RGB Indoor	20
LED Strip Series High Power RGBW Indoor	22
LED Strip Series CCT Indoor	24
LED Strip Series High Power Outdoor	26
LED Strip Series Low Power Outdoor.....	28
LED Strip Series High Power RGB Outdoor	30
LED Strip Series Low Power RGB Outdoor.....	32
LED Strip Series Extrusions	34
LED eStrip	36
High Power LED eStrip	38
RGB LED eStrip.....	40
LED Neon Flex	42
LED Globe Light	44
LED Wedge Light	46
LED Hard Strip RGB	48
Gen II LED Hard Strip	50
LED Britestrip	52

UNDER CABINET LIGHTING

Gen II 3-Colour LED Task Star	54
LED Task Star PRO.....	56
LED Task Star	58
LED Edgelit Puck Lights	60

DECORATIVE LIGHTING

Ceiling Lights	62
Wall Sconces	63

DOWN LIGHTING – RECESSED & SURFACE

LED Thin-Line Round Down Light Gen III	64
LED Thin-Line Square Down Light Gen III	68
3-Colour Temperature LED Thin-Line Down Light	70
LED Regressed Down Light CCT	72
High Power Thin-line LED Down Lights.....	74
LED Gimbal Down Lights - GDL-3	76
LED Gimbal Down Lights - GDL-4	77
Round LED Surface Mount Down Lights	78
Square LED Surface Mount Down Lights	80
T-LED Edge Light	82
T-LED Edge Light CCT	84

INDUSTRIAL LIGHTING

Tri-Proof Lights	86
100W LED Work Light	88
60W LED Work Light.....	90
LED String Work Light	91

WAYFINDING – STAIRWAYS, HALLWAYS, PATHWAYS

LED Disc Light	92
LED Disc Light Dome	94
LED MiniDisc Light	96
LED MiniDisc Light (Scoop)	98
LED Switch Star	100
LED Step Star Gen II	102
LED Brick Star Gen II.....	104
LED Outdoor Sconce.....	106
CCT Adjust Mini Flood Light	108

LED DRIVERS AND LED CONTROLLERS

Switchex®.....	110
LED Drivers Selector Chart	112
LED Controllers List	114

TOKISTAR

Tokistar.....	116
---------------	-----

LED STRIP SERIES

High Power Indoor



Suitable for high ceiling coves or areas that require higher illumination. Commercial, retail, hospitality and residential applications.



HIGH POWER SINGLE COLOUR LP-5060-60 SERIES

FEATURES

- 1 Bin
- 2 Step MacAdam Ellipse
- 3oz PCB board
- 3M Adhesive
- 50,000 hours life
- High brightness 5060 SMD LEDs
- Field cuttable
- Low power consumption
- Available in 20' (6.1m) and 100' (30.48m) spools (custom cuts available)
- Safe, 24V class 2 power supplies (sold separately)
- Fully dimmable with dimmable power supplies (sold separately)
- 20' spools come with 6 ft. pre-soldered power feeds
- 6 year limited warranty

APPLICATIONS

- Aisle and stairway lighting
- Cabinet and cove lighting
- Back lighting
- Showcase lighting
- Linear decorative lighting

PRODUCT CODES

20Ft spools

LP - 5060 - 60 - 24 - **YY** - H90 - 20FT

LED COLOUR

- 2700K
- 3000K
- 3500K
- 4000K
- 6500K

LP - 5060 - 60 - 24 - **YY** - 20FT

LED COLOUR

- R** - Red
- A** - Amber
- G** - Green
- B** - Blue

100Ft spools

LP - 5060 - 60 - 24 - **YY** - H90 - 100FT

LED COLOUR

- 2700K
- 3000K
- 3500K
- 4000K
- 6500K

LP - 5060 - 60 - 24 - **YY** - 100FT

LED COLOUR

- R** - Red
- A** - Amber
- G** - Green
- B** - Blue

Custom cuts

LP - 5060 - 60 - 24 - **YY** - H90 - **XX**

LED COLOUR

- 2700K
- 3000K
- 3500K
- 4000K
- 6500K

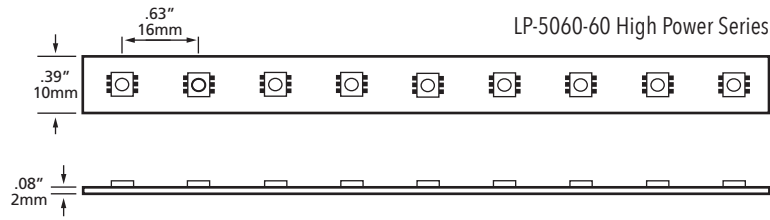
LP - 5060 - 60 - 24 - **YY** - **XX**

LED COLOUR

- R** - Red
- A** - Amber
- G** - Green
- B** - Blue

SPECIFICATIONS

Electrical	24V DC, 4.3W/ft
LED Type	High Brightness 5060 SMD LEDs
Viewing Angle	120°
LED Life	50,000 hours to 70% initial lumen output
LED Spacing	16mm
# of LEDs per foot (304mm)	18
Maximum Single Run	20'
Lumen Output	325 Lumens per ft 6500K 300 Lumens per ft 4000K 293 Lumens per ft 3500K 285 Lumens per ft 3000K 280 Lumens per ft 2700K
Efficacy	75 LPW 6500K, 70 LPW 4000K, 68 LPW 3500K, 66 LPW 3000K, 65 LPW 2700K
Custom Cuttable	1.3" (33mm)
Colour Temperature	2700K, 3000K, 3500K, 4000K, 6500K
CRI	> 90 for white colour temperatures
Approvals	cETLus



ACCESSORIES



LV-CN-A10
72" Power feed connector for single colour indoor. Add "-O" to code for opposite end, add "-CM" for through wall connections.
LV-CN-A10-12
12FT Power Feed Connector



LV-CN-B10
In-line connector for single colour indoor



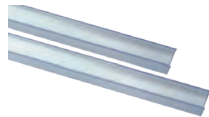
LV-CN-J10
5.9" (15cm)
LV-CN-J10-2
2" (5cm)
LV-CN-J10-2FT
2' (61cm)
LV-CN-J10-12FT
12' (3.65m)
In-line connector for single colour indoor



LV-CN-DC-6
DC connector for LED strip series with 6" wire and DC connector



LMSII-001
Terminal block and junction box for connection to additional lengths of power cable if needed



VO-C10-8
Clear PVC mounting "U" channel



LV-SPIR-1CH-LV
PIR Motion Sensor, 1 Channel, 24V DC
NOTE: To be used with non dimmable drivers only

NOTE: See page 34-35 for the complete range of aluminum extrusions.

INDOOR/OUTDOOR DIMMABLE DRIVERS

MLDRE-40-24-DM
Max recommended load 36W or 8' LED Strip, min 8W or 2' LED Strip
6.77" x 2.67" x 1.26" (171 x 68 x 32mm)

MLDRE-96-24-DM
Max recommended load 90W or 20' LED Strip, min 8W or 2' LED Strip
6.77" x 2.67" x 1.26" (171 x 68 x 32mm)

NON DIMMABLE DRIVERS

MLDR-120-24
Indoor/Outdoor driver
Max. recommended load 90W or 20' (6.1m) per single tap, 120W or 27' (8.23m) combined two secondary taps.
120W hardwire
Input: 100 - 240V AC
Output: 24V DC
10" x 3 3/8" x 3 3/16" (254 x 85.7 x 80.9mm)

MLDR-20-24JB
Indoor driver
Max recommended load 18W or 4' LED Strip
20W hardwire
Input: 100 - 240V AC
Output: 24V DC
4 1/8" x 4 1/8" x 1 1/2" (104.8 x 104.8 x 38.1mm)

NON DIMMABLE PLUG IN DRIVERS

MLDR-18-24P
MLDR-60-24P

LED STRIP SERIES

Low Power Indoor



Great choice for under cabinet and coves offering subtle lighting effects.



LOW POWER SINGLE COLOUR LP-5060-30 SERIES

FEATURES

- 1 Bin
- 2 Step MacAdam Ellipse
- 3oz PCB board
- 3M Adhesive
- 50,000 hours life
- High brightness 5060 SMD LEDs
- Field cuttable
- Low power consumption
- Available in 20' (6.1m) and 100' (30.48m) spools (custom cuts available)
- Safe, 24V class 2 power supplies (sold separately)
- Fully dimmable with dimmable power supplies (sold separately)
- 20' spools come with 6 ft. pre-soldered power feeds
- 6 year limited warranty

APPLICATIONS

- Aisle and stairway lighting
- Cabinet and cove lighting
- Back lighting
- Showcase lighting
- Linear decorative lighting

SPECIFICATIONS

Electrical	24V DC, 2.2W/ft
LED Type	High Brightness 5060 SMD LEDs
Viewing Angle	120°
LED Life	50,000 hours to 70% initial lumen output
LED Spacing	32mm
# of LEDs per foot (304mm)	9
Maximum Single Run	40'
Lumen Output	165 Lumens per ft 6500K 150 Lumens per ft 4000K 148 Lumens per ft 3500K 145 Lumens per ft 3000K 143 Lumens per ft 2700K
Efficacy	75 LPW 6500K, 68 LPW 4000K, 67 LPW 3500K, 66 LPW 3000K, 65 LPW 2700K
Custom Cuttable	2.6"/6.5"
Colour Temperature	2700K, 3000K, 3500K, 4000K, 6500K
CRI	> 90 for white colour temperatures
Approvals	cETLus

PRODUCT CODES

20Ft spools

LP - 5060 - 30 - 24 - **YY** - H90 - 20FT

LED COLOUR

2700K
3000K
3500K
4000K
6500K

LP - 5060 - 30 - 24 - **YY** - 20FT

LED COLOUR

R - Red
A - Amber
G - Green
B - Blue

100Ft spools

LP - 5060 - 30 - 24 - **YY** - H90 - 100FT

LED COLOUR

2700K
3000K
3500K
4000K
6500K

LP - 5060 - 30 - 24 - **YY** - 100FT

LED COLOUR

R - Red
A - Amber
G - Green
B - Blue

Custom cuts

LP - 5060 - 30 - 24 - **YY** - H90 - **XX**

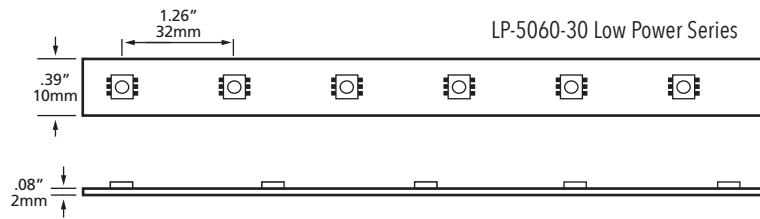
LED COLOUR

2700K
3000K
3500K
4000K
6500K

LP - 5060 - 30 - 24 - **YY** - **XX**

LED COLOUR

R - Red
A - Amber
G - Green
B - Blue



ACCESSORIES



LV-CN-A10
72" Power feed connector for single colour indoor. Add "-O" to code for opposite end, add "-CM" for through wall connections.

LV-CN-A10-12
12FT Power Feed Connector



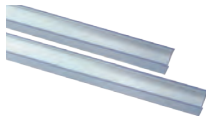
LV-CN-B10
In-line connector for single colour indoor



LV-CN-J10
5.9" (15cm)
LV-CN-J10-2
2"(5cm)
LV-CN-J10-2FT
2'(61cm)
LV-CN-J10-12FT
12'(3.65m)
In-line connector for single colour indoor



LMSII-001
Terminal block and junction box for connection to additional lengths of power cable if needed



VO-C10-8
Clear PVC mounting "U" channel



LV-CN-DC-6
DC connector for LED strip series with 6" wire and DC connector



LV-SPIR-1CH-LV
PIR Motion Sensor, 1 Channel, 24V DC
NOTE: To be used with non dimmable drivers only

NOTE: See page 34-35 for the complete range of aluminum extrusions.

INDOOR/OUTDOOR DIMMABLE DRIVERS

MLDRE-40-24-DM
Max recommended load 36W or 16' LED Strip,
min 8W or 4' LED Strip
6.77" x 2.67" x 1.26" (171 x 68 x 32mm)

MLDRE-96-24-DM
Max recommended load 90W or 40' LED Strip,
min 8W or 4' LED Strip
6.77" x 2.67" x 1.26" (171 x 68 x 32mm)

NON DIMMABLE DRIVERS

MLDR-120-24
Indoor/Outdoor driver
Max. recommended load 90W or 40' (12.1m) per single tap,
120W or 54' (16.46m) combined two secondary taps.
120W hardwire
Input: 100 - 240V AC
Output: 24V DC
10" x 3 3/8" x 3 3/16" (254 x 85.7 x 80.9mm)

MLDR-20-24JB
Indoor driver
Max recommended load 18W or 8' LED Strip
20W hardwire
Input: 100 - 240V AC
Output: 24V DC
4 1/8" x 4 1/8" x 1 1/2" (104.8 x 104.8 x 38.1mm)

NON DIMMABLE PLUG IN DRIVERS

MLDR-18-24P

MLDR-60-24P

HIGH DENSITY LED STRIP SERIES

High Power Indoor

Ideal for display cabinets needing high illumination.
Can be used as a wall grazer offering great vertical illumination.



HIGH DENSITY SINGLE COLOUR LP-3528-240 SERIES



FEATURES

- 1 Bin
- 2 Step MacAdam Ellipse
- 3oz PCB board
- 3M Adhesive
- 50,000 hours life
- High brightness 3528 Epistar LEDs
- Field cuttable
- Low power consumption
- Available in 16' (5m) and 100' (30.48m) spools (custom cuts available)
- 16' spools come with 6Ft pre-soldered power feeds
- Safe, 24V class 2 power supplies (sold separately)
- Fully dimmable with dimmable power supplies (sold separately)
- 6 year limited warranty

APPLICATIONS

- Aisle and stairway lighting
- Cabinet and cove lighting
- Back lighting
- Showcase lighting
- Linear decorative lighting

SPECIFICATIONS

Electrical	24V DC, 5.8 W/ft
LED Type	High Brightness 3528 Epistar LEDs
Viewing Angle	120°
LED Life	50,000 hours to 70% initial lumen output
LED Spacing	4.2mm
# of LEDs per foot (304mm)	72
Maximum Single Run	16'
Custom Cuttable	1" (25mm)
Lumen Output	514 Lumens per ft 6500K 468 Lumens per ft 4000K 450 Lumens per ft 3000K
Efficacy	88 LPW 6500K, 80 LPW 4000K, 77 LPW 3000K
Colour Temperature	3000K, 4000K, 6500K
CRI	> 90
Approvals	cETLus

PRODUCT CODES

16Ft spools
LP - 3528 - 240 - 24 - **YY** - H90 - 16FT

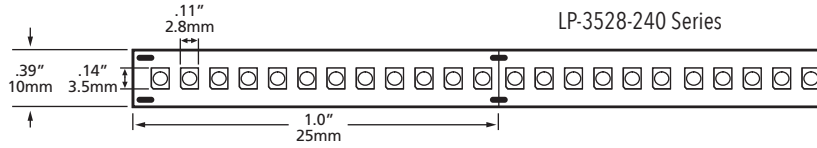
LED COLOUR
3000K
4000K
6500K

100Ft spools
LP - 3528 - 240 - 24 - **YY** - H90 - 100FT

LED COLOUR
3000K
4000K
6500K

Custom cuts
LP - 3528 - 240 - 24 - **YY** - H90 - XX

LED COLOUR
3000K
4000K
6500K



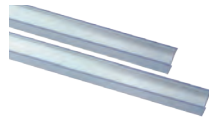
ACCESSORIES



LV-CN-A10-HD-HP
72" Power feed connector for high density indoor



LMSII-001
Terminal block and junction box for connection to additional lengths of power cable if needed



VO-C10-8
Clear PVC mounting "U" channel



LV-SPIR-1CH-LV
PIR Motion Sensor, 1 Channel, 24V DC
NOTE: To be used with non dimmable drivers only

NOTE: See page 34-35 for the complete range of aluminum extrusions.

INDOOR/OUTDOOR DIMMABLE DRIVERS

MLDRE-40-24-DM

Max recommended load 36W or 6' LED Strip,
min 8W or 2' LED Strip
6.77" x 2.67" x 1.26" (171 x 68 x 32mm)

MLDRE-96-24-DM

Max recommended load 90W or 16' LED Strip,
min 8W or 2' LED Strip
6.77" x 2.67" x 1.26" (171 x 68 x 32mm)

NON DIMMABLE DRIVERS

MLDR-120-24

Indoor/Outdoor driver
Max. recommended load 90W or 16' (4.8m) per single tap,
120W or 20' (6.1m) combined two secondary taps.
120W hardwire
Input: 100 - 240V AC
Output: 24V DC
10" x 3 3/8" x 3 3/16" (254 x 85.7 x 80.9mm)

MLDR-20-24JB

Indoor driver
Max recommended load 18W or 3' LED Strip
20W hardwire
Input: 100 - 240V AC
Output: 24V DC
4 1/8" x 4 1/8" x 1 1/2" (104.8 x 104.8 x 38.1mm)

HIGH DENSITY LED STRIP SERIES

Low Power Indoor

Suitable for display cabinets and applications needing lower but even illumination.



HIGH DENSITY SINGLE COLOUR LP-3528-120 SERIES



FEATURES

- 1 Bin
- 2 Step MacAdam Ellipse
- 3oz PCB board
- 3M Adhesive
- 50,000 hours life
- High brightness 3528 Epistar LEDs
- Field cuttable
- Low power consumption
- Available in 16' (5m) and 100' (30.48m) spools (custom cuts available)
- 16' spools come with 6Ft pre-soldered power feeds
- Safe, 24V class 2 power supplies (sold separately)
- Fully dimmable with dimmable power supplies (sold separately)
- 6 year limited warranty

APPLICATIONS

- Aisle and stairway lighting
- Cabinet and cove lighting
- Back lighting
- Showcase lighting
- Linear decorative lighting

SPECIFICATIONS

Electrical	24V DC, 2.9 W/ft
LED Type	High Brightness 3528 Epistar LEDs
Viewing Angle	120°
LED Life	50,000 hours to 70% initial lumen output
LED Spacing	8.3mm
# of LEDs per foot (304mm)	36
Maximum Single Run	31'
Custom Cuttable	2" (50mm)
Lumen Output	257 Lumens per ft 6500K 234 Lumens per ft 4000K 225 Lumens per ft 3000K
Efficacy	88 LPW 6500K, 80 LPW 4000K, 77 LPW 3000K
Colour Temperature	3000K, 4000K, 6500K
CRI	> 90
Approvals	cETLus

PRODUCT CODES

16Ft spools
LP - 3528 - 120 - 24 - **YY** - H90 - 16FT

LED COLOUR

- 3000K
- 4000K
- 6500K

100Ft spools
LP - 3528 - 120 - 24 - **YY** - H90 - 100FT

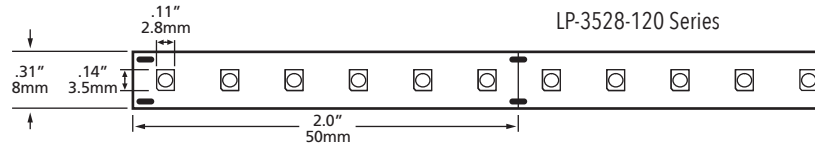
LED COLOUR

- 3000K
- 4000K
- 6500K

Custom cuts
LP - 3528 - 120 - 24 - **YY** - H90 - **XX**

LED COLOUR

- 3000K
- 4000K
- 6500K



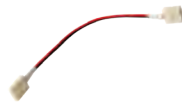
ACCESSORIES



LV-CN-A10-HD
72" Power feed connector for high density indoor.



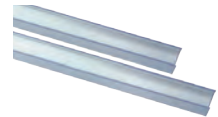
LV-CN-B10-HD
In-line connector for high density indoor



LV-CN-J10-HD
6" In-line connector for high density indoor



LMSII-001
Terminal block and junction box for connection to additional lengths of power cable if needed



VO-C10-8
Clear PVC mounting "U" channel



LV-SPIR-1CH-LV
PIR Motion Sensor, 1 Channel, 24V DC
NOTE: To be used with non dimmable drivers only

NOTE: See page 34-35 for the complete range of aluminum extrusions.

INDOOR/OUTDOOR DIMMABLE DRIVERS

MLDRE-40-24-DM
Max recommended load 36W or 12' LED Strip,
min 8W or 3' LED Strip
6.77" x 2.67" x 1.26" (171 x 68 x 32mm)

MLDRE-96-24-DM
Max recommended load 90W or 31' LED Strip,
min 8W or 3' LED Strip
6.77" x 2.67" x 1.26" (171 x 68 x 32mm)

NON DIMMABLE DRIVERS

MLDR-120-24
Indoor/Outdoor driver
Max. recommended load 90W or 31' (9.4m) per single tap,
120W or 41' (12.5m) combined two secondary taps.
120W hardwire
Input: 100 - 240V AC
Output: 24V DC
10" x 3 3/8" x 3 3/16" (254 x 85.7 x 80.9mm)

MLDR-20-24JB
Indoor driver
Max recommended load 18W or 6' LED Strip
20W hardwire
Input: 100 - 240V AC
Output: 24V DC
4 1/8" x 4 1/8" x 1 1/2" (104.8 x 104.8 x 38.1mm)

LED STRIP SERIES

High Efficacy, Indoor

Our highest lumen output for those applications needing high illumination and great color rendering.



FEATURES

- 1 Bin
- 2 Step MacAdam Ellipse
- 3oz PCB board
- 3M Adhesive
- 50,000 hours life
- Field cuttable every 1.3"
- Low power consumption
- Available in 16' (5m) and 100' (30.48m) spools (custom cuts available)
- 16' spools come with 6Ft pre-soldered power feeds
- Safe, 24V DC operation
- Fully dimmable with dimmable power supplies (sold separately)
- 6 years limited warranty

APPLICATIONS

- Aisle and stairway lighting
- Cabinet and cove lighting
- Back lighting
- Showcase lighting
- Linear decorative lighting

SPECIFICATIONS

Electrical	24V DC, 5.1W/FT
LED Type	High Brightness 2835 LEDs
Viewing Angle	120°
LED Life	50,000 hours
LED Spacing	4mm
# of LEDs per foot	73
Maximum single run	16'
Custom cuttable	33mm (1.3")
Lumen Output	586 Lumens per ft 6500K 540 Lumens per ft 4000K 527 Lumens per ft 3500K 513 Lumens per ft 3000K 508 Lumens per ft 2700K
Efficacy	115 LPW 6500K, 106 LPW 4000K, 103 LPW 3500K, 100LPW 3000K, 99 LPW 2700K
Colour Temperature	2700K, 3000K, 3500K, 4000K, 6500K
CRI	>90
Approvals	cETLus

PRODUCT CODES

16Ft spools

LP - 2835 - 240 - **YY** - HE - H90 - 16FT

LED Strip Series
High Efficacy,
Indoor

LED COLOUR
2700K
3000K
3500K
4000K
6500K

100Ft spools

LP - 2835 - 240 - **YY** - HE - H90 - 100FT

LED Strip Series
High Efficacy,
Indoor

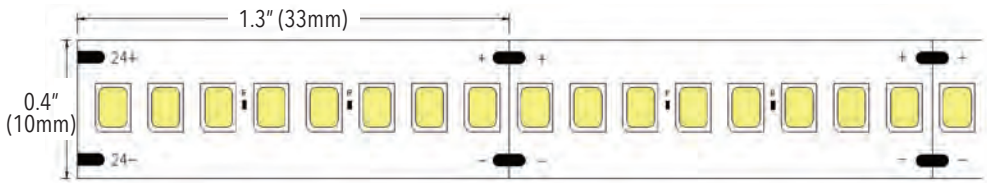
LED COLOUR
2700K
3000K
3500K
4000K
6500K

Custom cuts

LP - 2835 - 240 - **YY** - HE - H90 - **XX**

LED Strip Series
High Efficacy,
Indoor

LED COLOUR
2700K
3000K
3500K
4000K
6500K



ACCESSORIES



LV-CN-A10-HD-HP
72" Power feed connector for high density indoor



LMSII-001
Terminal block and junction box for connection to additional lengths of power cable if needed



VO-C10-8
Clear PVC mounting "U" channel



LV-SPIR-1CH-LV
PIR Motion Sensor, 1 Channel, 24V DC
NOTE: To be used with non dimmable drivers only

NOTE: See page 34-35 for the complete range of aluminum extrusions.

INDOOR/OUTDOOR DIMMABLE DRIVERS

MLDRE-40-24-DM

Max 7' (2.1m)
Min 8 Watts, 1.5'(0.45M) LED High Efficacy Strip
6.77" x 2.67" x 1.26" (171 x 68 x 32mm)

MLDRE-96-24-DM

Max 17.6' (5.3m)
Min 8 Watts, 1.5'(0.45m) LED High Efficacy Strip
6.77" x 2.67" x 1.26" (171 x 68 x 32mm)

NON DIMMABLE DRIVERS

MLDR-120-24

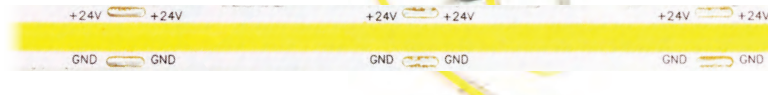
Indoor/Outdoor driver
Max 17.6 (5.3m) per single tap
Max 23' (7m) combined 2 secondary taps
Input: 100 - 240V AC
Output: 24V DC
10" x 3 3/8" x 3 3/16" (254 x 85.7 x 80.9mm)

MLDR-20-24JB

Indoor driver
Max recommended load 18W 3.6'(1.1m) LED High Efficacy Strip
Input: 100 - 240V AC
Output: 24V DC
20 Watts
4 1/8" x 4 1/8" x 1 1/2" (104.8 x 104.8 x 38.1mm)

LED STRIP SERIES COB, Indoor

Offers both performance and superior even illumination suitable for commercial, retail and residential applications.



FEATURES

- 1 Bin
- 2 Step MacAdam Ellipse
- 3oz PCB board
- 3M Adhesive
- 50,000 hours life
- Field cuttable every 50mm (2")
- Low power consumption
- Smooth luminance - no hot spots
- Available in 20' (6.1m) and 100' (30.48m) spools (custom cuts available)
- 20' spools come with 6Ft pre-soldered power feeds
- Safe, 24V DC operation
- Fully dimmable with dimmable power supplies (sold separately)
- 6 years limited warranty

APPLICATIONS

- Aisle and stairway lighting
- Cabinet and cove lighting
- Back lighting
- Showcase lighting
- Linear decorative lighting

SPECIFICATIONS

Electrical	24V DC, 4.2W/FT
LED Type	High Brightness LEDs
Viewing Angle	120°
LED Life	50,000 hours
LED Spacing	2mm
# of LEDs per foot	91
Maximum single run	20'
Custom cuttable	50mm (2")
Lumen Output	374 Lumens per ft 6500K 336 Lumens per ft 4000K 328 Lumens per ft 3500K 319 Lumens per ft 3000K 315 Lumens per ft 2700K
Efficacy	89 LPW 6500K, 80 LPW 4000K, 78 LPW 3500K, 76 LPW 3000K, 75 LPW 2700K
Colour Temperature	2700K, 3000K, 3500K, 4000K, 6500K
CRI	> 90 for white colour temperatures
Approvals	cETLus

PRODUCT CODES

20Ft spools

LP - COB - 378 - 24 - YY - H90 - 20FT

**LED Strip Series
COB, Indoor**

LED COLOUR
2700K
3000K
3500K
4000K
6500K

100Ft spools

LP - COB - 378 - 24 - YY - H90 - 100FT

**LED Strip Series
COB, Indoor**

LED COLOUR
2700K
3000K
3500K
4000K
6500K

Custom cuts

LP - COB - 378 - 24 - YY - H90 - XX

**LED Strip Series
COB, Indoor**

LED COLOUR
2700K
3000K
3500K
4000K
6500K

LP - COB - 378 - 24 - YY - 20FT

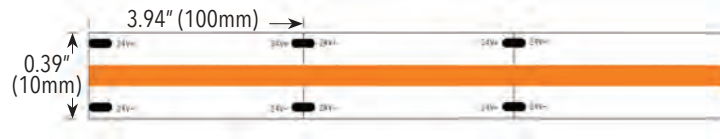
LED COLOUR
RD - Red
AM - Amber
GR - Green
BL - Blue

LP - COB - 378 - 24 - YY - 100FT

LED COLOUR
RD - Red
AM - Amber
GR - Green
BL - Blue

LP - COB - 378 - 24 - YY - XX

LED COLOUR
RD - Red
AM - Amber
GR - Green
BL - Blue



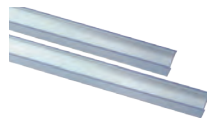
ACCESSORIES



LV-CN-A10-HD-HP
72" Power feed connector for high density indoor



LMSII-001
Terminal block and junction box for connection to additional lengths of power cable if needed



VO-C10-8
Clear PVC mounting "U" channel



LV-SPIR-1CH-LV
PIR Motion Sensor, 1 Channel, 24V DC
NOTE: To be used with non dimmable drivers only

NOTE: See page 34-35 for the complete range of aluminum extrusions.

INDOOR/OUTDOOR DIMMABLE DRIVERS

MLDRE-40-24-DM

Max 8.6' (2.6m)
Min 8 Watts, 1.9'(0.57m) LED COB Strip
6.77" x 2.67" x 1.26" (171 x 68 x 32mm)

MLDRE-96-24-DM

Max 21.4' (6.5m)
Min 8 Watts, 1.9'(0.57m) LED COB Strip
6.77" x 2.67" x 1.26" (171 x 68 x 32mm)

NON DIMMABLE DRIVERS

MLDR-120-24

Indoor/Outdoor driver
Max 21.4' (6.5m) per single tap
Max 28' (8.5m) combined 2 secondary taps
Input: 100 - 240V AC
Output: 24V DC
10" x 3 3/8" x 3 3/16" (254 x 85.7 x 80.9mm)

MLDR-20-24JB

Indoor driver
Max recommended load 18W 4.3' (1.3m)
Input: 100 - 240V AC
Output: 24V DC
20 Watts
4 1/8" x 4 1/8" x 1 1/2" (104.8 x 104.8 x 38.1mm)

LED STRIP SERIES

Dim to Warm

Suitable for both hospitality and residential applications creating an inviting atmosphere.



FEATURES

- 1 Bin
- 2 Step MacAdam Ellipse
- 3oz PCB board
- 3M Adhesive
- 50,000 hours life
- Field cuttable every 50mm (2")
- Low power consumption
- Auto Warm-dim technology
- Available in 16' (5m) and 100' (30.48m) spools (custom cuts available)
- 16' spools come with 6Ft pre-soldered power feeds
- Safe, 24V DC operation
- Dim-to-warm: 1800k to 3000K
- No special controllers required
- 6 years limited warranty

APPLICATIONS

- Aisle and stairway lighting
- Cabinet and cove lighting
- Back lighting
- Showcase lighting
- Linear decorative lighting

PRODUCT CODES

16Ft spools

LP - 2835 - DIM - WW - H90 - 16FT

100Ft spools

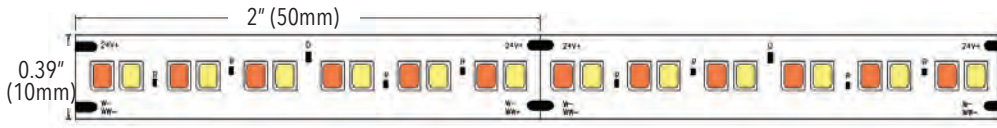
LP - 2835 - DIM - WW - H90 - 100FT

Custom cuts

LP - 2835 - DIM - WW - H90 - XX

SPECIFICATIONS

Electrical	24V DC, 5.5W/FT
LED Type	Epistar
Viewing Angle	120°
LED Life	50,000 hours
# of LEDs per foot	240
Maximum single run	16'
Custom cuttable	50mm (2")
Lumen Output	449LM/FT
Colour Temperature	1800K-3000K
CRI	>90
Approvals	cETLus



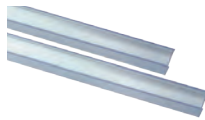
ACCESSORIES



LV-CN-A10-HD-HP
72" Power feed connector
for high density indoor



LMSII-001
Terminal block and junction
box for connection to
additional lengths of power
cable if needed



VO-C10-8
Clear PVC mounting
"U" channel

NOTE: See page 34-35 for the complete range of aluminum extrusions.

INDOOR/OUTDOOR DIMMABLE DRIVERS

MLDRE-40-24-DM

Max 6.5' (1.98m)
Min 8 Watts, 1.45' (0.44m)
6.77" x 2.67" x 1.26" (171 x 68 x 32mm)

MLDRE-96-24-DM

Max 16' (5m)
Min 8 Watts, 1.45' (0.44m)
6.77" x 2.67" x 1.26" (171 x 68 x 32mm)

LED STRIP SERIES

High Power RGB Indoor

Excellent choice for dynamic environments such as cinemas, retail and hospitality needing higher illumination.



HIGH POWER RGB LP-5060-60-RGB SERIES



FEATURES

- 50,000 hours life
- High brightness 5060 SMD LEDs
- Field cuttable
- Low power consumption
- Available in 20' (6.1m) and 100' (30.48m) spools (custom cuts available)
- 20' spools come with 6 ft. pre-soldered power feeds
- Safe, 24V class 2 power supplies (sold separately)
- Controllers sold separately
- 6 year limited warranty

APPLICATIONS

- Aisle and stairway lighting
- Cabinet and cove lighting
- Back lighting
- Showcase lighting
- Linear decorative lighting

PRODUCT CODES

20Ft spools

LP - 5060 - 60 - 24 - RGB - 20FT

100Ft spools

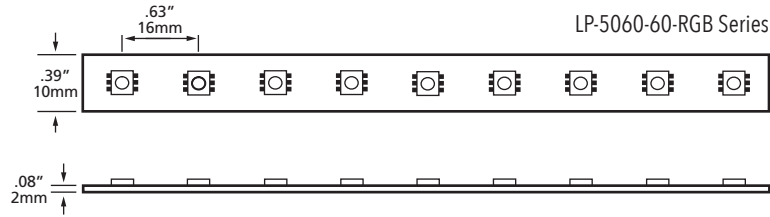
LP - 5060 - 60 - 24 - RGB - 100FT

Custom cuts

LP - 5060 - 60 - 24 - RGB - XX

SPECIFICATIONS

Electrical	24V DC, 4.3W/ft
LED Type	High Brightness 5060 SMD LEDs
Viewing Angle	120°
LED Life	50,000 hours to 70% initial lumen output
LED Spacing	16mm
# of LEDs per foot (304mm)	18
Maximum Single Run	20'
Custom Cuttable	4"
Approvals	cETLus



ACCESSORIES



LV-CN-C10
72" Power feed connector for RGB indoor. Add "-O" for opposite end.



LV-CN-D10
In-line connector for RGB indoor



LV-CN-O10
6" In-line connector for RGB indoor
LV-CN-O10-2
2" In-line connector for RGB indoor



VO-C10-8
Clear PVC mounting "U" channel



LT-095-RF
6 Key RGB "touch" controller 12/24V DC



LN-CON-WIFI-3CH-XV
WiFi controller for RGB, c/w RF remote 12/24VDC

LT-390A
Signal amplifier for RGB

NOTE: See page 34-35 for the complete range of aluminum extrusions.

NON DIMMABLE DRIVERS

MLDR-120-24

Indoor/Outdoor driver
Max. recommended load 90W or 20' (6.1m) per single tap, 120W or 27' (8.23m) combined two secondary taps.
120W hardwire
Input: 100 - 240V AC
Output: 24V DC
10" x 3 3/8" x 3 3/16" (254 x 85.7 x 80.9mm)

MLDR-20-24JB

Indoor driver
Max recommended load 18W or 4' LED Strip
20W hardwire
Input: 100 - 240V AC
Output: 24V DC
4 1/8" x 4 1/8" x 1 1/2" (104.8 x 104.8 x 38.1mm)

LED STRIP SERIES

Low Power RGB Indoor

For more subtle approaches within entertainment venues and restaurants.



LOW POWER RGB LP-5060-30-RGB SERIES



FEATURES

- 50,000 hours life
- High brightness 5060 SMD LEDs
- Field cuttable
- Low power consumption
- Available in 20' (6.1m) and 100' (30.48m) spools (custom cuts available)
- 20' spools come with 6 ft. pre-soldered power feeds
- Safe, 24V class 2 power supplies (sold separately)
- 6 year limited warranty

APPLICATIONS

- Aisle and stairway lighting
- Cabinet and cove lighting
- Back lighting
- Showcase lighting
- Linear decorative lighting

PRODUCT CODES

20Ft spools

LP - 5060 - 30 - 24 - RGB - 20FT

100Ft spools

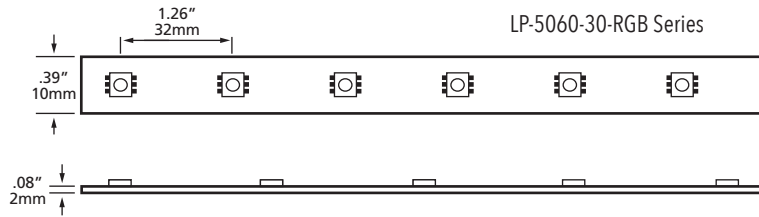
LP - 5060 - 30 - 24 - RGB - 100FT

Custom cuts

LP - 5060 - 30 - 24 - RGB - XX

SPECIFICATIONS

Electrical	24V DC, 2.2W/ft
LED Type	High Brightness 5060 SMD LEDs
Viewing Angle	120°
LED Life	50,000 hours to 70% initial lumen output
LED Spacing	32mm
# of LEDs per foot (304mm)	9
Maximum Single Run	40'
Custom Cuttable	6.5"
Approvals	cETLus



ACCESSORIES



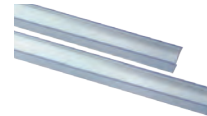
LV-CN-C10
72" Power feed connector for RGB indoor. Add "-O" for opposite end.



LV-CN-D10
In-line connector for RGB indoor



LV-CN-O10
6" In-line connector for RGB indoor
LV-CN-O10-2
2" In-line connector for RGB indoor



VO-C10-8
Clear PVC mounting "U" channel



LT-09S-RF
6 Key RGB "touch" controller 12/24V DC



LN-CON-WIFI-3CH-XV
WiFi controller for RGB, c/w RF remote 12/24VDC



LT-390A
Signal amplifier for RGB

NOTE: See page 34-35 for the complete range of aluminum extrusions.

NON DIMMABLE DRIVERS

MLDR-120-24

Indoor/Outdoor driver
Max. recommended load 90W or 40' (12.1m) per single tap, 120W or 54' (16.46m) combined two secondary taps.
120W hardwire
Input: 100 - 240V AC
Output: 24V DC
10" x 3 3/8" x 3 3/16" (254 x 85.7 x 80.9mm)

MLDR-20-24JB

Indoor driver
Max recommended load 18W or 8' LED Strip
20W hardwire
Input: 100 - 240V AC
Output: 24V DC
4 1/8" x 4 1/8" x 1 1/2" (104.8 x 104.8 x 38.1mm)

LED STRIP SERIES

High Power RGBW Indoor

Offers dynamic range of colour and dedicated white for greater versatility suitable for all market segments.



HIGH POWER RGB LP-5050-60-RGBW SERIES



FEATURES

- 50,000 hours life
- High brightness 5050 SMD LEDs
- Field cuttable
- Low power consumption
- Available in 20' (6.1m) and 100' (30.48m) spools (custom cuts available)
- RGB colour change plus 3000K, 4000K and 6500K colour temperatures
- 20' spools come with 6 ft. pre-soldered power feeds
- Safe, 24V class 2 power supplies (sold separately)
- 6 year limited warranty

APPLICATIONS

- Aisle and stairway lighting
- Cabinet and cove lighting
- Back lighting
- Showcase lighting
- Linear decorative lighting

PRODUCT CODES

20Ft spools

LP - 5050 - 60 - 24 - RGBYY - H90 - 20FT

LED COLOUR

- 3000K
- 4000K
- 6500K

100Ft spools

LP - 5050 - 60 - 24 - RGBYY - H90 - 100FT

LED COLOUR

- 3000K
- 4000K
- 6500K

Custom cuts

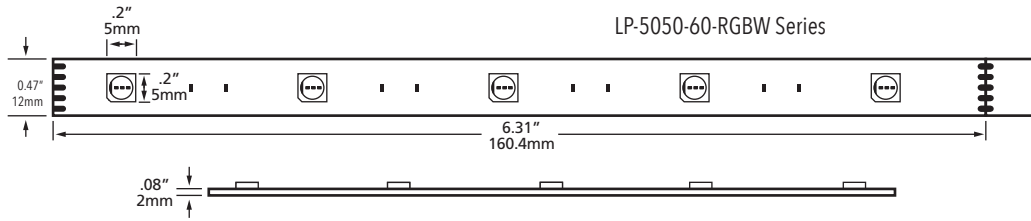
LP - 5050 - 60 - 24 - RGBYY - H90 - **XX**

LED COLOUR

- 3000K
- 4000K
- 6500K

SPECIFICATIONS

Electrical	24V DC, 4.3W/ft
LED Type	High Brightness 5050 SMD LEDs
Viewing Angle	120°
LED Life	50,000 hours to 70% initial lumen output
LED Spacing	16mm
# of LEDs per foot (304mm)	18
Maximum Single Run	20'
Custom Cuttable	4"
CRI	> 90 for white colour temperatures
Approvals	cETLus



ACCESSORIES



LV-CN-A12-RGBW-6FT
72" Power feed connector for RGBW indoor
LV-CN-A12-RGBW-12FT
144" Power feed connector for RGBW indoor



LV-CN-B12-RGBW
In-line connector for RGBW indoor



LV-CN-J12-RGBW
6" In-line connector for RGBW indoor



LT-115-RF
RGBW controller



LT-490A
RGBW signal amplifier
NOTE: Network cable with RJ45 connectors required (not supplied)

NOTE: See page 34-35 for the complete range of aluminum extrusions.

NON DIMMABLE DRIVERS

MLDR-120-24

Indoor/Outdoor driver
Max. recommended load 90W or 20' (6.1m) per single tap, 120W or 27' (8.23m) combined two secondary taps.
120W hardwire
Input: 100 - 240V AC
Output: 24V DC
10" x 3 3/8" x 3 3/16" (254 x 85.7 x 80.9mm)

MLDR-20-24JB

Indoor driver
Max recommended load 18W or 4' LED Strip
20W hardwire
Input: 100 - 240V AC
Output: 24V DC
4 1/8" x 4 1/8" x 1 1/2" (104.8 x 104.8 x 38.1mm)

LED STRIP SERIES CCT Indoor

Where applications demand a greater dynamic range within the White Light Spectrum. Hospitality, retail, residential and commercial.



CCT COLOUR TEMP ADJUST SERIES



FEATURES

- 50,000 hours life
- High brightness 3528 SMD LEDs
- Field cuttable
- Low power consumption
- Available in 16' (5M) spools
- 16' spools come with 6 ft. pre-soldered power feeds
- Safe, 24V class 2 power supplies (sold separately)
- Controller sold separately
- 6 year limited warranty

APPLICATIONS

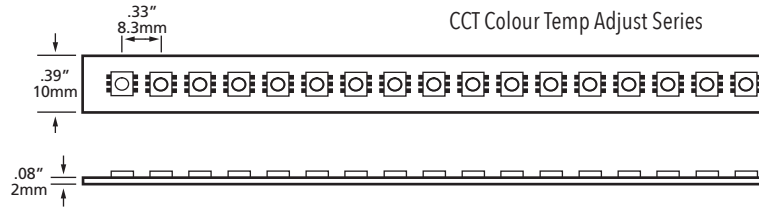
- Aisle and stairway lighting
- Cabinet and cove lighting
- Back lighting
- Showcase lighting
- Linear decorative lighting

PRODUCT CODES

LP - 3528CCT - 24 - H90 - 16FT

SPECIFICATIONS

Electrical	24V DC, 5.8W/ft
LED Type	High Brightness 3528 SMD LEDs
Viewing Angle	120°
LED Life	50,000 hours to 70% initial lumen output
LED Spacing	8.3mm
# of LEDs per foot (304mm)	36
Maximum Single Run	16'
Lumen Output	383 Lumens per ft 7000K 261 Lumens per ft 3000K
Efficacy	66LPW 7000K 45LPW 3000K
Colour Temperature	2500K-7000K
Custom Cuttable	2"
CRI	> 90
Approvals	cETLus



ACCESSORIES



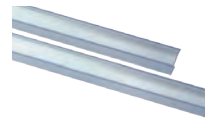
LV-CN-A10-CCT
72" Power feed connector for CCT indoor. Add "-O" for opposite end.



LV-CN-B10-CCT
In-line connector for CCT series indoor



LV-CN-J10-CCT
6" (15cm) in line connector



VO-C10-8
Clear PVC mounting "U" channel



LT-031-RF
6 Key CCT Adjustable "touch" controller 12/24V DC



LT-290A
CCT signal amplifier

NOTE: See page 34-35 for the complete range of aluminum extrusions.

NON DIMMABLE DRIVERS

MLDR-120-24

Indoor/Outdoor driver
16' (4.88m) per single tap, 20' (6.1m) combined two secondary taps.
120W hardwire
Input: 100 - 240V AC
Output: 24V DC
10" x 3 3/8" x 3 3/16" (254 x 85.7 x 80.9mm)

MLDR-20-24JB

Indoor driver
Max recommended load 18W or 3' LED Strip
20W hardwire
Input: 100 - 240V AC
Output: 24V DC
4 1/8" x 4 1/8" x 1 1/2" (104.8 x 104.8 x 38.1mm)

LED STRIP SERIES

High Power Outdoor

Exterior rated suitable for those commercial, retail and hospitality applications requiring higher illumination.



HIGH POWER SINGLE COLOUR LP-5060-60-OD SERIES



FEATURES

- 1 Bin
- 2 Step MacAdam Ellipse
- 3oz PCB board
- 3M Adhesive
- 50,000 hours life
- High brightness 5060 SMD LEDs
- Field cuttable
- Low power consumption
- Available in 20' (6.1m) spools
- Safe, 24V class 2 power supplies (sold separately)
- Fully dimmable with dimmable power supplies (sold separately)
- 6 year limited warranty

APPLICATIONS

- Aisle and stairway lighting
- Cabinet and cove lighting
- Back lighting
- Showcase lighting
- Linear decorative lighting

PRODUCT CODES

LP - 5060 - 60 - 240D - **YY** - H90 - 20FT

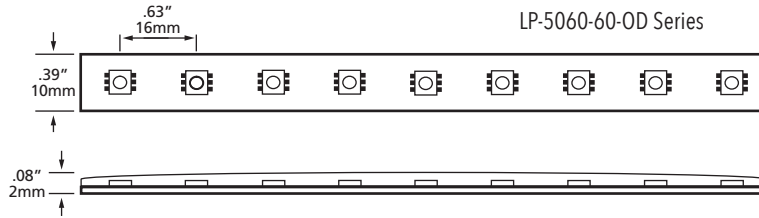
LED COLOUR

2700K
3000K
3500K
4000K
6500K

SPECIFICATIONS

Electrical	24V DC, 4.3W/ft
LED Type	High Brightness 5060 SMD LEDs
Viewing Angle	120°
LED Life	50,000 hours to 70% initial lumen output
LED Spacing	16mm
# of LEDs per foot (304mm)	18
Maximum Single Run	20'
Custom Cuttable	4"
Lumen Output	325 Lumens per ft 6500K 300 Lumens per ft 4000K 293 Lumens per ft 3500K 285 Lumens per ft 3000K 280 Lumens per ft 2700K
Efficacy	75 LPW 6500K, 70 LPW 4000K, 68 LPW 3500K, 66 LPW 3000K, 65 LPW 2700K
Colour Temperature	2700K, 3000K, 3500K, 4000K, 6500K
CRI	> 90
Approvals	cETLus

NOTE: Outdoor Strip Series comes with liquid-tight connectors pre-installed on both ends, so it is necessary to make the cuts starting from extremities. Cut pieces can be terminated, but not joined together.



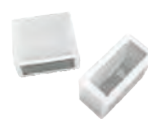
ACCESSORIES



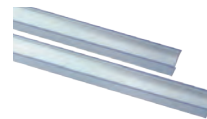
LV-CN-G2
72" Power feed connector for single colour outdoor



LV-FS-MC-004
Mounting clips



LV-FS-EC-001
End caps



VO-C10-8
Clear PVC mounting "U" channel

NOTE: See page 34-35 for the complete range of aluminum extrusions.

INDOOR/OUTDOOR DIMMABLE DRIVERS

MLDRE-40-24-DM

Max recommended load 36W or 8' LED Strip,
min 8W or 2' LED Strip
6.77" x 2.67" x 1.26" (171 x 68 x 32mm)

MLDRE-96-24-DM

Max recommended load 90W or 20' LED Strip,
min 8W or 2' LED Strip
6.77" x 2.67" x 1.26" (171 x 68 x 32mm)

NOTE: For outdoor installations, please add E-KO-SR strain relief (2pcs/driver).

NON DIMMABLE DRIVERS

MLDR-120-24

Indoor/Outdoor driver
Max. recommended load 90W or 20' (6.1m) per single tap,
120W or 27' (8.23m) combined two secondary taps.
120W hardwire
Input: 100 - 240V AC
Output: 24V DC
10" x 3 3/8" x 3 3/16" (254 x 85.7 x 80.9mm)

LED STRIP SERIES

Low Power Outdoor

This exterior rated tape offers more subtle illumination approach for commercial, hospitality and residential use.



LOW POWER SINGLE COLOUR LP-5060-30-OD SERIES



FEATURES

- 1 Bin
- 2 Step MacAdam Ellipse
- 3oz PCB board
- 3M Adhesive
- 50,000 hours life
- High brightness 5060 SMD LEDs
- Field cuttable
- Low power consumption
- Available in 20' (6.1m) spools
- Safe, 24V class 2 power supplies (sold separately)
- Fully dimmable with dimmable power supplies (sold separately)
- 6 year limited warranty

APPLICATIONS

- Aisle and stairway lighting
- Cabinet and cove lighting
- Back lighting
- Showcase lighting
- Linear decorative lighting

PRODUCT CODES

LP - 5060 - 30 - 240D - **YY** - H90 - 20FT

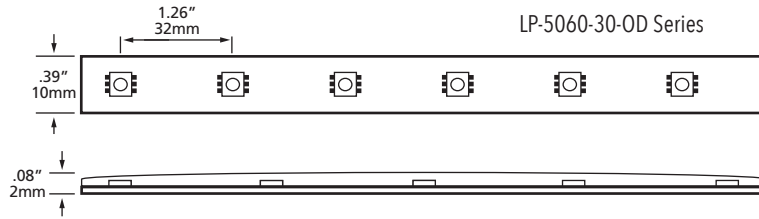
LED COLOUR

- 2700K
- 3000K
- 3500K
- 4000K
- 6500K

SPECIFICATIONS

Electrical	24V DC, 2.2W/ft
LED Type	High Brightness 5060 SMD LEDs
Viewing Angle	120°
LED Life	50,000 hours to 70% initial lumen output
LED Spacing	32mm
# of LEDs per foot (304mm)	9
Maximum Single Run	40'
Custom Cuttable	2.6"
Lumen Output	165 Lumens per ft 6500K 150 Lumens per ft 4000K 148 Lumens per ft 3500K 145 Lumens per ft 3000K 143 Lumens per ft 2700K
Efficacy	75 LPW 6500K, 68 LPW 4000K, 67 LPW 3500K, 66 LPW 3000K, 65 LPW 2700K
Colour Temperature	2700K, 3000K, 3500K, 4000K, 6500K
CRI	> 90
Approvals	cETLus

NOTE: Outdoor Strip Series comes with liquid-tight connectors pre-installed on both ends, so it is necessary to make the cuts starting from extremities. Cut pieces can be terminated, but not joined together.



ACCESSORIES



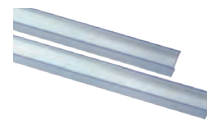
LV-CN-G2
72" Power feed connector
for single colour outdoor



LV-FS-MC-004
Mounting clips



LV-FS-EC-001
End caps



VO-C10-8
Clear PVC mounting
"U" channel

NOTE: See page 34-35 for the complete range of aluminum extrusions.

INDOOR/OUTDOOR DIMMABLE DRIVERS

MLDRE-40-24-DM

Max recommended load 36W or 16' LED Strip,
min 8W or 2' LED Strip
6.77" x 2.67" x 1.26" (171 x 68 x 32mm)

MLDRE-96-24-DM

Max recommended load 90W or 40' LED Strip,
min 8W or 2' LED Strip
6.77" x 2.67" x 1.26" (171 x 68 x 32mm)

NOTE: For outdoor installations, please add E-KO-SR strain relief (2pcs/driver).

NON DIMMABLE DRIVERS

MLDR-120-24

Indoor/Outdoor driver
Max. recommended load 90W or 40' (12.1m) per single tap,
120W or 54' (16.46m) combined two secondary taps.
120W hardwire
Input: 100 - 240V AC
Output: 24V DC
10" x 3 3/8" x 3 3/16" (254 x 85.7 x 80.9mm)

LED STRIP SERIES

High Power RGB Outdoor

Great for enhancing outdoor spaces with a dynamic look. Suitable for hospitality, retail and commercial environments.



HIGH POWER RGB OUTDOOR LP-5060-60-240D-RGB SERIES



FEATURES

- 50,000 hours life
- High brightness 5060 SMD LEDs
- Field cuttable
- Low power consumption
- Available in 20' (6.1m) spools
- Safe, 24V class 2 power supplies (sold separately)
- 6 year limited warranty

APPLICATIONS

- Aisle and stairway lighting
- Cabinet and cove lighting
- Back lighting
- Showcase lighting
- Linear decorative lighting

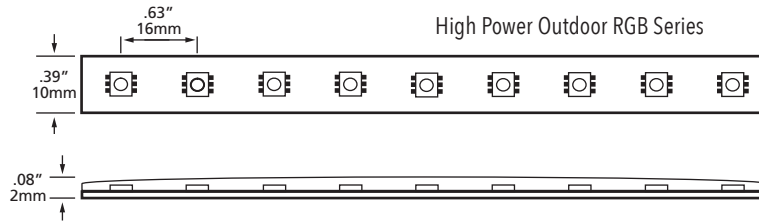
PRODUCT CODES

LP - 5060 - 60 - 240D - RGB - 20FT

SPECIFICATIONS

Electrical	24V DC, 4.3W/ft
LED Type	High Brightness 5060 SMD LEDs
Viewing Angle	120°
LED Life	50,000 hours to 70% initial lumen output
LED Spacing	16mm
# of LEDs per foot (304mm)	18
Maximum Single Run	20'
Custom Cuttable	4"
Approvals	cETLus

NOTE: Outdoor Strip Series comes with liquid-tight connectors pre-installed on both ends, so it is necessary to make the cuts starting from extremities. Cut pieces can be terminated, but not joined together.



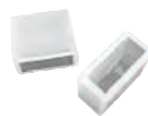
ACCESSORIES



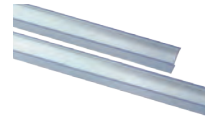
LV-CN-G4
72" Power feed connector
for RGB outdoor



LV-FS-MC-004
Mounting clips



LV-FS-EC-001
End caps



VO-C10-8
Clear PVC mounting
"U" channel



LT-09S-RF
6 Key RGB "touch" controller
12/24V DC



LN-CON-WIFI-3CH-XV
WiFi controller for RGB,
c/w RF remote 12/24VDC



LV-ZJFFS-3CH-6INW
Outdoor RGB signal
amplifier

NOTE: See page 34-35 for the complete range of aluminum extrusions.

NON DIMMABLE DRIVERS

MLDR-120-24

Indoor/Outdoor driver
Max. recommended load 90W or 20' (6.1m) per single tap,
120W or 27' (8.23m) combined two secondary taps.
120W hardwire
Input: 100 - 240V AC
Output: 24V DC
10" x 3 3/8" x 3 3/16" (254 x 85.7 x 80.9mm)

LED STRIP SERIES

Low Power RGB Outdoor

For those exterior applications requiring a dynamic but subtle approach. Suitable for residential, hospitality, commercial and retail.



LOW POWER RGB LP-5060-30-240D-RGB SERIES



FEATURES

- 50,000 hours life
- High brightness 5060 SMD LEDs
- Field cuttable
- Low power consumption
- Available in 20' (6.1m) spools
- Safe, 24V class 2 power supplies (sold separately)
- 6 year limited warranty

APPLICATIONS

- Aisle and stairway lighting
- Cabinet and cove lighting
- Back lighting
- Showcase lighting
- Linear decorative lighting

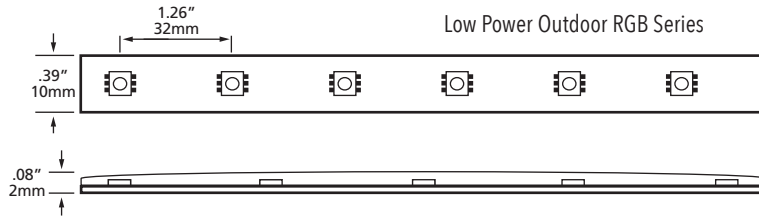
PRODUCT CODES

LP - 5060 - 30 - 240D - RGB - 20FT

SPECIFICATIONS

Electrical	24V DC, 2.2 W/ft
LED Type	High Brightness 5060 SMD LEDs
Viewing Angle	120°
LED Life	50,000 hours to 70% initial lumen output
LED Spacing	32mm
# of LEDs per foot (304mm)	9
Maximum Single Run	40'
Custom Cuttable	6.5"
Approvals	cETLus

NOTE: Outdoor Strip Series comes with liquid-tight connectors pre-installed on both ends, so it is necessary to make the cuts starting from extremities. Cut pieces can be terminated, but not joined together.



ACCESSORIES



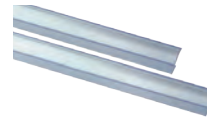
LV-CN-G4
7/2" Power feed connector for RGB outdoor



LV-FS-MC-004
Mounting clips



LV-FS-EC-001
End caps



VO-C10-8
Clear PVC mounting "U" channel



LT-09S-RF
6 Key RGB "touch" controller 12/24V DC



LN-CON-WIFI-3CH-XV
WiFi controller for RGB, c/w RF remote 12/24VDC



LV-ZJFFS-3CH-6INW
Outdoor RGB signal amplifier

NOTE: See page 34-35 for the complete range of aluminum extrusions.

NON DIMMABLE DRIVERS

MLDR-120-24

Indoor/Outdoor driver
 Max. recommended load 90W or 40' (12.1m) per single tap,
 120W or 54' (16.46m) combined two secondary taps.
 120W hardwire
 Input: 100 - 240V AC
 Output: 24V DC
 10" x 3 3/8" x 3 3/16" (254 x 85.7 x 80.9mm)

LED Strip Series Extrusions

LV-LB-D3-FR

Surface mount aluminum extrusion and frosted PC cover

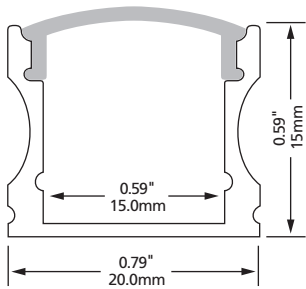


End Caps

LV-D1/D3-EC (2/bag)
LV-D1/D3-EC-WF (2/bag)

Mounting Clips

LV-D1/D3-MC (6/bag)



NOTE: available in 1M (39") and 2M (78") lengths.

LV-ALP2208

Surface mount aluminum extrusion and frosted PC cover

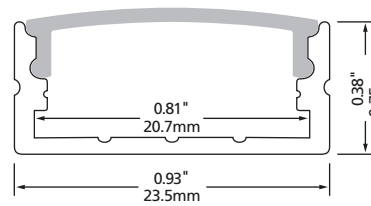


End Caps

LV-ALP2208-EC (2/bag)
LV-ALP2208-EC-WF (2/bag)

Mounting Clips

LV-ALP2208-MC (2/bag)



NOTE: available in 1M (39") lengths.

LV-ALP007

Surface mount aluminum extrusion and frosted PC cover

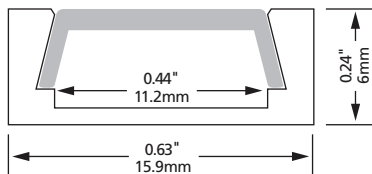


End Caps

LV-ALP007-EC (2/bag)
LV-ALP007-EC-WF (2/bag)

Mounting Clips

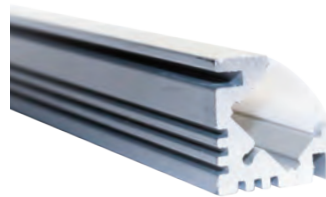
LV-ALP007-MC (6/bag)



NOTE: available in 1M (39") and 2M (78") lengths.

LV-LB-V3-FR

Corner surface mounted aluminum extrusion and frosted PC cover

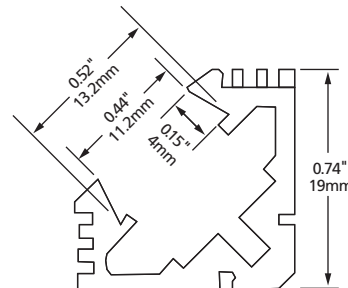


End Caps

LV-V1/V3-EC (2/bag)
LV-V1/V3-EC-WF (2/bag)

Mounting Clips

LV-V1/V3-MC (6/bag)



NOTE: available in 1M (39") lengths.

LV-LB-W3-FR

Recessed aluminum extrusion and frosted PC cover

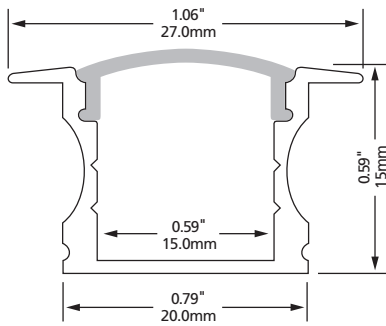


End Caps

LV-W1/W3-EC (2/bag)
LV-W1/W3-EC-WF (2/bag)

Mounting Clips

LV-W1/W3-MC (6/bag)



NOTE: available in 1M (39") lengths.

LV-ALP2908

Recessed aluminum extrusion and frosted PC cover

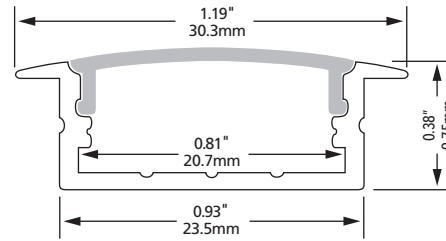


End Caps

LV-ALP2908-EC (2/bag)
LV-ALP2908-EC-WF (2/bag)

Mounting Clips

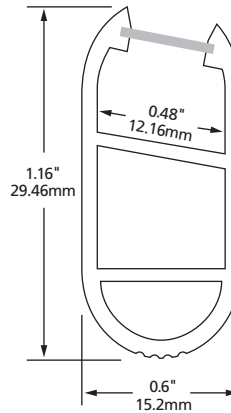
LV-ALP2908-MC (2/bag)



NOTE: available in 1M (39") lengths.

LV-1401

Closet aluminum extrusion with mounting brackets and frosted PC cover



1M (39") extrusion ships complete with two mounting end caps and one support bracket

LED eStrip

LED eStrip is our most versatile linear lighting product. Now with 3014 type LEDs, LED eSTRIP is brighter and better than ever!



FEATURES

- 40,000 hours life
- Safe low voltage (24V)
- Virtually maintenance free
- Ultra low power consumption
- Available in 90' spools (custom cuts available)
- Crushproof to 100psi
- Field cuttable
- Inter-connectable
- Highly flexible (min. bend radius 1.5")
- Indoor/outdoor use
- Impact resistant
- Six brilliant colours
- Dimmable
- 2 year limited warranty

APPLICATIONS

- Building outlines
- Coves
- Stairway and aisle lighting
- Signage
- Backlit panels
- Decks
- Edgelit glow
- Emergency lighting
- Pathway lighting
- Billboards
- Highlighting architectural features
- Over/Under cabinets

PRODUCT CODES

90Ft spools

MLS - **ESTRIP** - **YY** - 1 - 24 - 90FT

LED eSTRIP

LED COLOUR

- 3000K
- 5800K
- AM** - Amber
- BL** - Blue
- PG** - Pure Green
- RD** - Red

Custom cuts

MLS - **ESTRIP** - **YY** - 1 - 24 - **XX**

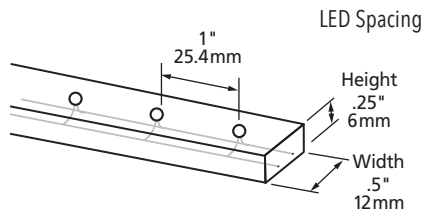
LED eSTRIP

LED COLOUR

- 3000K
- 5800K
- AM** - Amber
- BL** - Blue
- PG** - Pure Green
- RD** - Red

SPECIFICATIONS

Electrical	24V DC, 0.96W/ft
Viewing Angle	120°
LED Life	40,000 hours
LED Spacing	1" (25.4mm)
Maximum Length	90' (27.4m)
Custom Cuttable	6" (152.4mm)
Lumen Output	61 Lumens per ft. 5800K 55 Lumens per ft. 3000K
LED Colours	Amber, Red, Blue, Pure Green, 5800K, 3000K
Min/Max Surface Temperature for Mounting	-40°C - 40°C (-40°F - 104°F)
PVC Body Colour	Clear
Dimensions	.25" X .5" (6mm x 12mm)
Approvals	cETLus



ACCESSORIES



MLS-BFMS-15
Indoor Power connector, with SJTW-2 1.5 ft wires for through wall connections 1/4" x 1/2" (6mm x 12mm) Comes with end cap



MLS-BFMB-72
Outdoor 6' Power connector for burial connections, 1/4" x 1/2" (6mm x 12mm) Comes with end cap
MLS-BFMS-72
Indoor 6' Power connector for through wall connections



MLS-BFMB-120
Outdoor Power connector, with SJTW-2 12 ft wires for burial connections, 1/4" x 1/2" (6mm x 12mm) Comes with end cap
MLS-BFMS-120
Indoor 12' Power connector for through wall connections



MLS-STP-2BR
Outdoor 2' Step cord for burial connections
MLS-STP-2CL
Indoor 2' Step cord (shown) for through wall connections



MLS-STP-12BR
Outdoor 12' Step cord (shown) for burial connections
MLS-STP-12CL
Indoor 12' Step cord for through wall connections



MLS-EFBR
Outdoor Step cord for burial connections
MLS-EFSN
Indoor Step cord (shown) for through wall connections



LMSII-001
Terminal block and junction box for connection to additional lengths of power cable if needed



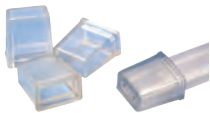
MLS-BFLN
L type connector, 1/4" X 1/2" (6mm x 12mm)



MLS-BFSN
In-Line connector set, male and female, 1/4" X 1/2" (6mm x 12mm)



MLS-BFTD
T type connector, 1/4" X 1/2" (6 x 12mm), male connector in bottom



MLS-SFHN
Cutting end cap, 0.25" X 0.5" (6mm x 12mm)



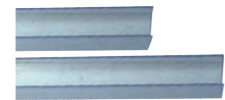
MLS-BFTR
T type connector, 1/4" X 1/2" (6 x 12mm), male connector in right or left



MLS-SNPN
Wood nail clips, 1/4" X 1/2" (6mm x 12mm)



MLS-SMPN
Tie wrap and mounting saddle



NN-C10-POLY
For outdoor use
NN-C10-8
For indoor use. Clear PVC mounting "U" channel



MLS-BFXN
X type connector, 1/4" X 1/2" (6mm x 12mm)



MLS-BFDN
6 x 12mm splice kit (pins, pad and shrink tube)

INDOOR/OUTDOOR DIMMABLE DRIVERS

MLDRE-40-24-DM
Max 37.5' (11.4m)
Min 8 Watts, 9' LED eStrip (2.7m)
6.77" x 2.67" x 1.26" (171 x 68 x 32mm)

MLDRE-96-24-DM
Max 90' (27.4m)
Min 8 Watts, 9' LED eStrip (2.7m)
6.77" x 2.67" x 1.26" (171 x 68 x 32mm)

NOTE: For outdoor installations, please add E-KO-SR strain relief (2pcs/driver).

NON DIMMABLE DRIVERS

MLDR-120-24
Indoor/Outdoor driver
Max 90' (27.4m) per single tap
Max 120' (36.5m) combined 2 secondary taps
Input: 100 - 240V AC
Output: 24V DC
10" x 3 3/8" x 3 3/16" (254 x 85.7 x 80.9mm)

MLDR-20-24JB
Indoor driver
Max recommended load 18W LED eStrip
Input: 100 - 240V AC
Output: 24V DC
20 Watts
4 1/8" x 4 1/8" x 1 1/2" (104.8 x 104.8 x 38.1mm)

High Power LED eStrip

New High Power eStrip with twice the lumen output of our regular eSTRIP!



FEATURES

- 40,000 hours life
- Safe low voltage (24V)
- Virtually maintenance free
- Ultra low power consumption
- Available in 40' spools (custom cuts available)
- Crushproof to 100psi
- Field cuttable
- Inter-connectable
- Highly flexible (min. bend radius 1.5")
- Indoor/outdoor use
- Impact resistant
- Dimmable
- 2 year limited warranty

APPLICATIONS

- Building outlines
- Coves
- Stairway and aisle lighting
- Signage
- Backlit panels
- Decks
- Edgelit glow
- Emergency lighting
- Pathway lighting
- Billboards
- Highlighting architectural features
- Over/Under cabinets

SPECIFICATIONS

Electrical	24V DC, 2.2W/ft
Viewing Angle	120°
LED Life	40,000 hours
LED Spacing	1" (25.4mm)
Maximum Length	40' (12m)
Custom Cuttable	6" (152.4mm)
Lumen Output	155 Lumens per ft. 5800K 137 Lumens per ft. 3000K
LED Colours	5800K, 3000K
Min/Max Surface Temperature for Mounting	-40°C - 40°C (-40°F - 104°F)
PVC Body Colour	Clear
Dimensions	.25" X .5" (6mm x 12mm)
Approvals	cETLus

PRODUCT CODES

40Ft spools

MLSHP - ESTRIP - YY - 1 - 24 - 40FT

**HIGH POWER
LED eStrip**

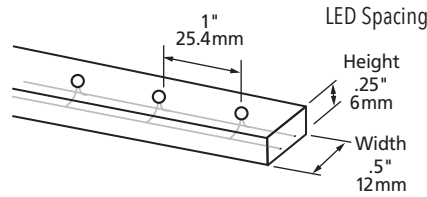
LED COLOUR
3000K
5800K

Custom cuts

MLSHP - ESTRIP - YY - 1 - 24 - XX

**HIGH POWER
LED eStrip**

LED COLOUR
3000K
5800K



ACCESSORIES



MLS-BFMS-15
Indoor Power connector, with SJTW-2 1.5 ft wires for through wall connections 1/4" x 1/2" (6mm x 12mm) Comes with end cap



MLS-BFMB-72
Outdoor 6' Power connector for burial connections, 1/4" x 1/2" (6mm x 12mm). Comes with end cap
MLS-BFMS-72
Indoor 6' Power connector for through wall connections



MLS-BFMB-120
Outdoor Power connector, with SJTW-2 12 ft wires for burial connections 1/4" x 1/2" (6mm x 12mm) Comes with end cap
MLS-BFMS-120
Indoor 12' Power connector for through wall connections



MLS-STP-2BR
Outdoor 2' Step cord for burial connections
MLS-STP-2CL
Indoor 2' Step cord (shown) for through wall connections



MLS-STP-12BR
Outdoor 12' Step cord (shown) for burial connections
MLS-STP-12CL
Indoor 12' Step cord for through wall connections



MLS-EFBR
Outdoor Step cord for burial connections
MLS-EFSN
Indoor Step cord (shown) for through wall connections



LMSII-001
Terminal block and junction box for connection to additional lengths of power cable if needed



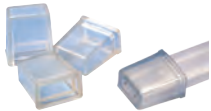
MLS-BFLN
L type connector, 1/4" X 1/2" (6mm x 12mm)



MLS-BFSN
In-Line connector set, male and female, 1/4" X 1/2" (6mm x 12mm)



MLS-BFTD
T type connector, 1/4" X 1/2" (6 x 12mm), male connector in bottom



MLS-SFHN
Cutting end cap, 0.25" X 0.5" (6mm x 12mm)



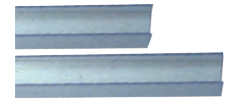
MLS-BFTR
T type connector, 1/4" X 1/2" (6 x 12mm), male connector in right or left



MLS-SNPN
Wood nail clips, 1/4" X 1/2" (6mm x 12mm)



MLS-SMPN
Tie wrap and mounting saddle



NN-C10-POLY
For outdoor use
NN-C10-8
For indoor use. Clear PVC mounting "U" channel



MLS-BFXN
X type connector, 1/4" X 1/2" (6mm x 12mm)



MLS-BFDN
6 x 12mm splice kit (pins, pad and shrink tube)

INDOOR/OUTDOOR DIMMABLE DRIVERS

MLDRE-40-24-DM
Max 16' (4.87m)
Min 8 Watts, 4' LED eStrip (1.2m)
6.77" x 2.67" x 1.26" (171 x 68 x 32mm)

MLDRE-96-24-DM
Max 40' (12.1m)
Min 8 Watts, 4' LED eStrip (1.2m)
6.77" x 2.67" x 1.26" (171 x 68 x 32mm)

NOTE: For outdoor installations, please add E-KO-SR strain relief (2pcs/driver)

NON DIMMABLE DRIVERS

MLDR-120-24
Indoor/Outdoor driver
Max 40' (12.1m) per single tap
Max 54' (16.46m) combined 2 secondary taps
Input: 100 - 240V AC
Output: 24V DC
10" x 3 3/8" x 3 3/16" (254 x 85.7 x 80.9mm)

MLDR-20-24JB
Indoor driver
Max recommended load 18W LED eStrip
Input: 100 - 240V AC
Output: 24V DC
20 Watts
4 1/8" x 4 1/8" x 1 1/2" (104.8 x 104.8 x 38.1mm)

RGB LED eStrip

RGB eSTRIP utilizes RGB LEDs allowing you to produce dramatic colour change effects for building outlines, architectural features or anywhere eye catching colour changing display lighting is needed.



FEATURES

- 40,000 hours life
- Safe low voltage (24V)
- Virtually maintenance free
- Ultra low power consumption
- Available in 40' spools (custom cuts available)
- Crushproof to 100psi
- Field cuttable
- Inter-connectable
- Highly flexible (min. bend radius 1.5")
- Indoor/outdoor use
- Impact resistant
- Dimmable
- 2 year limited warranty

APPLICATIONS

- Building outlines
- Coves
- Stairway and aisle lighting
- Signage
- Backlit panels
- Decks
- Edgelit glow
- Emergency lighting
- Pathway lighting
- Billboards
- Highlighting architectural features
- Over/Under cabinets

PRODUCT CODES

40Ft spools

MLS - ESTRIP - RGB - 1 - 24 - 40FT

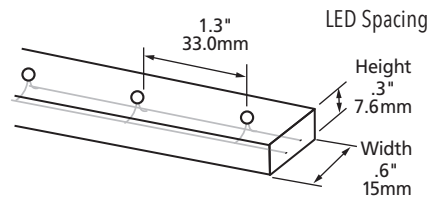
Custom cuts

MLS - ESTRIP - RGB - 1 - 24 - XX

NOTE: Sold in 2ft. increments

SPECIFICATIONS

Electrical	24V DC, 2.2W/ft
Viewing Angle	120°
LED Life	40,000 hours
LED Spacing	1.3" (33mm)
Maximum Length	40' (12m)
Custom Cuttable	8" (198mm)
LED Colours	RGB
Min/Max Surface Temperature for Mounting	-40°C - 40°C (-40°F - 104°F)
PVC Body Colour	Clear
Dimensions	.3" X .6" (7.6mm x 15mm)
Approvals	cETLus



ACCESSORIES

MLS-BFTN
Female connector

MLS-BTMN
Male connector

MLS-BTSN
In line connector

MLS-BTMCJ-1.5
1.5' Power connector

MLS-BTMCJ-6
6' Power connector

MLS-BTMC-G4-SI
Signal in connector for RGB eStrip connection to outdoor signal amplifier

MLS-BTMC-G4-SO
Signal out connector for RGB eStrip connection to outdoor signal amplifier

LV-CN-G2
Power feed connector for connection to outdoor signal amplifier

MLS-STCN
Cutting end cap

MLS-STFN
Female end cap

MLS-STPV-T
Clear PVC mounting "U" channel (1M)

MLS-SNPT
Wood nail clips, 1/4" X 1/2" (6mm x 12mm)

MLS-C-6
Tie wrap

MLS-MX-1
Allen key

TCJ-E06
6' (1.8m) Extension cord
TCJ-E30
30' (9.1m) Extension cord

MLS-TCJ-EI6-M
LED RGB eStrip 6" Flex Connector

LT-09S-RF
6 Key RGB "touch" controller 12/24V DC

LN-CON-WIFI-3CH-XV
WiFi controller for RGB, c/w RF remote 12/24VDC

LV-ZJFFS-3CH-6INW
Outdoor RGB signal amplifier

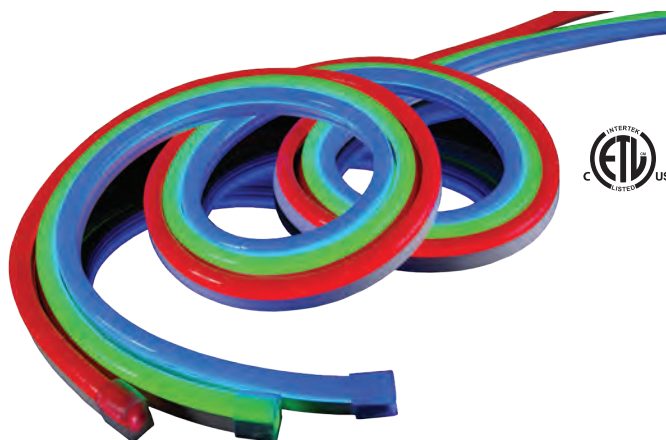
NON DIMMABLE DRIVERS

MLDR-120-24
Indoor/Outdoor driver
Max 40' (12.1m) per single tap
Max 54' (16.46m) combined 2 secondary taps
Input: 100 - 240V AC
Output: 24V DC
10" x 3 3/8" x 3 3/16" (254 x 85.7 x 80.9mm)

MLDR-20-24JB
Indoor driver
Max recommended load 18W RGB LED eStrip
Input: 100 - 240V AC
Output: 24V DC
20 Watts
4 1/8" x 4 1/8" x 1 1/2" (104.8 x 104.8 x 38.1mm)

LED Neon Flex

LED Neon Flex is a functional, flexible option to highlight architectural and design elements while adding colour and vibrancy to building exteriors.



FEATURES

- Virtually maintenance free
- Low power consumption
- Safe 24V DC operation
- cETLus certified
- Dimmable
- Inter-connectable
- Field cuttable (every 4" single colour, every 12" RGB)
- Custom cuts available
- Available in seven brilliant colours, and RGB
- Highly flexible, with neon look
- Indoor/outdoor use
- 30,000 hour life
- 3 year limited warranty

APPLICATIONS

- Building outlines
- Stairway and aisle lighting
- Signs
- Decks
- Pathway lighting
- Billboards
- Highlighting architectural features

PRODUCT CODES

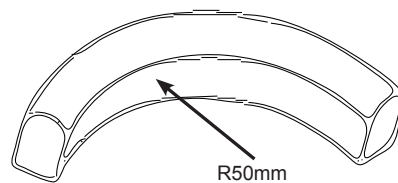
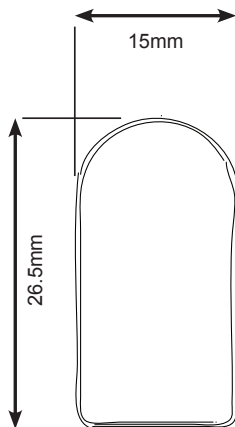
NFLX - 40 - XX
NFLX - XX - YY



LED Neon Flex	LENGTH	COLOUR
		3000K
		4000K
		6000K
		RD - Red
		GR - Green
		BL - Blue
		AM - Amber
		RGB - RGB

SPECIFICATIONS

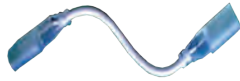
Electrical	24V DC, 2.44 W/FT (8W/M)
Viewing Angle	120°
Lumen Output	61 LM/FT (200LM/M)
Efficacy	25 LPW
Custom Cuttable	4" single colour, 12" RGB
Maximum Length	40FT (12M)
Operating Temperature	-20°C - 40°C
LED Life (hours)	30,000
Beam angle	120°
Colour Rendering Index	>80
Dimmable	Yes
Approvals	cETLus



SINGLE COLOUR ACCESSORIES



NFLX-CONKIT-6FT
Power feed connector, 6FT



NFLX-JUMP
Jumper connector, 15CM [6in]



NFLX-PINS
Single colour pins



NFLX-SPLICE
In-line splice connector



NFLX-L-SPLICE
L splice connector



NFLX-T-SPLICE
T splice connector



NFLX-ENDS
End cap



NFLX-CLIPS
Mounting clips



NFLX-CHANNEL
Aluminum mounting channel 1M [3.28FT]



NFLX-GLUE
Silicone Glue

INDOOR/OUTDOOR DIMMABLE DRIVERS

MLDRE-40-24-DM

Max 14.5' (4.4m)
Min 8 Watts, 3.3'(1M) LED Neon Flex
6.77" x 2.67" x 1.26" (171 x 68 x 32mm)

MLDRE-96-24-DM

Max 40' (12m)
Min 8 Watts, 3.3'(1m) LED Neon Flex
6.77" x 2.67" x 1.26" (171 x 68 x 32mm)

NOTE: For outdoor installations, please add E-KO-SR strain relief (2pcs/driver)

NON DIMMABLE DRIVERS

MLDR-120-24

Indoor/Outdoor driver
Max 40' (12m) per single tap
Max 48' (14.6m) combined 2 secondary taps
Input: 100 - 240V AC
Output: 24V DC
10" x 3 3/8" x 3 3/16" (254 x 85.7 x 80.9mm)

MLDR-20-24JB

Indoor driver
Max recommended load 18W 7.3'(2.2m) LED Neon Flex
Input: 100 - 240V AC
Output: 24V DC
20 Watts
4 1/8" x 4 1/8" x 1 1/2" (104.8 x 104.8 x 38.1mm)

RGB ACCESSORIES



NFLX-RGB-CONTROL
RGB controller



NFLX-RGB-AMP
RGB signal amplifier



NFLX-RGB-CONKIT-6FT
RGB power feed connector, 6FT



NFLX-RGB-CONKIT-6FT-O
RGB power feed connector, 6FT, opposite



NFLX-RGB-JUMP
RGB Jumper connector 15cm [6in]



NFLX-RGB-PINS
RGB pins



NFLX-ENDS
End cap



NFLX-CLIPS
Mounting clips



NFLX-CHANNEL
Aluminum mounting channel 1M [3.28FT]



NFLX-GLUE
Silicone Glue

NON DIMMABLE DRIVERS (FOR RGB NEON FLEX)

MLDR-120-24

Indoor/Outdoor driver
Max 40' (12m) per single tap
Max 48' (14.6m) combined 2 secondary taps
Input: 100 - 240V AC
Output: 24V DC
10" x 3 3/8" x 3 3/16" (254 x 85.7 x 80.9mm)

MLDR-20-24JB

Indoor driver
Max recommended load 18W 7.3'(2.2m) LED Neon Flex
Input: 100 - 240V AC
Output: 24V DC
20 Watts
4 1/8" x 4 1/8" x 1 1/2" (104.8 x 104.8 x 38.1mm)

LED Globe Light

LED Globe Light is a Marquee style decorative string light designed for the toughest of weather conditions.



FEATURES

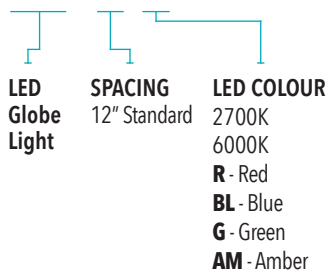
- 50,000 hours life
- Low power consumption
- Safe class 2, 24V power supply
- Field cuttable
- Multiple lamp spacings available
- Durable construction for indoor and outdoor use
- 2 year limited warranty

APPLICATIONS

- Building outlines
- String across patios, walk ways, streets and public areas
- Under soffits
- Bridges
- Architectural features
- Window decorations
- Decks and patios

PRODUCT CODES

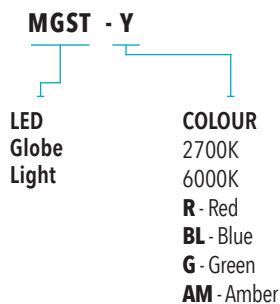
MGST - 12 - Y



SPECIFICATIONS

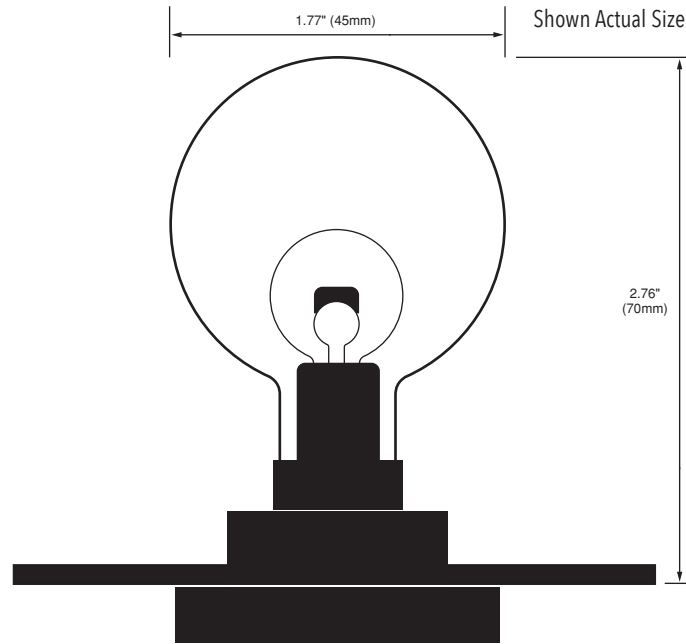
Electrical	24V DC, .5W
Wiring	Directly wired to class 2, 24V power supply
Cable	PVC black SPT2, 16AWG outdoor rated
LED Life	50,000 hours
Maximum length	150' (45.6M) Not to exceed 180 lamps
Lumen Output	50 Lumens
Efficacy	100 Lumens per Watt
CRI	> 80
LED Colours	6000K, 2700K Red, Blue, Green and Amber also available upon request
Operating Temperature	-25°C to 65°C
Approvals	cETLus

GLOBE LIGHT ASSEMBLY PRODUCT CODES



OUTDOOR RATED CABLE

for attaching Globe Light Lamp Assemblies
ST16W



ACCESSORIES



MGST-XX-LAMP
Replacement lamp



MGEC
End cap for wire (Bag of 10)



MGNC
Wood nail mounting clip



MGWC
Tie wrap for mounting to wire

ST16W
Outdoor rated cable for DIY mounting of LED Globe Light

MGTP
Double sided tape (Bag of 50 pieces)

INDOOR/OUTDOOR DIMMABLE DRIVERS

MLDRE-40-24-DM
Min 8 Watts, 16 Globes
Max number of Globes = 80
40 Watts
6.77" x 2.67" x 1.26" (171 x 68 x 32mm)

MLDRE-96-24-DM
Min 8 Watts, 16 Globes
Max number of Globes = 180
96 Watts
6.77" x 2.67" x 1.26" (171 x 68 x 32mm)

NON DIMMABLE DRIVERS

MLDR-120-24
Indoor/Outdoor driver
Max number of Globes = 180*
120W hardwire
Input: 100 - 240V AC
Output: 24V DC
120 Watts
10" x 3 3/8" x 3 3/16" (254 x 85.7 x 80.9mm)

MLDR-20-24JB
Indoor driver
Max recommended load 18W or 36 LED Globes
20W hardwire
Input: 100 - 240V AC
Output: 24V DC
4 1/8" x 4 1/8" x 1 1/2" (104.8 x 104.8 x 38.1mm)

* 180 on a single tap or 200 combined two secondary taps.

LED Wedge Light

LED Wedge Light is a robust all-weather product, ideal for building outlines and other decorative lighting applications.



FEATURES

- 50,000 hours life
- Low power consumption
- Safe class 2, 12V power supply
- Field cuttable
- Multiple lamp spacings available
- Durable construction for indoor and outdoor use
- Available in Cool White and Warm White
- Optional Red, Blue, Green & Amber LEDs are also available
- 2 year limited warranty

APPLICATIONS

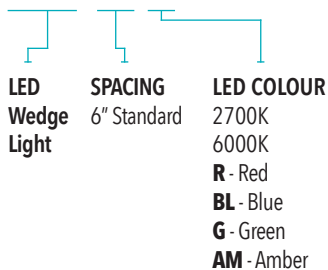
- Building outlines
- Under soffits
- Bridges
- Architectural features
- Coves
- Window decorations
- Decks and patios

SPECIFICATIONS

Electrical	12V DC, .25W
Wiring	Directly wired to class 2, 12V power supply
Cable	PVC black SPT2, 16AWG outdoor rated
LED Life	50,000 hours
Maximum length	150' (45.6M) Not to exceed 200 lamps
Lumen Output	15 Lumens
Efficacy	60 Lumens per Watt
CRI	> 80
LED Colours	6000K, 2700K Red, Blue, Green and Amber also available upon request
Operating Temperature	-25°C to 65°C
Approvals	cETLus

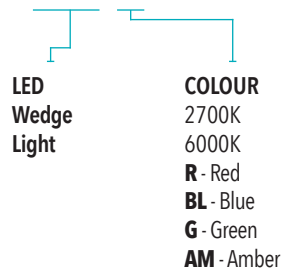
PRODUCT CODES

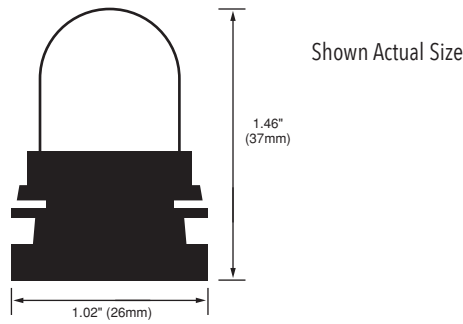
MGWL - 06 - Y



WEDGE LIGHT ASSEMBLY PRODUCT CODES

MGWL - Y





ACCESSORIES



MGWL-XX-LAMP
Replacement Lamp



MGEC
End cap for wire (Bag of 10)



MGNC
Wood nail mounting clip



MGWC
Tie wrap for mounting to wire

ST16W
Outdoor rated cable for DIY mounting of LED Wedge Light

MGTP
Double sided tape (Bag of 50 pieces)

INDOOR/OUTDOOR DIMMABLE DRIVERS

MLDRE-20-12-DM
Min 8 Watts, 32 Wedges
Max number of Wedges = 80
20 Watts
6.77" x 2.67" x 1.26" (171 x 68 x 32mm)

MLDRE-60-12-DM
Min 8 Watts, 32 Wedges
Max number of Wedges = 200
60 Watts
6.77" x 2.67" x 1.26" (171 x 68 x 32mm)

NON DIMMABLE DRIVERS

LEDDR-12-60W
Indoor/Outdoor driver
Max number of Wedges = 200
60W hardwire
Input: 100 - 240V AC
Output: 12V DC
9 11/16" x 2 9/16" x 2 1/16" (246 x 65 x 52mm)

LEDDR-12-20W-HW
Indoor driver
Max number of Wedges = 80
20W hardwire
Input: 100 - 240V AC
Output: 12V DC
4 1/8" x 4 1/8" x 1 1/2" (104.8 x 104.8 x 38.1mm)

For outdoor installations, please add E-KO-SR strain relief.

LED Hard Strip RGB

LED Hard Strip RGB is a energy efficient linkable linear strip in an aluminum casing. These LEDs are cool to the touch and provide 120° beam spread. Available in 3 sizes.



FEATURES

- Use high brightness 0.5W SMD PLCC-2 LEDs as lighting source
- Even light distribution with 120° viewing angle
- 24V DC
- 3 sizes - 11.8" (300mm), 19.7" (500mm), 39.4" (1000mm)
- Convenient connector between two strips

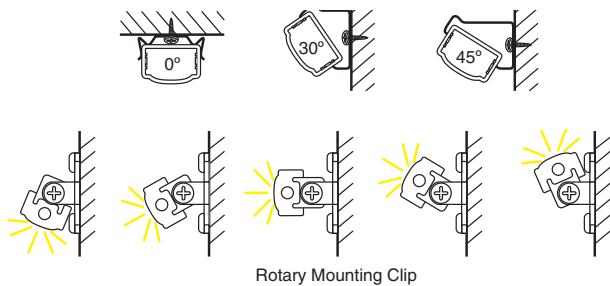
APPLICATIONS

- Under Counter
- Display Cases
- Cabinet Interiors
- Work Stations
- Linear interior decorative lighting

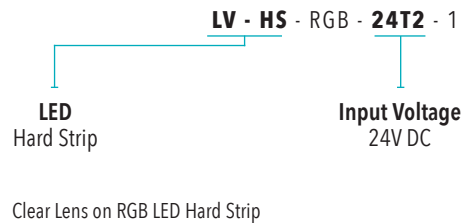
SPECIFICATIONS

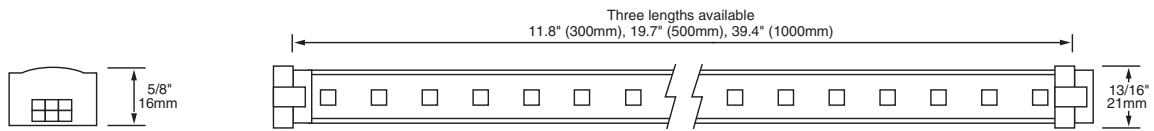
	LV-HS-RGB-24T2-1	LV-HS-RGB-24T2-2	LV-HS-RGB-24T2-3
Input Voltage (V DC)	24		
Power per strip	3.6W	6W	12W
LED Qty. per strip	18	30	60
Colour Temperature	RGB		
Viewing Angle	120°		
Size	300 x 16 x 21mm	500 x 16 x 21mm	1000 x 16 x 21mm

MOUNTING OPTIONS



PRODUCT CODES





ACCESSORIES



LV-HS-PF2-HW
39" Power Feed for LED Hard Strip RGB, Bar - Hard wire power supply



LV-HS-PC2-3
3" Power Connector for LED Hard Strip RGB, Bar - Bar



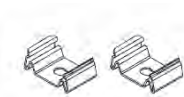
LV-HS-PC2-12
12" Power Connector for LED Hard Strip RGB, Bar - Bar



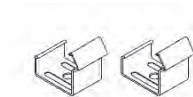
LV-HS-PC2-39
39" Power Connector for LED Hard Strip RGB, Bar - Bar



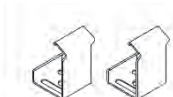
LV-HS-EC
End Cap for LED Hard Strip



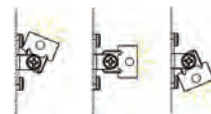
LV-HS-MC0
Mounting clip (2pk)



LV-HS-MC30
Mounting clip 30° (2pk)



LV-HS-MC45
Mounting clip 45° (2pk)



LV-HS-MCTR
Rotary Mounting clip (2pk)



LT-09S-RF
6 Key RGB "touch" controller 12/24V DC



LN-CON-WIFI-3CH-XV
WiFi controller for RGB, c/w RF remote 12/24VDC



LT-390A
Signal amplifier for RGB

NON DIMMABLE PLUG IN DRIVERS

LV-HSDR-36-24-PC

36W plug-in driver, 24V, DC Portable Driver, 1.5A output, 100V-240V input voltage; with six foot (72") power cord to polarized 2-prong AC plug and 60" lead wire to DC plug and switch
cUL/us Listed

LV-HSDR-60-24-PC

60W plug-in driver, 24V, DC Portable Driver, 2.5A output, 100V-240V input voltage; with six foot (72") power cord to polarized 2-prong AC plug and 60" lead wire to DC plug and switch
cUL/us Listed

NON DIMMABLE DRIVERS

MLDR-120-24

Indoor/Outdoor driver
Max. recommended load 90W per single tap, 120W combined two secondary taps.
120W hardwire
Input: 100 - 240V AC
Output: 24V DC
10" x 3 3/8" x 3 3/16" (254 x 85.7 x 80.9mm)

MLDR-20-24JB

Indoor driver
Max recommended load 18W LED Hard Strip
Input: 100 - 240V AC
Output: 24V DC
20 Watts
4 1/8" x 4 1/8" x 1 1/2" (104.8 x 104.8 x 38.1mm)

Gen II LED Hard Strip

Gen II LED Hard Strip is a new and improved energy efficient linkable strip, that provides a smooth, even lighting, eliminating any hot spots. Encased in an aluminum casing, the LED's are cool to the touch and provide 120° beam spread. Available in 4 sizes.



FEATURES

- 50,000 hours life
- Use high brightness 0.5W Epistar LEDs as lighting source
- Even light distribution with 120° viewing angle
- 24V DC
- 4 sizes - 11.8" (300mm), 19.7" (500mm), 39.4" (1000mm), 47.3" (1200mm)
- Convenient connector between two strips
- Diffused frosted lens to reduce glare
- Temperature rating: -35C - 50C
- 3 year limited warranty

APPLICATIONS

- Under Counter
- Display Cases
- Cabinet Interiors
- Work Stations
- Linear interior decorative lighting



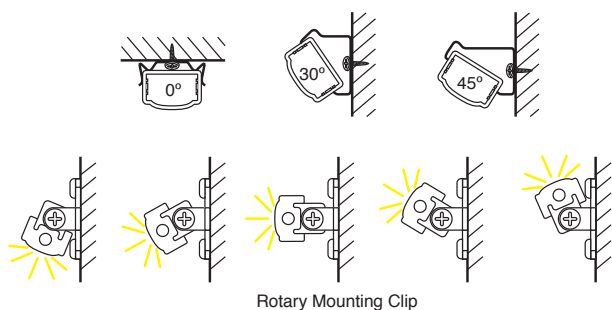
SPECIFICATIONS

	LV-HS-PD20-24V-30-XX*	LV-HS-PD20-24V-50-XX*	LV-HS-PD20-24V-100-XX*	LV-HS-PD20-24V-120-XX*
Input Voltage (V DC)	24			
Power per strip	4W	7W	13W	16W
LED Qty. per strip	36	60	132	156
Lumens (lm)				
NW	400	664	1066	1150
WW	380	621	1036	1100
Colour Temperature				
WW	3000K +/- 200K	3000K +/- 200K	3000K +/- 200K	3000K +/- 200K
NW	4200K +/- 200K	4200K +/- 200K	4200K +/- 200K	4200K +/- 200K
Viewing Angle	120°			
Lens	Frosted			
Size	11.8" (300mm)	19.7" (500mm)	39.4" (1000mm)	47.3" (1200mm)

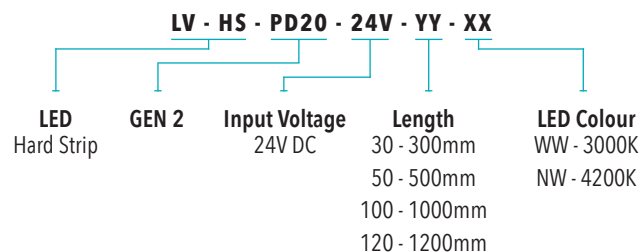
*XX = LED colour: WW = 3000K, NW = 4200K

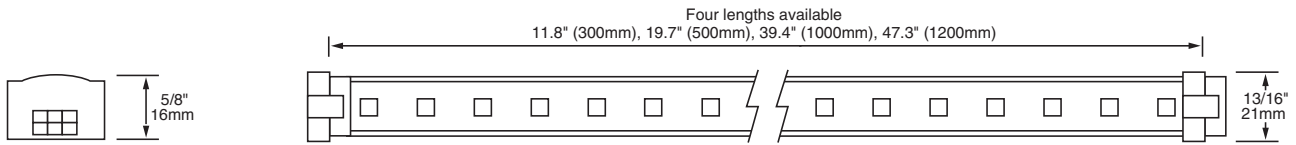
Note: Each Hard Strip bar ships with 2pcs of 0° mounting clips.

MOUNTING OPTIONS



PRODUCT CODES





ACCESSORIES



LV-HS-PD20-PF1-12
12" Power Feed for LED Hard Strip single colour, Bar - DC plug power supply



LV-HS-PD20-PF1-39
39" Power Feed for LED Hard Strip single colour, Bar - DC plug power supply



LV-HS-PD20-PF1-HW
39" Power Feed for LED Hard Strip single colour, Bar - Hard wire power supply



LV-HS-PD20-PC1-12
12" Power Connector for LED Hard Strip single colour, Bar - Bar



LV-HS-PD20-PC1-39
39" Power Connector for LED Hard Strip single colour, Bar - Bar



LV-HS-PD20-PC1-3
3" Power Connector for LED Hard Strip Single Colour, Bar - Bar



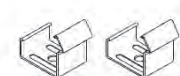
LV-HS-CN-3DC
Connector for Hard Strip, with 12" wire lead and 3 DC connectors



LV-HS-EC
End Cap for LED Hard Strip



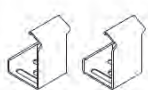
LV-HS-MC0
Mounting clip (2pk)



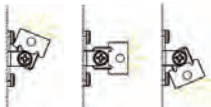
LV-HS-MC30
Mounting clip 30° (2pk)



LV-HS-CN-2DC
Connector for Hard Strip, with 12" wire lead and 2 DC connectors



LV-HS-MC45
Mounting clip 45° (2pk)



LV-HS-MCTR
Rotary Mounting clip (2pk)

NON DIMMABLE PLUG IN DRIVERS

LV-HSDR-36-24-PC

36W plug-in driver, 24V, DC Portable Driver, 1.5A output, 100V-240V input voltage; with six foot (72") power cord to polarized 2-prong AC plug and 60" lead wire to DC plug and switch cUL/us Listed

LV-HSDR-60-24-PC

60W plug-in driver, 24V, DC Portable Driver, 2.5A output, 100V-240V input voltage; with six foot (72") power cord to polarized 2-prong AC plug and 60" lead wire to DC plug and switch cUL/us Listed

DIMMABLE DRIVERS

MLDRE-40-24-DM

Max recommended load 36W, min. 8W LED Hard Strip 6.77" x 2.67" x 1.26" (171 x 68 x 32mm)

MLDRE-96-24-DM

Max recommended load 90W, min. 8W LED Hard Strip 6.77" x 2.67" x 1.26" (171 x 68 x 32mm)

NON DIMMABLE DRIVERS

MLDR-120-24

Indoor/Outdoor driver
Max. recommended load 90W per single tap, 120W combined two secondary taps.
120W hardwire
Input: 100 - 240V AC
Output: 24V DC
10" x 3 3/8" x 3 3/16" (254 x 85.7 x 80.9mm)

MLDR-20-24JB

Indoor driver
Max recommended load 18W
20W hardwire
Input: 100 - 240V AC
Output: 24V DC
4 1/8" x 4 1/8" x 1 1/2" (104.8 x 104.8 x 38.1mm)

LED Britestrip

Magic Lite's popular Britestrip provides the ultimate in linear lighting systems.



FEATURES

- Indoor use only
- 0.52W, 24V LED modules for up to 85% energy savings
- 3, 4 or 5 lamps per foot models
- Snap in lamp holders for easy lamp replacement
- MR-11 lamp adaptors for hi-lighting items in showcases
- Mounts with 3M double sided tape or mounting clips
- Parallel wiring means loss of one bulb does not affect others
- Field cuttable
- 50,000 hour average lamp life
- Fully dimmable with dimmable power supply (sold separately)
- 2 year limited warranty

APPLICATIONS

- Under cabinets
- Above cabinets
- Showcase lighting
- Cove lighting
- Indirect lighting
- Sign back lighting
- Shelf lighting
- Decorative accents

TRACK PRODUCT CODES

BS - T - XCM



LED Britestrip	Socket Spacing
	6.3 - 6.3 cm (2.5"), approx. 5 lamps per foot
	7.5 - 7.5 cm (3.0"), approx. 4 lamps per foot
	10 - 10 cm (4.0"), approx. 3 lamps per foot

LAMP PRODUCT CODES

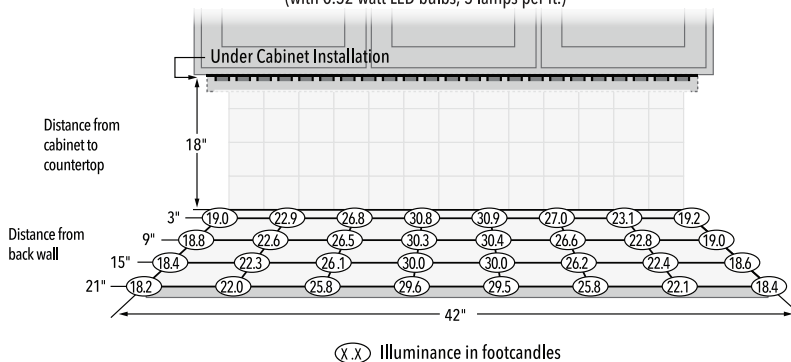
Festoon Lamps - LED
 Average Lamp Life: 50,000 hours
 Maximum Single Run: 158 LED festoon modules (82 Watts)

- BS-24E5-DW**
 24V, 0.52W,
 5000-5300K, 36 lumens output
- BS-24E5-WW**
 24V, 0.52W,
 2300-2600K, 32 lumens output

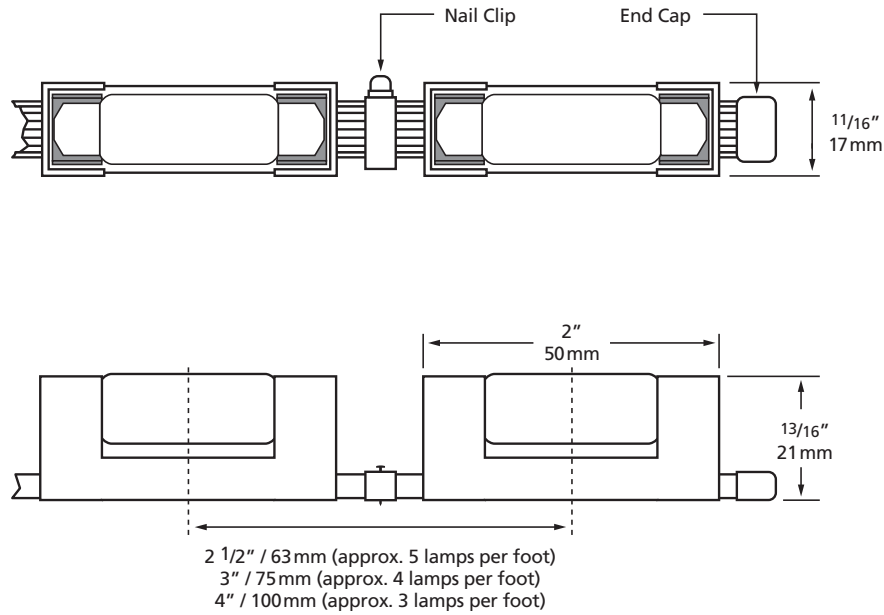


CounterTop Photometrics Data

(with 0.52 watt LED bulbs, 5 lamps per ft.)



(X.X) Illuminance in footcandles



ACCESSORIES



BS-8
Nail clips



BS-9
Terminal block



BS-10
End caps



BS-11
Connection box for housing terminal block connections

DIMMABLE DRIVERS

MLDRE-40-24-DM

Max 76 LED Britestrip lamps, Min 16 LED Britestrip lamps
6.77" x 2.67" x 1.26" (171 x 68 x 32mm)

MLDRE-96-24-DM

Max 180 LED Britestrip lamps, Min 16 LED Britestrip lamps
6.77" x 2.67" x 1.26" (171 x 68 x 32mm)

NON DIMMABLE DRIVERS

MLDR-120-24

Indoor driver
Max. 110 LED Britestrip lamps
Single secondary tap, max. 185 total
Input: 100 - 240V AC
Output: 24V DC
10" x 3 3/8" x 3 3/16" (254 x 85.7 x 55.6mm)

MLDR-20-24JB

Indoor driver
20W hardwire
Max. 30 LED Britestrip lamps
Input: 100 - 240V AC
Output: 24V DC
4 1/8" x 4 1/8" x 1 1/2" (104.8 x 104.8 x 38.1mm)

GEN II 3-COLOUR TEMPERATURE LED Task Star

All the convenience of traditional task light, with the benefits of CCT adjustable LED technology.

NEW: 1/2" Knockouts for easy installation



FEATURES

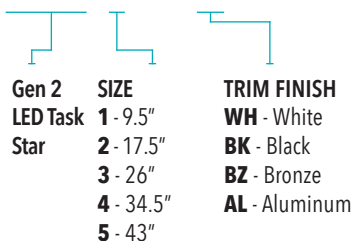
- 3 position switch for colour temperature adjustment (3000K/4000K/5000K)
- Available in 5 lengths for multiple applications
- Dimmable with most ELV dimmers.
Continuous dimming with a 5%-100% dimming range.
- 90 CRI
- Captive mounting screws
- Easy installation
- High Low switch
- 5 year limited warranty
- Available in white, black, bronze and aluminum finish

APPLICATIONS

- Under cabinet task light
- Work stations
- Over cabinet accent light
- Display cases and exhibits
- Merchandising
- Wall units and bars

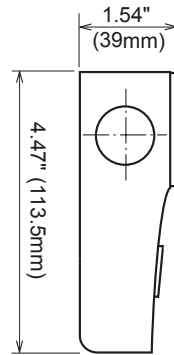
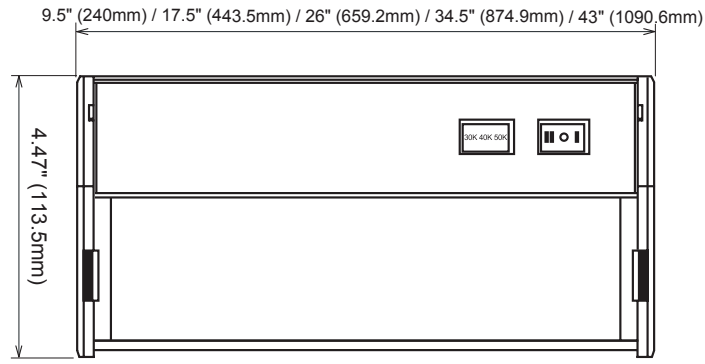
PRODUCT CODES

LTS - II - Y - HW/XX



SPECIFICATIONS

Input Voltage	120V AC
Power Consumption	9.5"=5W 17.5"=10W 26"=15W 34.5"=20W 43"=25W
Colour Temperature	3000K/4000K/5000K
Lumen Output	9.5"=310LM 17.5"=650LM 26"=1000LM 34.5"=1300LM 43"=1500LM
Appearance Size (L x W x H)	9.5" - 9.5" x 4.47" x 1.54" (240 x 113.5 x 39mm) 17.5" - 17.5" x 4.47" x 1.54" (443.5 x 113.5 x 39mm) 26" - 26" x 4.47" x 1.54" (659.2 x 113.5 x 39mm) 34.5" - 34.5" x 4.47" x 1.54" (874.9 x 113.5 x 39mm) 43" - 43" x 4.47" x 1.54" (1090.6 x 113.5 x 395mm)
LED Life	50,000 hours
Lens	Frosted Glass
Finish	BK - Black BZ - Bronze AL - Aluminum WH - White
Dimming	Dimmable with most ELV dimmers. Continuous dimming with a 5%-100% dimming range.
CRI	90+
Approvals	cETLus



LED Task Star PRO

Colour CHANGEABLE

LTSPRO is constructed with aluminum housing and a matte polycarbonate diffuser. This sleek fixture features edge lit technology which means no hot spots on the polished marble or granite counter top.



FEATURES

- 50,000 hours life
- Adjustable to 3 colour temperatures: 2700K, 3300K and 4000K (warm white to cool white)
- Dimmable with most ELV dimmers
- Comes with High / Low Switch
- Low power consumption
- Edge Lit technology eliminates hot spots – smooth luminance
- Fast and easy installation – quick connects, captive mounting holes
- Comes with cord and plug as well as knockouts for hardwire
- 3/8" connector provided
- Shallow profile conceals fixture
- Linkable up to 400 watts. Each fixture ships with 8" jumper cable and end-to-end connector
- 90 CRI
- Available in 6 sizes – 9", 12", 18", 24", 32" and 40"
- cETLus and Energy Star listed
- 3 year limited warranty

APPLICATIONS

- Under cabinet task light
- Over cabinet accent light
- Display cases and exhibits
- Merchandising
- Indirect accent light
- Wall units and bars
- Office work stations

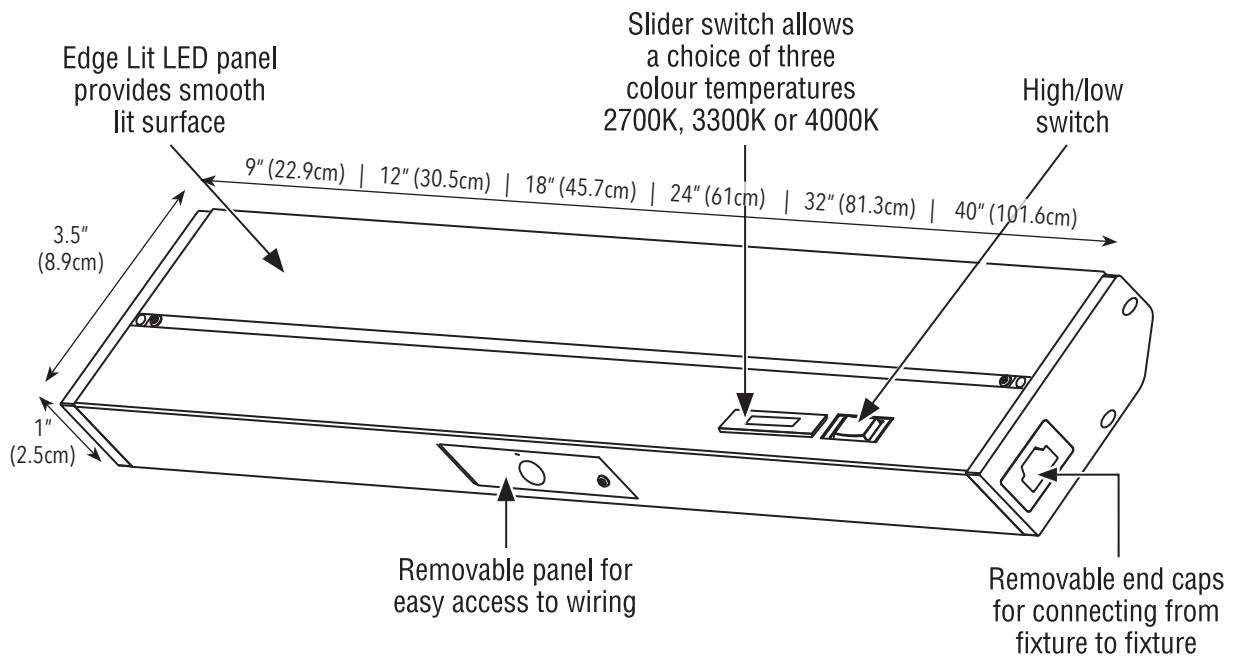
PRODUCT CODES

LTSPRO - XX - YY

LED	SIZE	TRIM FINISH
Task Star	9 - 9"	WH - White
PRO	12 - 12"	BK - Black
	18 - 18"	BZ - Bronze
	24 - 24"	SN - Satin Nickel
	32 - 32"	
	40 - 40"	

SPECIFICATIONS

Input Voltage	120V AC
Power Consumption	9" = 3W
	12" = 5W
	18" = 8W
	24" = 12W
	32" = 16W
40" = 20W	
Power Factor	0.95
LEDs	Epistar
LED Life	50,000 hours
CCT	2700K - 4000K
Lumen Output	9" = 150 - 200 Lumens
	12" = 250 - 300 Lumens
	18" = 380 - 450 Lumens
	24" = 650 - 700 Lumens
	32" = 850 - 900 Lumens
40" = 950 - 1000 Lumens	
CRI	> 90
Cover Finish	Extruded Aluminum housing / High impact PC plastic end caps / Matte white polycarbonate diffuser
Appearance Size (L x W x H)	9" - 9" x 3.5" x 1" (22.9 x 8.9 x 2.5cm)
	12" - 12" x 3.5" x 1" (30.5 x 8.9 x 2.5cm)
	18" - 18" x 3.5" x 1" (45.7 x 8.9 x 2.5cm)
	24" - 24" x 3.5" x 1" (61.0 x 8.9 x 2.5cm)
	32" - 32" x 3.5" x 1" (81.3 x 8.9 x 2.5cm)
40" - 40" x 3.5" x 1" (101.6 x 8.9 x 2.5cm)	
Approvals	cETLus listed and Energy Star rated



ACCESSORIES



LTSPRO-J-12*
12" jumper cable
LTSPRO-J-18*
18" jumper cable
LTSPRO-J-24*
24" jumper cable
LTSPRO-J-32*
32" jumper cable



LTSPRO-PC-72*
72" replacement power cord and plug



LTSPRO-JB
Hardwire junction box for LTSPRO fixtures - allows for direct wiring installation, eliminating the visible household wire. Add (-BK) at the end of part number for black finish.



RC-01
3/8" Romex connector

* Note : add (-BK) at the end of part number for black cable.
**Each fixture ships with one 8" jumper cable, one end-to-end connector and one 3/8" Romex connector.

REPLACEMENT PARTS

LTSPRO-SW-BK
CCT Slider Switch Cover, Black

LTSPRO-SW-WH
CCT Slider Switch Cover, White

LED Task Star

All of the convenience and light output of traditional task lights with the benefits of dimmable LED technology. There are no remote or internal LED drivers to worry about as the replaceable modules work directly off of line voltage. Simply connect directly to 120 Volt power.



Save up to 80%
in energy consumption with same light
output as 18 watt xenon!



FEATURES

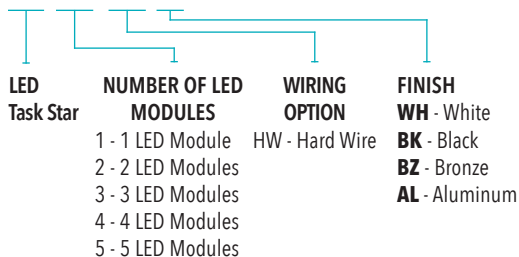
- Dimmable with most ELV dimmers
- Low power consumption - as low as 5.2 watts per module
- Warm White colour temperature (3100K +/- 200)
- 40,000 hour useful lamp life
- Fast and easy installation - push in terminals for hard wire connection
- 120 volt through wiring
- Available in 1, 2, 3, 4 & 5 LED module units
- Secure hinged lens
- Captive mounting screws in lamp compartment
- Available in 4 colours: White, Bronze, Black and Brushed Aluminum
- 3 year limited warranty

APPLICATIONS

- Under cabinet task light
- Over cabinet accent light
- Display cases and exhibits
- Merchandising
- Indirect accent light
- Wall units and bars
- Office work stations

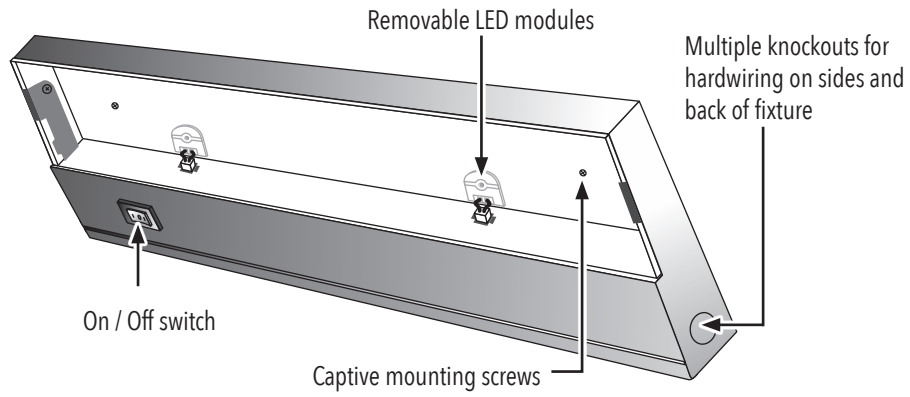
PRODUCT CODES

LTS - X - HW/YY

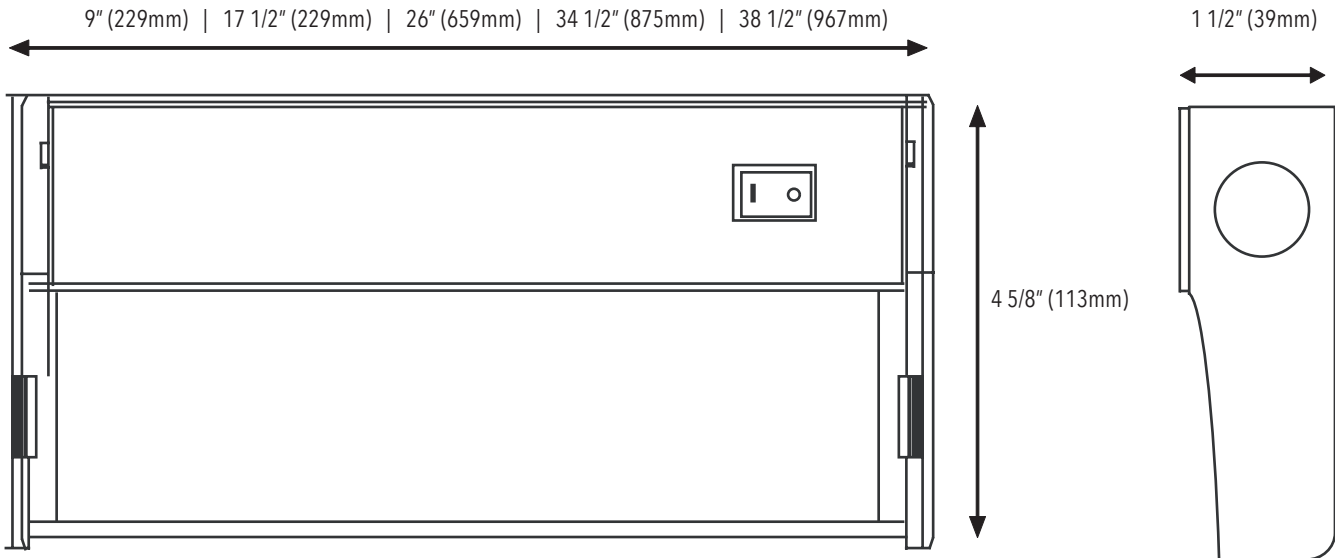


SPECIFICATIONS

Electrical	Input: AC 120V 5.2 watts per LED module
LED Life	40,000 hours
Number of LED modules per fixture	1 - 5
Lumen Output	175 lumens/module
Colour Temperature	3100K +/-200
CRI	≥ 80
LED Colour	3100K +/-200K
LED Angle	125 degrees
Replacement LED Module	LEDMOD-HVDC
Product Finish	Black & White: Powder Coating Aluminum, Bronze: Anodized
Lens	Frosted Glass
Dimensions (L x W x H)	
1 LED Module Task Star	9" x 4 5/8" x 1 1/2" (229 x 113 x 39mm)
2 LED Module Task Star	17 1/2" x 4 5/8" x 1 1/2" (445 x 113 x 39mm)
3 LED Module Task Star	26" x 4 5/8" x 1 1/2" (659 x 113 x 39mm)
4 LED Module Task Star	34 1/2" x 4 5/8" x 1 1/2" (875 x 113 x 39mm)
5 LED Module Task Star	38 1/2" x 4 5/8" x 1 1/2" (967 x 113 x 39mm)
Approvals	cETLus listed



Available in 1, 2, 3, 4 and 5 module units.



ACCESSORIES



LEDMOD-HVDC
Warm white LED
replacement module
3100K ± 200



LED-REC-1
Rectifier for LTS-1
LED-REC-2
Rectifier for LTS-2
LED-REC-3
Rectifier for LTS-3
LED-REC-4
Rectifier for LTS-4
LED-REC-5
Rectifier for LTS-5

LED Edgelit Puck Lights

The Edge Lit Puck Lights are sleek and powerful surface mount lighting fixtures, combining the easy installation with high performance LED's. Featuring strong internal magnets, these fixtures can be installed on metal surfaces, without screws or mounting holes.



FEATURES

- 30,000 hours life
- Edgelit design with smooth light output
- Safe 24V low voltage operation
- Operating temperature: -30°C to 40°C
- Durable die-cast aluminum housing suitable for dry location
- Strong magnet and stamped steel plate for surface mounting
- 72 inch pre-installed lead wire
- 3-year limited warranty

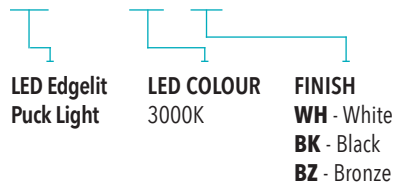
APPLICATIONS

- Under cabinets
- Over cabinets
- Indirect lighting
- Display cases
- Furniture
- Shelf lighting

PRODUCT CODES

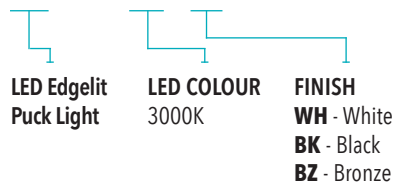
ROUND

EPL - SR - WW - XX



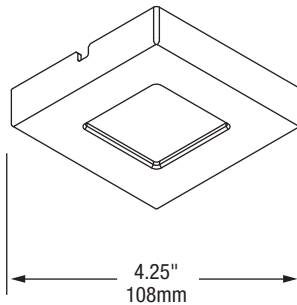
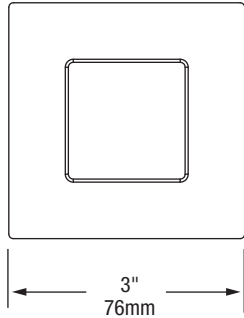
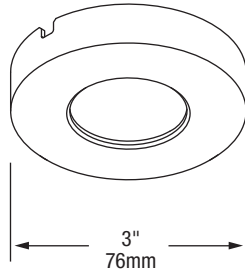
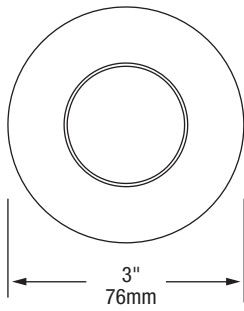
SQUARE

EPL - SS - WW - XX



SPECIFICATIONS

Electrical	24V DC, 4W
LED Specs	5630 SMD LEDs
Efficacy	50 Lumens per Watt
Fixture Illuminance	200 Lumens
Colour Temperature	3000K
CRI	> 90
Product Material	Die-cast aluminum
Finish	White, Black, Bronze
Mounting	Surface mount
Approvals	cETLus



ACCESSORIES



LMSII-001

Terminal block and junction box for connection to additional lengths of power cable if needed.

INDOOR/OUTDOOR DIMMABLE DRIVERS

MLDRE-40-24-DM

Max recommended load 36W or 9 Edge Lit Puck Lights,
min 8W or 2 Edge Lit Puck Lights
6.77" x 2.67" x 1.26" (171 x 68 x 32mm)

MLDRE-96-24-DM

Max recommended load 92W or 23 Edge Lit Puck Lights,
min 8W or 2 Edge Lit Puck Lights
6.77" x 2.67" x 1.26" (171 x 68 x 32mm)

NON DIMMABLE DRIVERS

MLDR-120-24

Indoor/Outdoor driver
Max. recommended load 96W or
24 Edge Lit Puck Lights per single tap,
120W or 30 Edge Lit Puck Lights combined two
secondary taps.
120W hardwire
Input: 100 - 240V AC
Output: 24V DC
10" x 3 3/8" x 3 3/16" (254 x 85.7 x 80.9mm)

MLDR-20-24JB

Indoor driver
Max recommended load 16W or 4 Edge Lit Puck Lights
20W hardwire
Input: 100 - 240V AC
Output: 24V DC
4 1/8" x 4 1/8" x 1 1/2" (104.8 x 104.8 x 38.1mm)

NON-DIMMABLE PLUG IN DRIVERS

MLDR-18-24P

Max. 16W or 4 Edge Lit Puck Lights

MLDR-60-24P

Max. 56W or 14 Edge Lit Puck Lights

Ceiling Lights

Ceiling Lights will compliment any designer look, at home or in your place of business. Typically, these fixtures will replace any existing traditional indoor ceiling fixtures, providing designer quality light solutions, while creating tremendous energy savings.



FEATURES

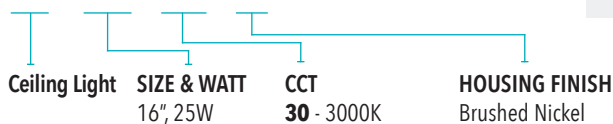
- Elegant and energy efficient design
- Available in brushed nickel trim
- Suitable for damp location
- Input voltage 120VAC
- Dimmable with most ELV dimmers
- 50,000 hours life
- cETLus listed
- Easy installation
- Maintenance free
- Even light distribution
- 5 year warranty

APPLICATIONS

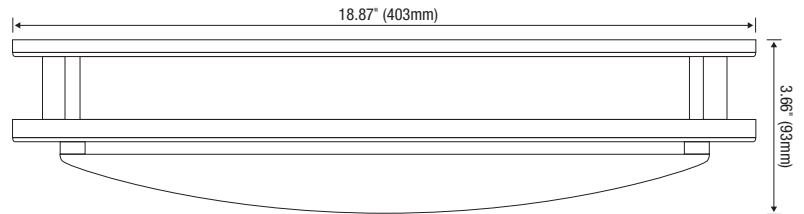
- Kitchens
- Lobbies
- Hallways
- Banquet halls
- Retail
- Restaurants

PRODUCT CODES

CLD - 1625 - XXK - BN



NOTE: MOQ may apply



SPECIFICATIONS

Electrical	120 VAC, 25W
LED Life	50,000 hours
Lumen Output	1875 Lumens
CRI	≥ 80
Colour Temperature	3000K
Housing Finish	Brushed Nickel
Approvals	cETLus listed and Energy Star rated

Wall Sconces

Beautifully designed, elegant and a great addition to any decor, Wall Sconces will compliment any designer look. These fixtures can replace any existing indoor accent lighting, creating tremendous energy savings, at an extremely affordable price.



FEATURES

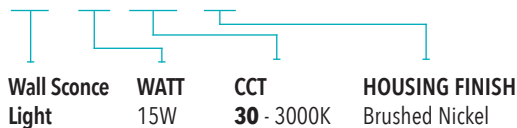
- Elegant and energy efficient design
- Brushed nickel trim finish
- Input voltage 120V AC
- Dimmable with most ELV dimmers
- 50,000 hours life
- Suitable for damp location
- cETLus listed
- Easy installation
- Maintenance free
- Even light distribution
- 5 year warranty

APPLICATIONS

- Hallways
- Lobbies
- Banquet halls
- Retail
- Restaurants

PRODUCT CODES

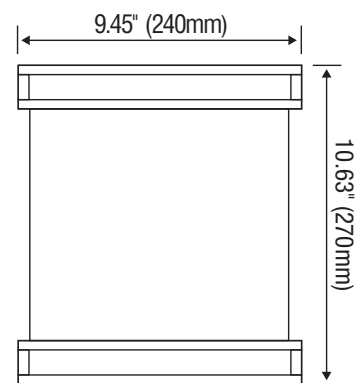
WSL - 15 - XXK - BN



NOTE: MOQ may apply

SPECIFICATIONS

Electrical	120V AC, 15W
LED Life	50,000 hours
Lumen Output	1600 Lumens
CRI	≥ 80
Colour Temperature	3000K
Housing Finish	Brushed Nickel
Approvals	cETLus listed and Energy Star rated



LED Thin-Line Round Down Light GEN III

Thin-line LED Down Lights are a breakthrough in LED down light technology. Designed for remodel and new construction, wet locations listed, Thin-Line Down Lights are a versatile and affordable choice for countless applications.

FEATURES

- Energy Star rated - up to 80% energy savings
- Dimmable to 5% with most ELV dimmers
- Ultra thin design
- Suitable for wet locations
- 120° beam spread
- No IC can required
- Temperature rating: -20°C-45°C
- Airtight
- The driver is wired for 120V input
- 50,000 hour life
- 5 year limited warranty
- Airtight
- cETLus and Energy Star listed
- White finish
- Interchangeable brushed nickel, black and bronze trim rings available (sold separately)



APPLICATIONS

- Kitchens & Pantries
- Laundry Rooms
- Bathrooms
- Lobbies
- Hallways
- Banquet Halls
- Elevators
- Retail lighting
- Restaurants
- Offices

SPECIFICATIONS

	3 inch	4 inch	6 inch	8 inch	10 inch
LED Colour	White				
Colour Temperature	3000K / 4000K				
Input Voltage	120V				
Power Consumption (W)	6	9	12	15	20
No. SMD2835 LEDs	36	48	72	96	120
Lumens					
WW	487	701	1046	1152	1776
NW	492	719	1079	1276	1786
CRI	80+				
Dimmable	120V only				
Life Span (hours)	50,000 hrs				
Appearance Size D1 x D2 x H	3.15" x 3.74" x 0.5" (80mm x 95mm x 13mm)	4.17" x 4.73" x 0.5" (106mm x 120mm x 13mm)	6.14" x 6.85" x 0.5" (156mm x 174mm x 13mm)	8.15" x 8.9" x 0.5" (207mm x 226mm x 13mm)	10" x 10.79" x 0.5" (254mm x 274mm x 13mm)
Installation Hole Size	3.35" (85mm)	4.33" (110mm)	6.3" (160mm)	8.27" (210mm)	10.16" (258mm)
Dimensions (J-Box) L x W x H	4.8" x 2.05" x 1.86" (122mm x 52mm x 47.3mm)	3.74" x 3.5" x 1.3" (95mm x 89mm x 33mm)	3.74" x 3.5" x 1.3" (95mm x 89mm x 33mm)	3.74" x 3.5" x 1.3" (95mm x 89mm x 33mm)	3.74" x 3.5" x 1.3" (95mm x 89mm x 33mm)

PRODUCT CODES

ROUND

LVLDL - YY - XX - WH - R - L3

LED Thin Line
Down Lights
Gen III

SIZE
03 - 3"
04 - 4"
06 - 6"
08 - 8"
10 - 10"

LED COLOUR
WW - 3000K
NW - 4000K

ROUND TRIM RINGS

(Sold Separately)

LVLDL - **03** - TR - **XX** - L3
LVLDL - **04** - TR - **XX** - L3
LVLDL - **06** - TR - **XX** - L3
LVLDL - **08** - TR - **XX** - L3
LVLDL - **10** - TR - **XX** - L3

TRIM RING FINISH

BK - Black
BZ - Bronze
BN - Brushed Nickel

BEAUTY RINGS

(Sold Separately)

LVLDL - BR - **3** - L3
LVLDL - BR - **4** - L3
LVLDL - BR - **6** - L3
LVLDL - BR - **8** - L3
LVLDL - BR - **10** - L3

† White finish only.

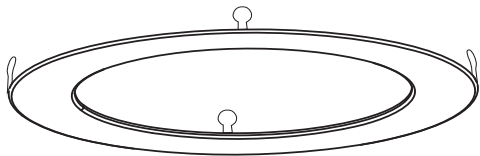
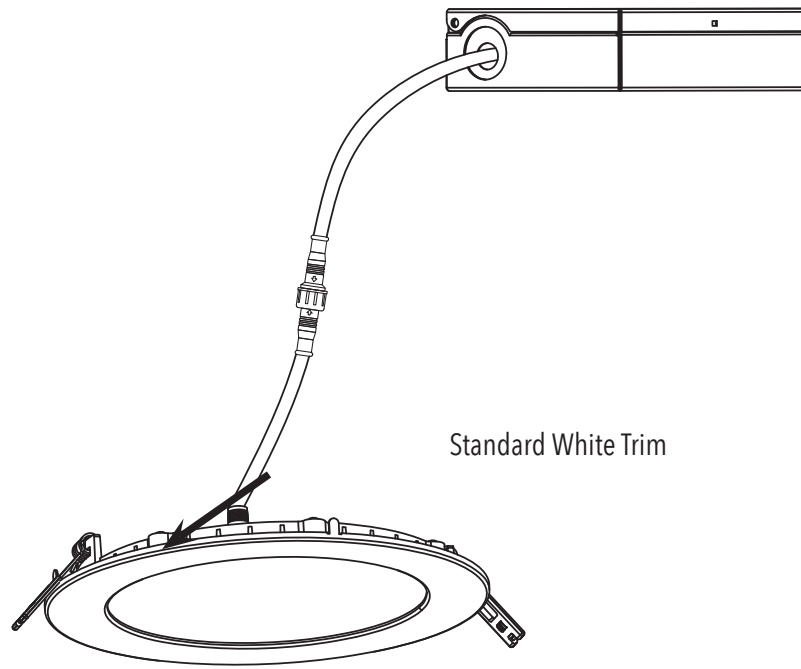
STEP-DOWN TRANSFORMERS

DLT-347
Step-down transformer
347/120V AC 25VA
(non-dimmable)
DLT-60-347
Step-down transformer
347/120V AC, 60VA
(non-dimmable)
DLT-100-347
Step-down transformer
347/120V AC, 100VA
(non-dimmable)

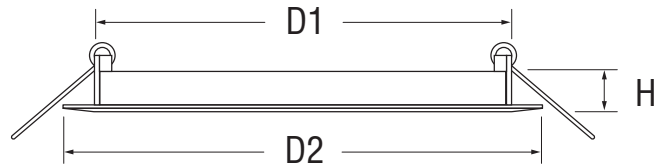
EXTENSION

CORDS (for remote driver placement)

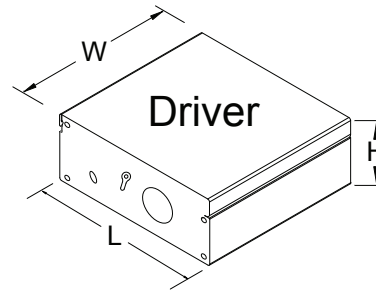
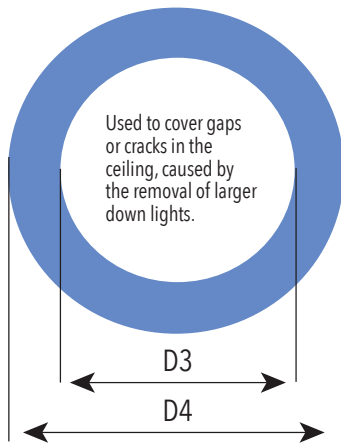
LV-DL-EX-10-L
10Ft extension cord
LV-DL-EX-30-L
30Ft extension cord



Interchangeable brushed nickel, black and bronze trim rings available (sold separately).

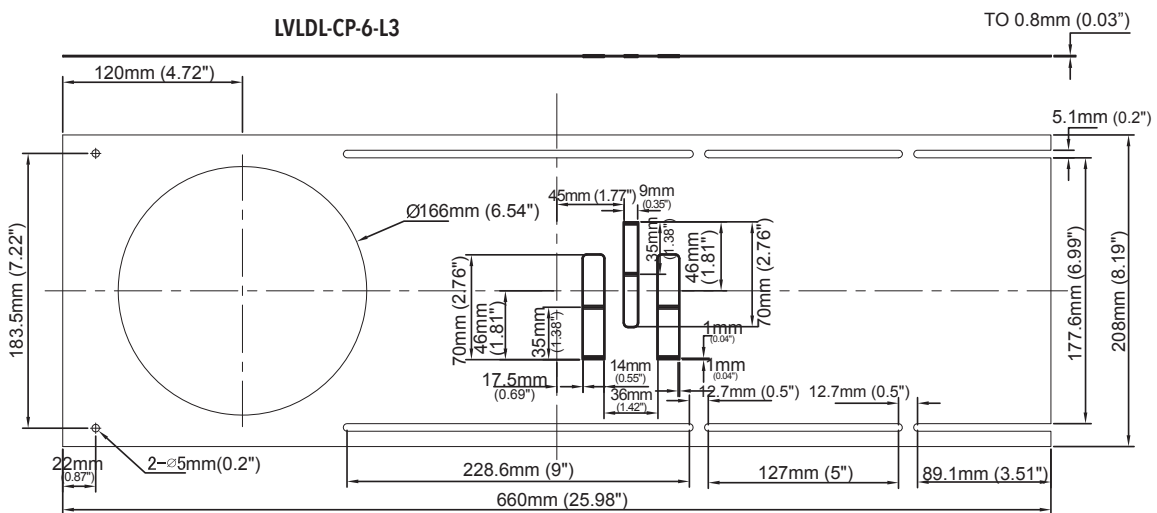
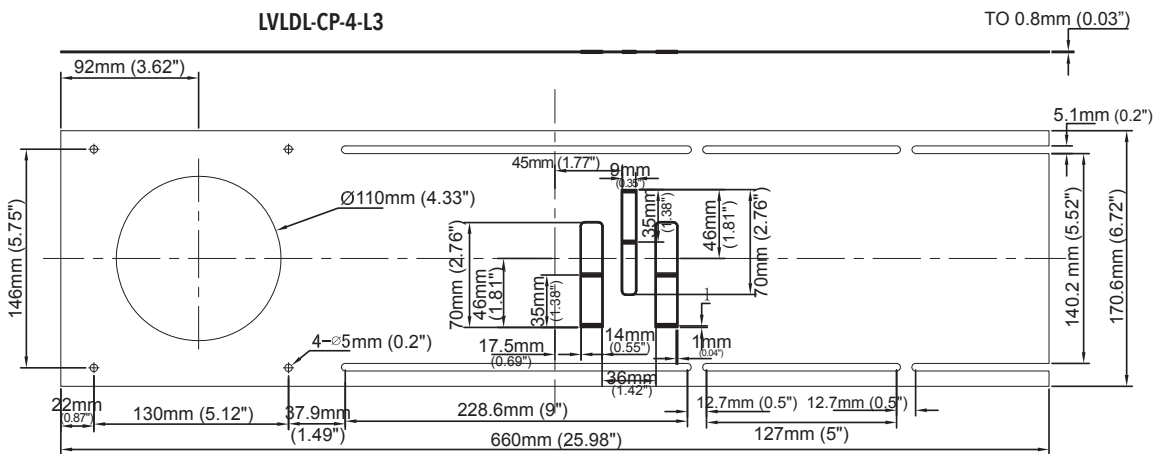
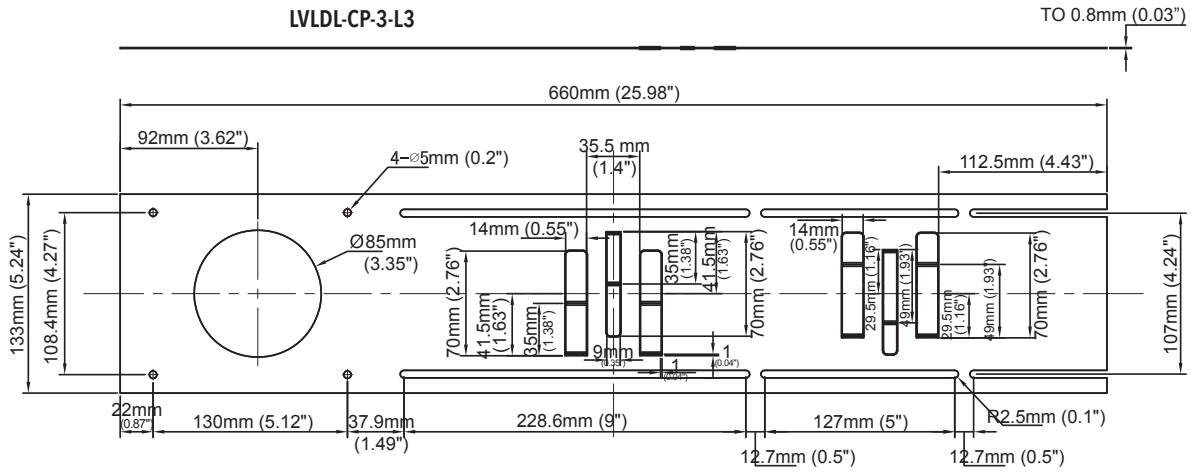


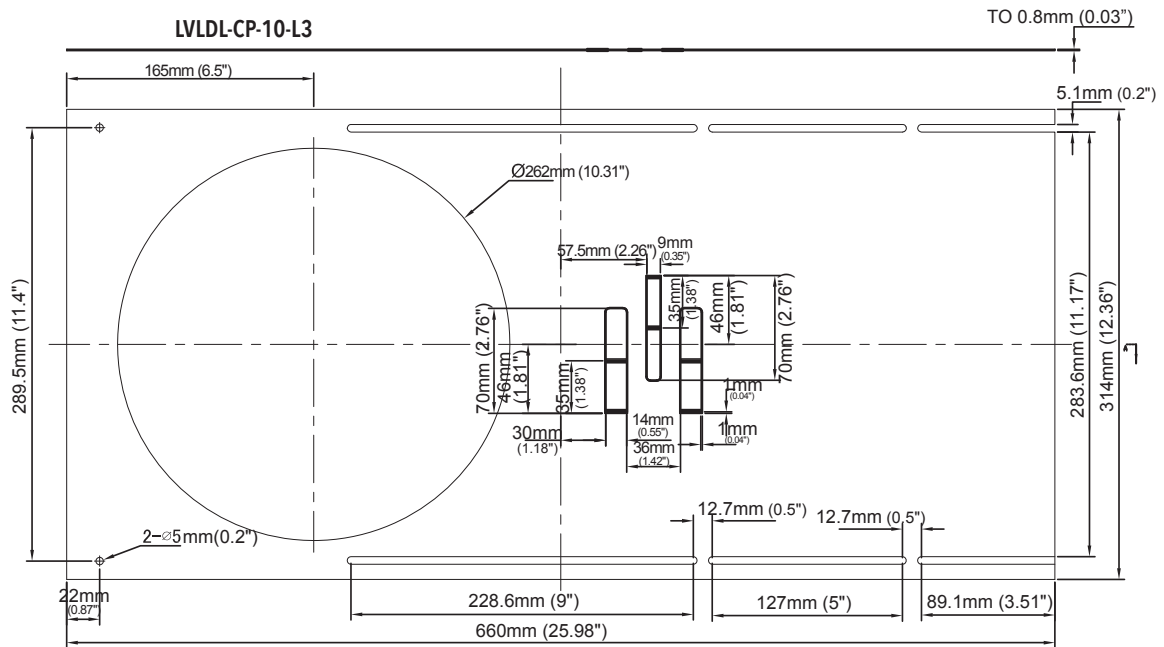
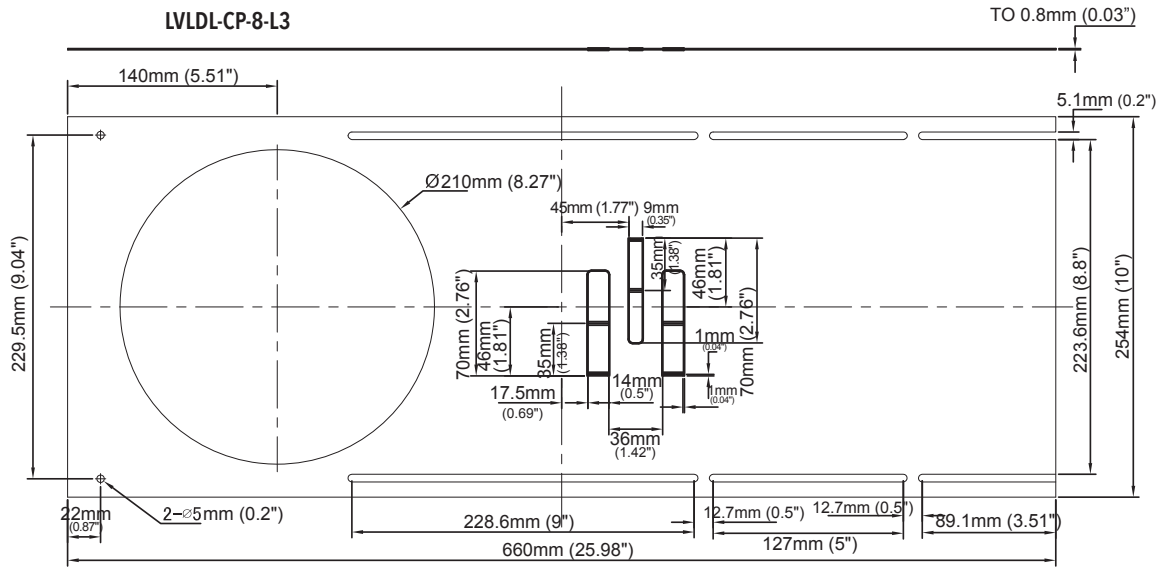
BEAUTY RINGS



Size	D3	D4
3"	84mm (3.31")	114mm (4.49")
4"	109mm (4.29")	139mm (5.47")
6"	160mm (6.3")	194mm (7.64")
8"	210mm (8.27")	245mm (9.65")
10"	261mm (10.28")	293mm (11.54")

CONSTRUCTION PLATES





LED Thin-Line Square Down Light GEN III

Designed for remodel and new construction, wet locations listed, Thin Line Down Lights are a versatile and affordable choice for countless applications.



FEATURES

- Low profile, perfect for shallow ceiling plenums
- No IC can required, for direct contact with insulation and combustible materials
- Two spring loaded clips to attach to any ceiling material
- 120 degrees beam spread
- Edge lit technology eliminates hot spots
- 80+ CRI
- Temperature rating: -20°C-45°C
- 50,000 hours life
- Dimmable with most ELV dimmers
- cETLus listed for wet locations
- White finish
- Interchangeable brushed nickel, black and bronze trim rings available (sold separately)

APPLICATIONS

- Kitchens & Pantries
- Laundry Rooms
- Bathrooms
- Lobbies
- Hallways
- Banquet Halls
- Elevators
- Retail lighting
- Restaurants
- Offices

SPECIFICATIONS

	4 inch	6 inch
Power Consumption (W)	9W	12W
Lumens		
3000K	627	962
4000K	704	1069
Dimming	Yes	
Appearance Size D1 x D2 x H	4.17" x 4.73" x 0.5" (106mm x 120mm x 13mm)	6.14" x 6.73" x 0.5" (156mm x 171mm x 13mm)
Dimensions (J-Box) D1 x D2 x H	3.74" x 3.5" x 1.3" (95mm x 89mm x 33mm)	
Installation Hole Size	4.33" (110mm)	6.3" (160mm)
Colour Rendering Index	80+	
Input Voltage	120V	
Colour Temperature	3000K / 4000K	
LEDs	Epistar	
Power Factor	0.95	

PRODUCT CODES

SQUARE

LVLDL - YYS - XX - WH - R - L3

LED Thin Line Square Down Lights Gen III	SIZE	LED COLOUR
	04 - 4"	WW - 3000K
	06 - 6"	NW - 4000K

SQUARE TRIM RINGS

(Sold Separately)

LVLDL - **04S** - TR - **XX** - L3

LVLDL - **06S** - TR - **XX** - L3

TRIM RING FINISH

BK - Black
BZ - Bronze
BN - Brushed Nickel

STEP-DOWN TRANSFORMERS

DLT-347

Step-down transformer
347/120V AC 25VA
(non-dimmable)

DLT-60-347

Step-down transformer
347/120V AC, 60VA
(non-dimmable)

DLT-100-347

Step-down transformer
347/120V AC, 100VA
(non-dimmable)

EXTENSION

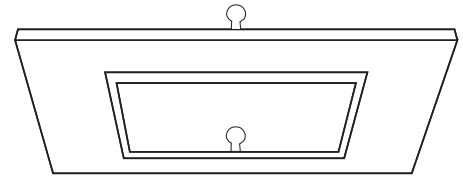
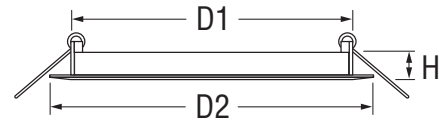
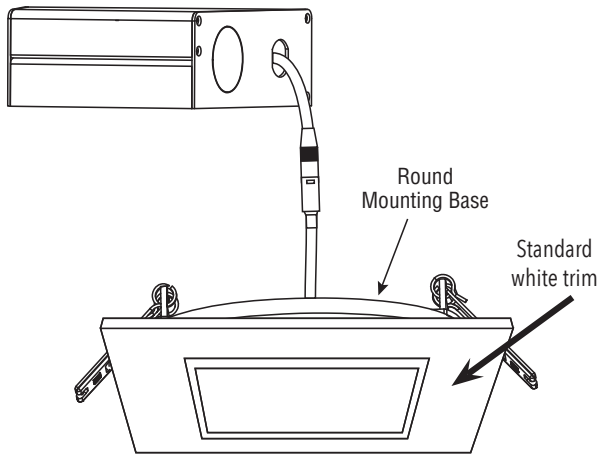
CORDS (for remote driver placement)

LV-DL-EX-10-L

10Ft extension cord

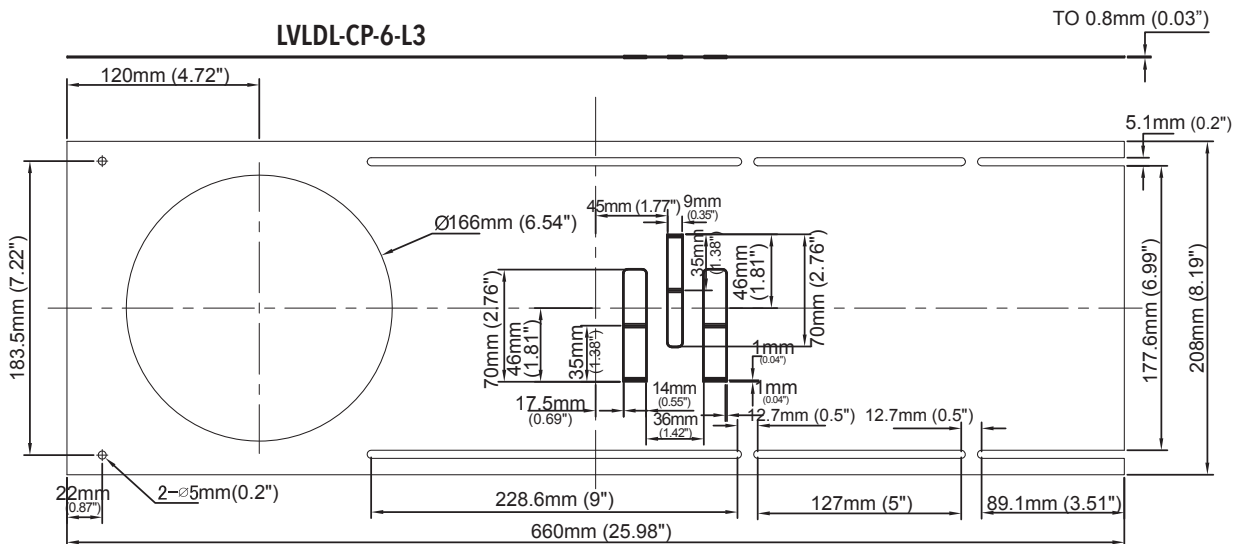
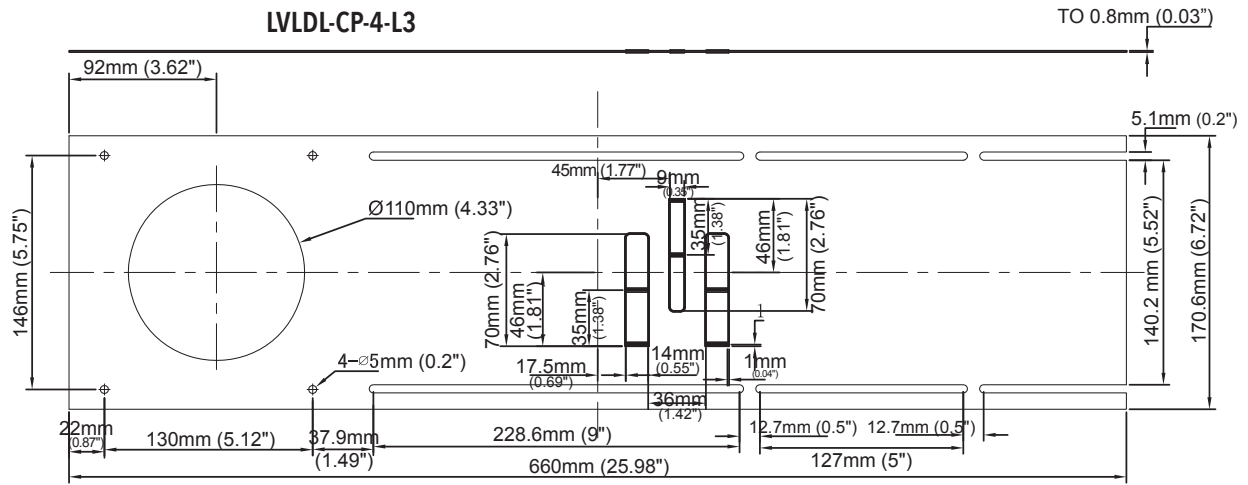
LV-DL-EX-30-L

30Ft extension cord



Interchangeable brushed nickel, black and bronze trim rings available (sold separately).

CONSTRUCTION PLATES



3-COLOUR TEMPERATURE LED Thin-Line Down Light

Designed for remodel and new construction, wet locations listed, Thin-Line Down Lights are a versatile and affordable choice for countless applications.



FEATURES

- Energy Star rated - up to 80% energy savings
- Dimmable to 5% with most ELV dimmers
- 120° beam spread
- Adjustable colour temperature 2700K/3000K/4000K
- Two spring loaded clips to attach to any ceiling material
- Wet locations listed
- Temperature rating: -20°C-45°C
- No IC can required, for direct contact with insulation and combustible materials
- The driver is wired for 120V input
- 50,000 hour life
- 5 year limited warranty
- Airtight
- cETLus and Energy Star listed
- White finish
- Interchangeable brushed nickel, black and bronze trim rings available (sold separately)

APPLICATIONS

- Kitchens & Pantries
- Laundry Rooms & Bathrooms
- Lobbies & Hallways
- Banquet Halls
- Elevators
- Retail lighting
- Restaurants
- Offices

SPECIFICATIONS

	3 inch	4 inch	6 inch
Power Consumption (W)	6W	9W	12W
Lumens			
2700K	360	686	935
3000K	390	728	975
4000K	420	749	978
Dimming	Yes		
Appearance Size D1 x D2 x H	3.15" x 3.74" x 0.5" (80mm x 95mm x 13mm)	4.17" x 4.73" x 0.5" (106mm x 120mm x 13mm)	6.14" x 6.85" x 0.5" (156mm x 174mm x 13mm)
Dimensions (J-Box) D1 x D2 x H	4.72" x 2.05" x 1.83" (120mm x 52.1mm x 46.5mm)	5.1" x 3.5" x 1.3" (129.6mm x 89mm x 33mm)	
Installation Hole Size	3.35" (85mm)	4.33" (110mm)	6.3" (160mm)
Colour Rendering Index	80+		
Input Voltage	120V		
Colour Temperature	2700K 3000K 4000K		
Approved Location	Wet		

NOTE: Each fixture ships with one constant current power supply.

PRODUCT CODES

LVLDL - YY - CCT - WH - R - L3

3 Colour
Temperature LED
Thin-Line Down
Lights

SIZE
03 - 3"
04 - 4"
06 - 6"

ROUND TRIM RINGS
(Sold Separately)

LVLDL - **03** - TR - **XX** - L3
LVLDL - **04** - TR - **XX** - L3
LVLDL - **06** - TR - **XX** - L3

TRIM RING FINISH

BK - Black
BZ - Bronze
BN - Brushed Nickel

BEAUTY RINGS
(Sold Separately)

LVLDL - BR - **3** - L3
LVLDL - BR - **4** - L3
LVLDL - BR - **6** - L3

† White finish only.

STEP-DOWN TRANSFORMERS

DLT-347

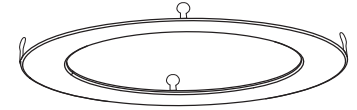
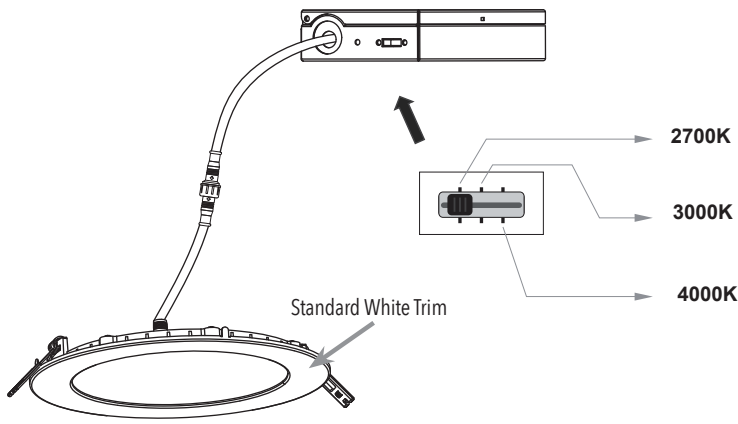
Step-down transformer 347/120V AC
25VA (non-dimmable)

DLT-60-347

Step-down transformer 347/120V AC
60VA (non-dimmable)

DLT-100-347

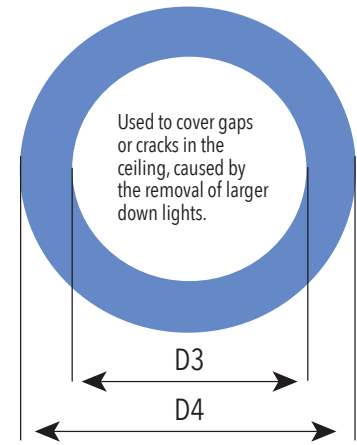
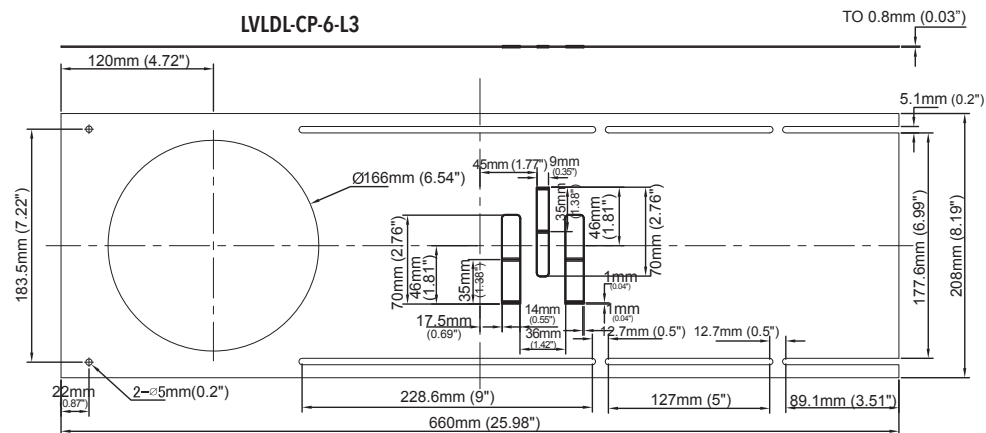
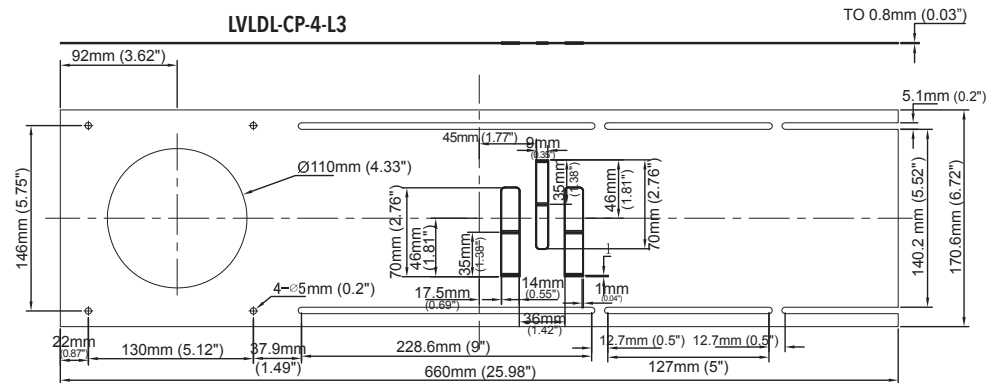
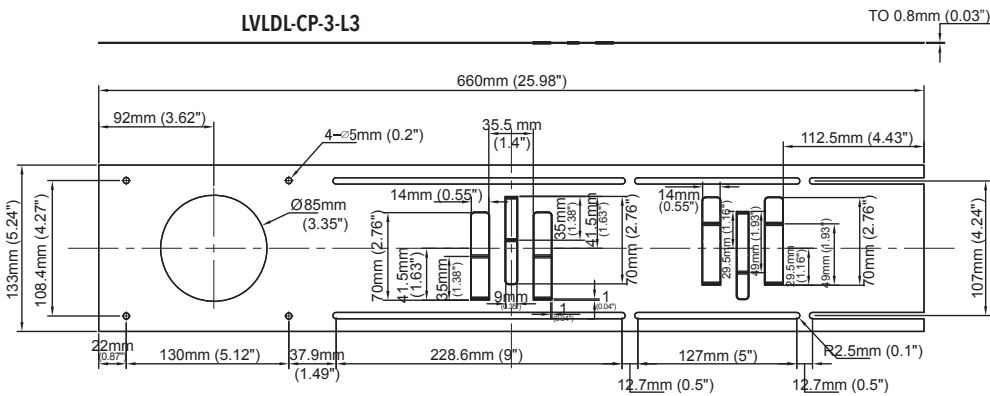
Step-down transformer 347/120V AC
100VA (non-dimmable)



Interchangeable brushed nickel, black and bronze trim rings available (sold separately).

CONSTRUCTION PLATES

BEAUTY RINGS



Size	D3	D4
3"	84mm (3.31")	114mm (4.49")
4"	109mm (4.29")	139mm (5.47")
6"	160mm (6.3")	194mm (7.64")
8"	210mm (8.27")	245mm (9.65")
10"	261mm (10.28")	293mm (11.54")

LED Regressed Down Light CCT

Designed for remodel and new construction, LED Regressed Down Lights CCT are a versatile and affordable choice for countless applications. Available in two great options: CCT adjustable with slider selector switch (2700K/3000K/4000K) or CCT adjustable with bluetooth technology (2700K-5000K).



FEATURES

- Two convenient options: Slider Switch CCT Adjustable (2700/3000/4000K) and Bluetooth CCT Adjustable (2700-5000K) through the free smartphone app
- 120° beam spread
- Dimmable: Slider Switch CCT Adjustable with Electronic Low Voltage (ELV) dimmers, and Bluetooth CCT Adjustable through the smartphone app
- Two spring loaded clips to attach to any ceiling material
- White finish. Interchangeable satin nickel, black and bronze trim rings available (sold separately).
- Bluetooth CCT Adjustable linkable up to 100 fixtures, individual and zonal control possible through the smartphone app
- Regressed design to reduce glare
- Suitable for damp locations
- Temperature rating: -20°C-45°C
- The driver is wired for 120V input
- Optional 347V Step-Down Transformer
- 90+ CRI
- 50,000 hour life
- 3 year limited warranty
- cETLus and Energy Star listed

SPECIFICATIONS

Colour Temperature	Slider Switch CCT Adjustable: 2700/3000/4000K Bluetooth CCT Adjustable: 2700-5000K
Input Voltage	AC100-277V
Power Consumption (W)	4" = 9 watts 6" = 12 watts
Lumen Output	4" = 630LM 6" = 840LM
Luminous Efficacy	70LM/W
Operating Temperature	-20°C to 40°C
Colour Rendering Index	90+
Installation Hole size	4" = 4.13" (105mm) 6" = 6.18" (157mm)
LED Life (hours)	50,000
Approvals	cETLus, Energy Star

APPLICATIONS

- Kitchens & Pantries
- Lobbies & Hallways
- Banquet Halls
- Elevators
- Retail
- Restaurants
- Offices

PRODUCT CODES

CCT SWITCH ADJUSTABLE
RGL - 4B - 9W - SW
RGL - 6B - 12W - SW

CCT BLUETOOTH ADJUSTABLE
RGL - 4B - 9W - BT
RGL - 6B - 12W - BT

TRIM RINGS (Sold Separately)
RGL - 4 - TR - **XX**
RGL - 6 - TR - **XX**

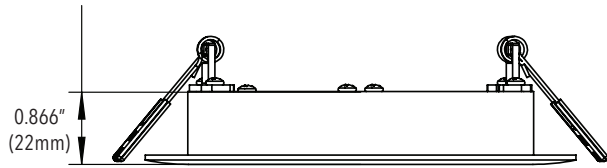
TRIM RING FINISH
BK - Black
BZ - Bronze
SN - Satin Nickel

STEP-DOWN TRANSFORMERS

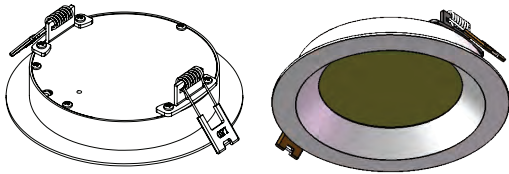
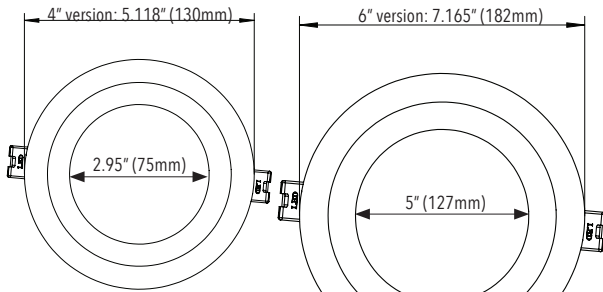
DLT-347
Step-down transformer 347/120V AC
25VA (non-dimmable)

DLT-60-347
Step-down transformer 347/120V AC
60VA (non-dimmable)

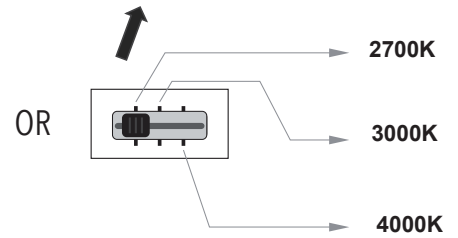
DLT-100-347
Step-down transformer 347/120V AC
100VA (non-dimmable)



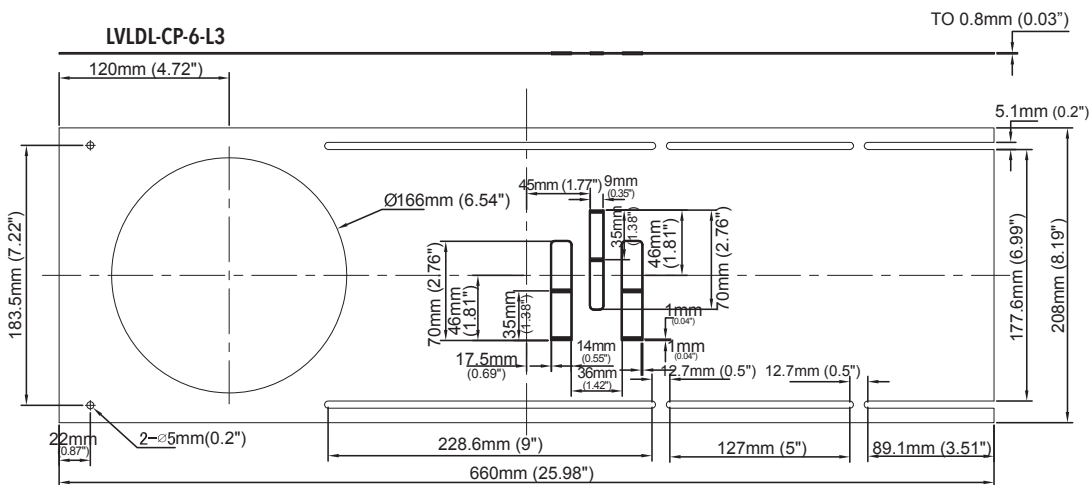
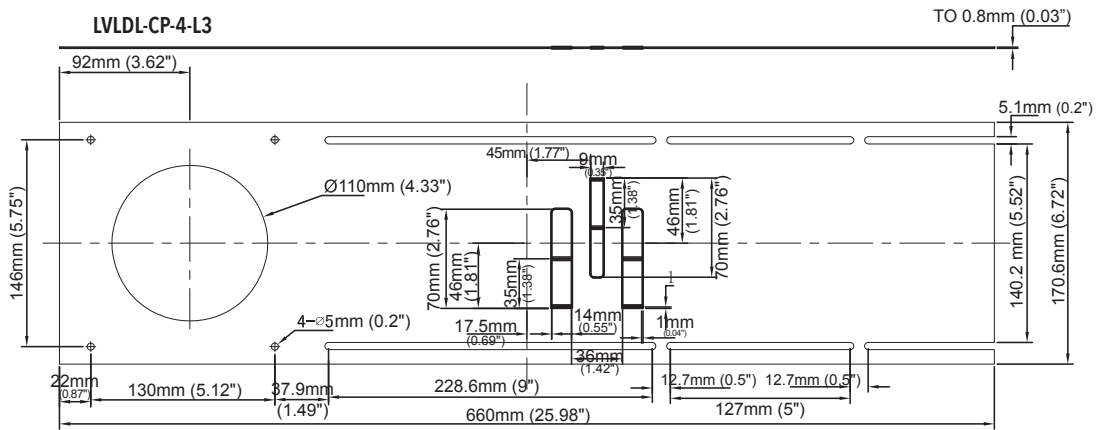
Available in Switch OR Bluetooth CCT control.



2700K-5000K



CONSTRUCTION PLATES



High Power Thin-line LED Down Lights

High Power Thin-line LED Down Lights are a breakthrough in LED down light technology. Clever placement of SMD2835 LEDs around our diffusing glass lens provide brilliant and efficient LED lighting from a fixture that is only 1" (25mm) thick. High Power Thin-line LED Down Lights are designed for retrofit and new construction installations and are very simple to install. They are ideal for shallow ceiling plenums since no IC can or box is required above the fixture.



FEATURES

- Energy Star rated - up to 80% energy savings
- Dimmable to 5% with most ELV dimmers
- 120° beam spread
- Warm White and Neutral White colour temperatures
- Two spring loaded clips to attach to any ceiling material
- cETLus listed for damp locations
- No IC can required, for direct contact with insulation and combustible materials
- Connects directly to 120V power supply
- Optional 347V Step-Down Transformer (non-dimmable)
- 50,000 hour life
- 5 year limited warranty
- Airtight
- cETLus and Energy Star listed

RESIDENTIAL APPLICATIONS

- Kitchens
- Pantries
- Laundry rooms
- Under soffits (outdoor)

COMMERCIAL APPLICATIONS

- Lobbies
- Hallways
- Banquet halls
- Elevators
- Stairways
- Retail
- Restaurants
- Office lighting
- Under cabinet
- In cabinet
- Wall mount for egress lighting
- Under soffits (outdoor)

SPECIFICATIONS

Electrical	Input: AC 100 - 120V 4" = 11W, 42V DC, 280mA constant current 6" = 15W, 42V DC, 350mA constant current 8" = 25W, 42V DC, 500mA constant current
Number of SMD2835 LEDs	4" = 72 6" = 120 8" = 192
LED Life	50,000 hours
Lumen Output	4" = 1068 WW, 1072 NW 6" = 1425 WW, 1483 NW 8" = 2575 WW, 2648 NW
Lumen Efficacy (LPW)	4" = 97 WW, 97 NW 6" = 95 WW, 99 NW 8" = 103 WW, 106 NW
Colour Temperature	3000K / 4000K
CRI	> 80
Approvals	cETLus listed for damp locations, Energy Star rated

NOTE: Each fixture ships with one constant current power supply.

PRODUCT CODES

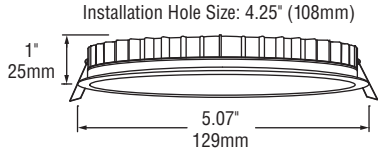
LVLDL - HP - XX - YY - WH - R

High Power Thin-line LED Down Light	SIZE 04 - 4" 06 - 6" 08 - 8"	LED COLOUR WW - 3000K NW - 4000K	TRIM COLOUR WH - White Gloss Enamel
---	---------------------------------------	--	---

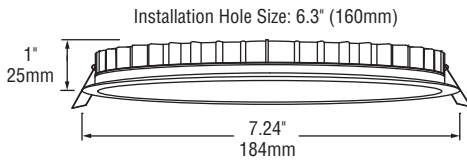
STEP-DOWN TRANSFORMERS

- DLT-347**
Step-down transformer
347/120V AC 25VA
(non-dimmable)
- DLT-60-347**
Step-down transformer
347/120V AC, 60VA
(non-dimmable)
- DLT-100-347**
Step-down transformer
347/120V AC, 100VA
(non-dimmable)

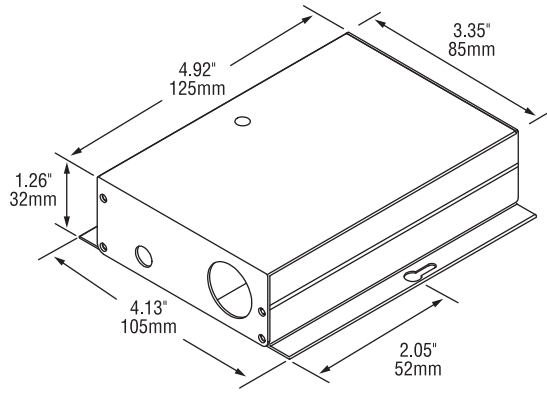
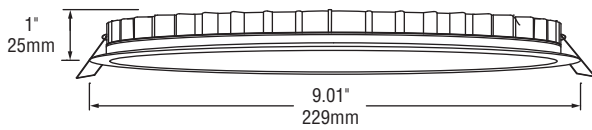
4" High Power Thin-line LED Down Light



6" High Power Thin-line LED Down Light

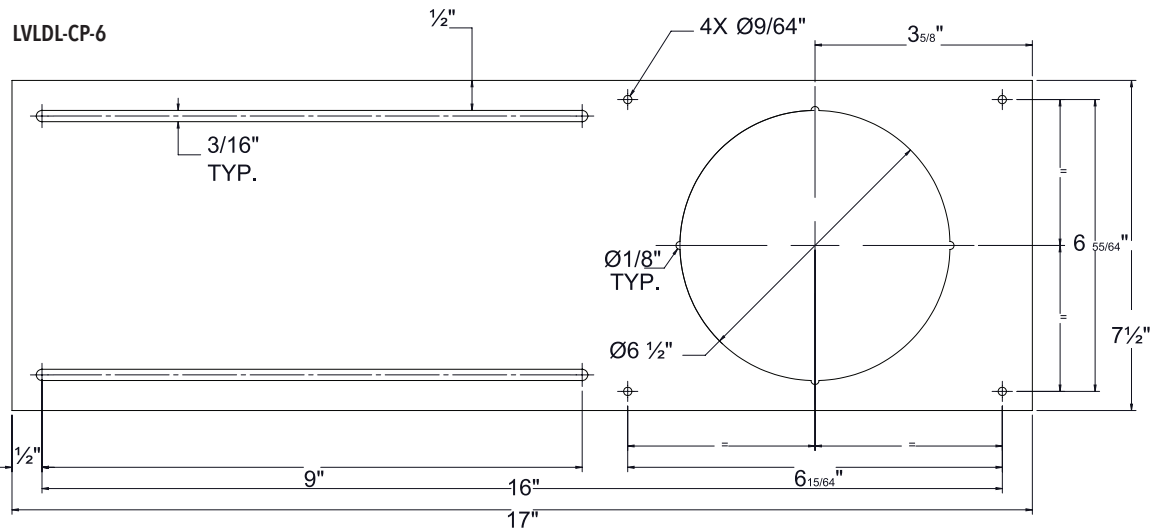
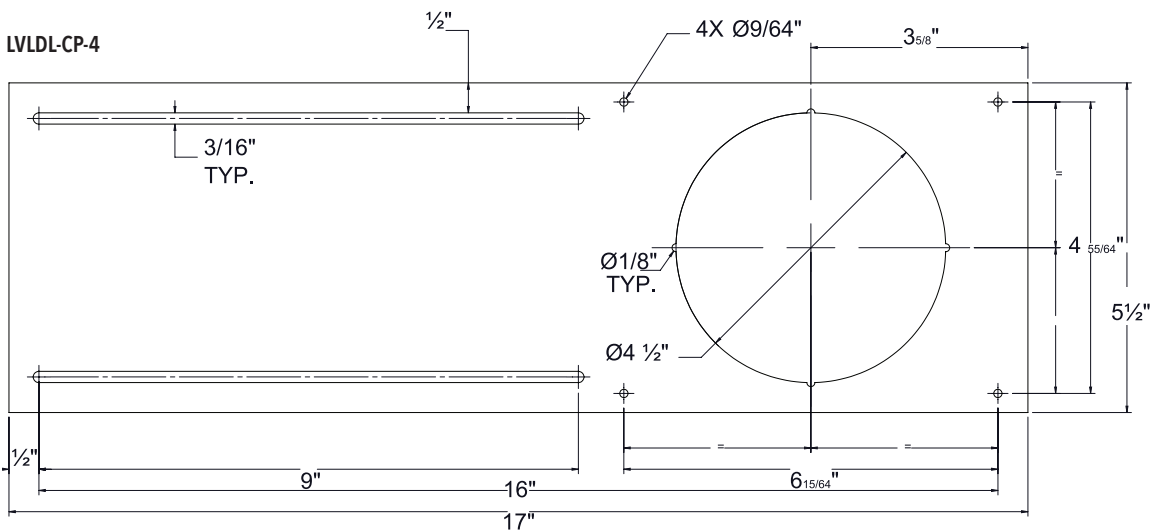


8" High Power Thin-line LED Down Light



High Power Remote Driver

CONSTRUCTION PLATES



LED Gimbal Down Lights

Our new and improved directional LED Gimbal Down Lights, are the perfect solution for a multitude of residential and commercial applications. The adjustable LED gimbal fixtures are 80% more efficient than incandescent luminaires and they are available in multiple trim finish options to match any style of décor.



GDL-3

FEATURES

- Energy efficient - up to 80% energy savings
- High Brightness COB LED's
- Low power consumption
- Warm White and Neutral White colour temperatures
- Available in two beam angles
- New Construction, IC and remote installations
- cETLus listed for direct contact with insulation and combustible materials
- Easy to install, modular design
- 50,000 hour life
- 3 year limited warranty

RESIDENTIAL APPLICATIONS

- Kitchens
- Pantries
- Laundry rooms
- Bathrooms

COMMERCIAL APPLICATIONS

- Lobbies
- Hallways
- Elevators
- Stairways
- Retail
- Restaurants
- Office lighting

PRODUCT CODES

GDL - 3 - 9W - ZZ - XX - YY

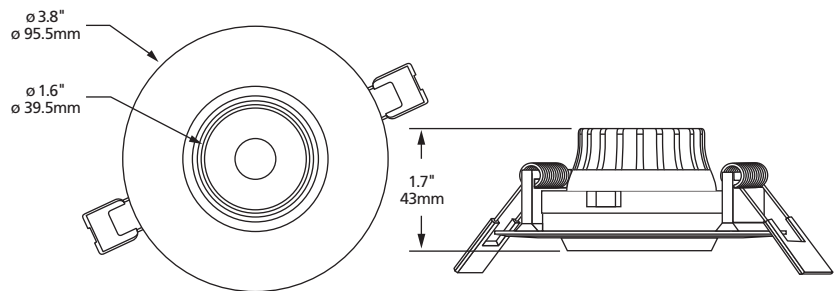
LED	BEAM ANGLE	LED COLOUR	TRIM FINISH
Gimbal	25° - 25°	WW - 3000K	WH - White Gloss Enamel
Down	36° - 36°	NW - 4000K	BK - Black
Light			BZ - Bronze
			SN - Satin Nickel

Note : WH finish is stock, all other options are special order, MOQ required.

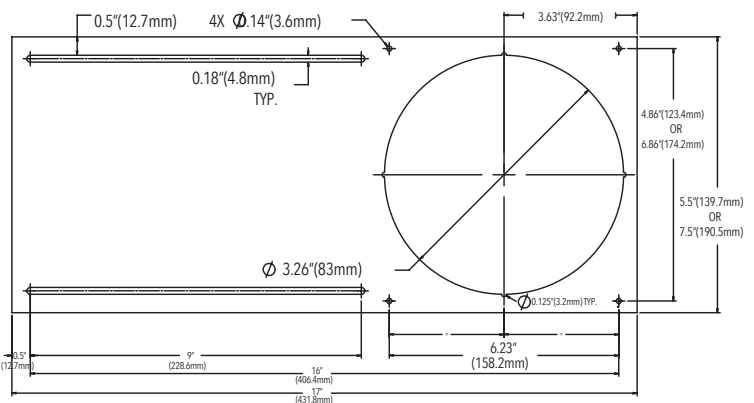
SPECIFICATIONS

Power Consumption	9W
Input Voltage	21V DC*, 320mA constant current
Beam Angle	25/36°
Colour Temperature	
WW	3000K
NW	4000K
Lumens	
WW	650
NW	700
Size (mm)	43 X 95.5
Approvals	cETLus listed for damp locations

* Each fixture ships with one constant current power supply.



LVLDL-CP-3



LED Gimbal Down Lights

Our new and improved directional LED Gimbal Down Lights, are the perfect solution for a multitude of residential and commercial applications. The adjustable LED gimbal fixtures are 80% more efficient than incandescent luminaires and they are available in multiple trim finish options to match any style of décor.



GDL-4

FEATURES

- Energy efficient - up to 80% energy savings
- High Brightness COB LED's
- Low power consumption
- Warm White and Neutral White colour temperatures
- Available in two beam angles
- New Construction, IC and remote installations
- cETLus listed for direct contact with insulation and combustible materials
- Easy to install, modular design
- 50,000 hour life
- 3 year limited warranty

RESIDENTIAL APPLICATIONS

- Kitchens
- Pantries
- Laundry rooms
- Bathrooms

COMMERCIAL APPLICATIONS

- Lobbies
- Hallways
- Elevators
- Stairways
- Retail
- Restaurants
- Office lighting

PRODUCT CODES

GDL - 4 - 12W - ZZ - XX - YY

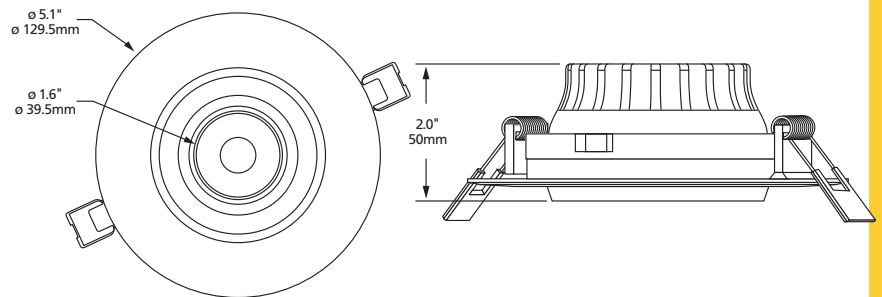
LED	BEAM ANGLE	LED COLOUR	TRIM FINISH
Gimbal	25 - 25°	WW - 3000K	WH - White Gloss
Down	36 - 36°	NW - 4000K	Enamel
Light			BK - Black
			BZ - Bronze
			SN - Satin Nickel

Note : WH finish is stock, all other options are special order, MOQ required.

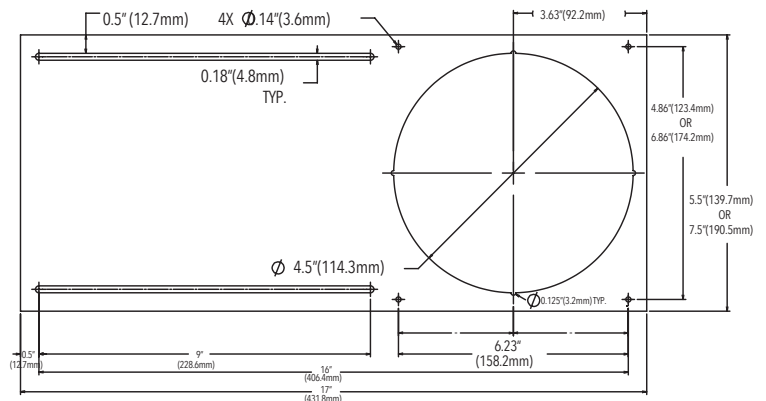
SPECIFICATIONS

Power Consumption	12W
Input Voltage	30V DC*, 320mA constant current
Beam Angle	25/36°
Colour Temperature	
WW	3000K
NW	4000K
Lumens	
WW	870
NW	930
Size (mm)	50 X 129.5
Approvals	cETLus listed for damp locations

* Each fixture ships with one constant current power supply.



LVLDL-CP-4



Round LED Surface Mount Down Lights

LED Surface Mount Down Light is a low-profile down light intended for ceiling mount applications. Features driver on board (DOB) technology, with no external driver needed. These flush mount LED ceiling lights mount directly into a 4" junction box. Ideal for general LED Lighting in residential and commercial applications.



FEATURES

- Driver on Board Technology, provides a 120V alternating current source and eliminates the need for traditional LED driver
- Quick & easy to install on standard junction box, ceiling mount with mounting plate
- Temperature rating: -20°C-40°C
- Die-cast aluminum housing
- Smooth and continuous dimming, dimmable with most ELV dimmers
- Rated for 50,000 hours
- No light bulbs to replace or dispose
- Instant full brightness (including in sub-zero temperatures)
- 80+ CRI
- cETLus listed for wet locations
- 5 year limited warranty

RESIDENTIAL APPLICATIONS

- Kitchens
- Pantries
- Laundry rooms
- Under soffits (outdoor)

COMMERCIAL APPLICATIONS

- Lobbies
- Hallways
- Banquet halls
- Elevators
- Stairways
- Retail
- Restaurants
- Office lighting
- Under cabinet
- In cabinet
- Wall mount for egress lighting
- Under soffits (outdoor)

SPECIFICATIONS

	LVLDL-SR-06-XX-WH-L	LVLDL-SR-08-XX-WH-L	LVLDL-SR-10-XX-WH-L	LVLDL-SR-12-XX-WH-L
LED Colour	White			
Colour Temperature CCT	3000K / 4000K			
Input Voltage	120V			
Power Consumption (W)	11	14	17	22
Lumens				
WW	880	1000	1200	1800
NW	900	1050	1250	1850
Luminous Efficacy (LPW)				
WW	80	71	70	82
NW	82	75	73	84
Colour Rendering Index	>80			
Dimmable	Yes			
Life Span (hours)	50,000 hrs			
LEDs	Epistar			
Appearance Size	6" D x 1" H (152mm D x 25mm H)	8" D x 1" H (203mm D x 25mm H)	10" D x 1" H (254mm D x 25mm H)	12" D x 1" H (305mm D x 25mm H)

PRODUCT CODES

LVLDL - SR - YY - XX - WH - L

Round LED
Surface Mount
Down Light

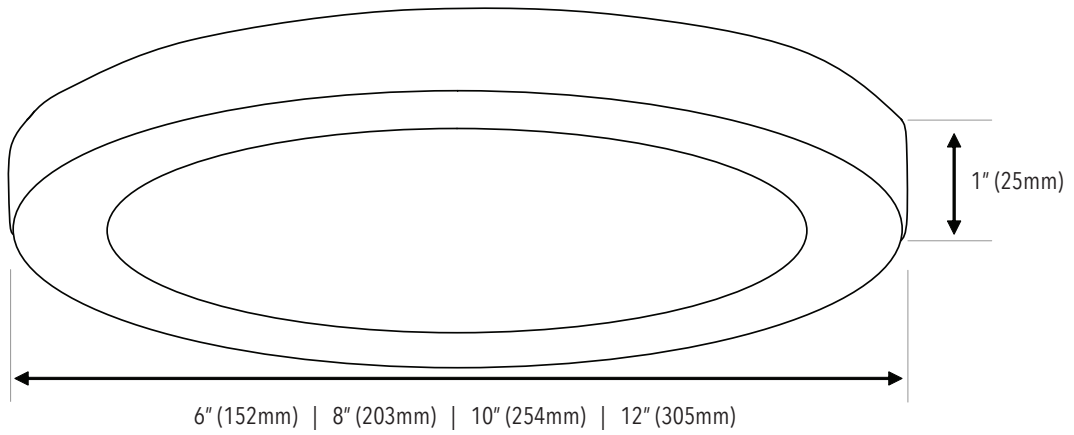
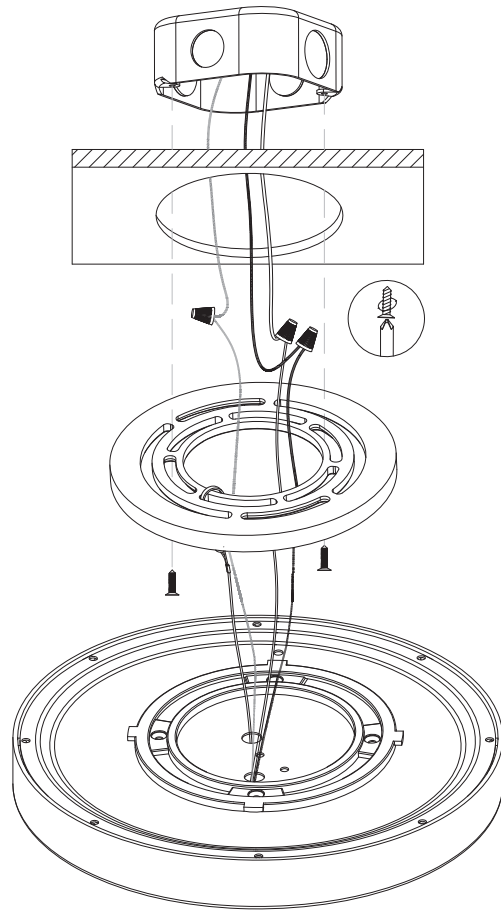
SIZE
06 - 6"
08 - 8"
10 - 10"
12 - 12"

LED COLOUR
WW - 3000K
NW - 4000K

ROUND TRIM RINGS (Sold Separately)

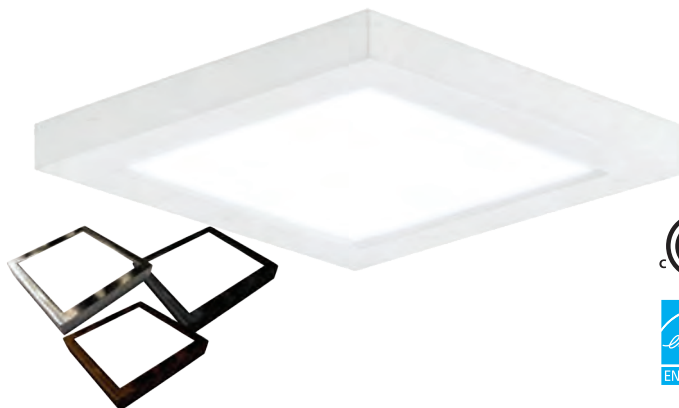
- LVLDL - SR - **06** - TR - **XX** - L
- LVLDL - SR - **08** - TR - **XX** - L
- LVLDL - SR - **10** - TR - **XX** - L
- LVLDL - SR - **12** - TR - **XX** - L

TRIM RING FINISH
BK - Black
BZ - Bronze
BN - Brushed Nickel



Square LED Surface Mount Down Lights

LED Surface Mount Down Light is a low-profile down light intended for ceiling mount applications. Features driver on board (DOB) technology, with no external driver needed. These flush mount LED ceiling lights mount directly into a 4" junction box. Ideal for general LED Lighting in residential and commercial applications.



FEATURES

- Driver on Board Technology, provides a 120V alternating current source and eliminates the need for traditional LED driver
- Quick & easy to install on standard junction box, ceiling mount with mounting plate
- Die-cast aluminum housing
- Smooth and continuous dimming, dimmable with most ELV dimmers
- Temperature rating: -20°C-40°C
- No light bulbs to replace or dispose
- Instant full brightness (including in sub-zero temperatures)
- 80+ CRI
- cETLus listed for wet locations
- Interchangeable brushed nickel, black and bronze trim rings available (sold separately)

RESIDENTIAL APPLICATIONS

- Kitchens
- Pantries
- Laundry rooms
- Under soffits (outdoor)

COMMERCIAL APPLICATIONS

- Lobbies
- Hallways
- Banquet halls
- Elevators
- Stairways
- Retail
- Restaurants
- Office lighting
- Under cabinet
- In cabinet
- Wall mount for egress lighting
- Under soffits (outdoor)

SPECIFICATIONS

	LVLDL-SS-06-XX-WH-L	LVLDL-SS-08-XX-WH-L	LVLDL-SS-10-XX-WH-L	LVLDL-SS-12-XX-WH-L
LED Colour	White			
Colour Temperature CCT	3000K / 4000K			
Input Voltage	120V			
Power Consumption (W)	11	14	17	22
Lumens				
WW	880	1000	1200	1800
NW	900	1050	1250	1850
Luminous Efficacy (LPW)				
WW	80	71	70	82
NW	82	75	73	84
Colour Rendering Index	>80			
Dimmable	Yes			
Life Span (hours)	50,000 hrs			
LEDs	Epistar			
Appearance Size	6" D x 1" H (152mm D x 25mm H)	8" D x 1" H (203mm D x 25mm H)	10" D x 1" H (254mm D x 25mm H)	12" D x 1" H (305mm D x 25mm H)

PRODUCT CODES

LVLDL - SS - YY - XX - WH - L

Square LED
Surface Mount
Down Light

SIZE
06 - 6"
08 - 8"
10 - 10"
12 - 12"

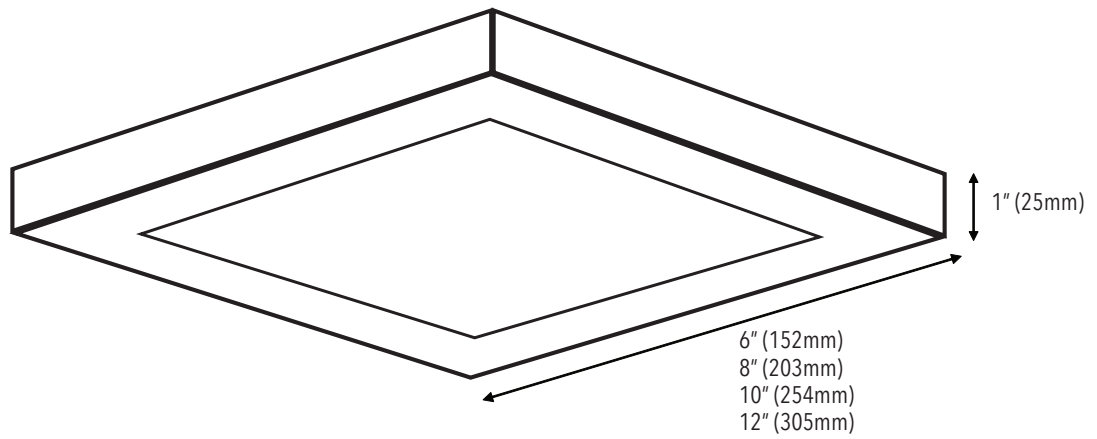
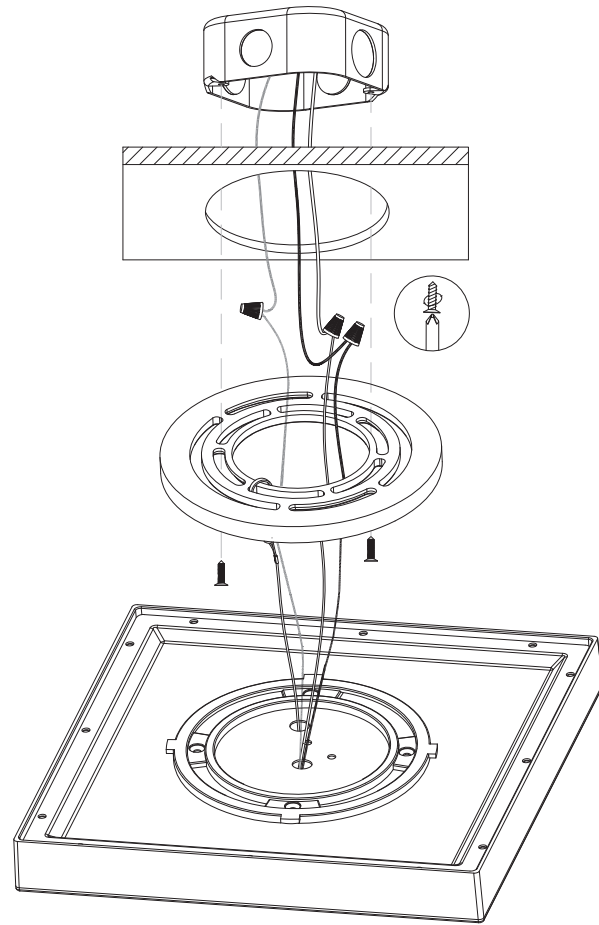
LED COLOUR
WW - 3000K
NW - 4000K

SQUARE TRIM RINGS (Sold Separately)

- LVLDL - SS - 06 - TR - XX - L
- LVLDL - SS - 08 - TR - XX - L
- LVLDL - SS - 10 - TR - XX - L
- LVLDL - SS - 12 - TR - XX - L

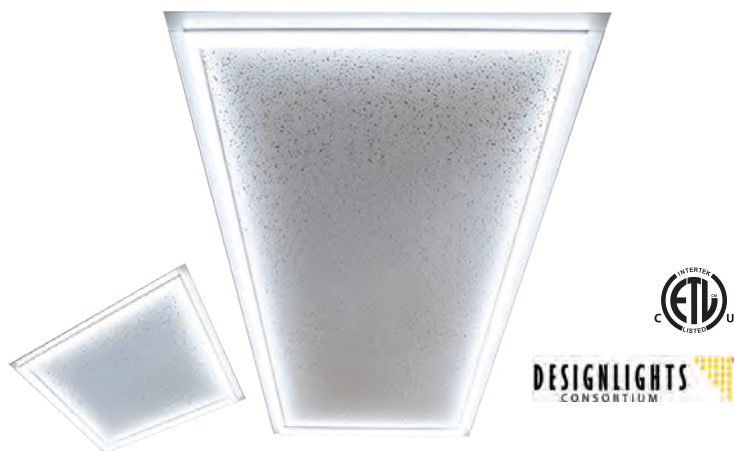
TRIM RING FINISH

- BK - Black
- BZ - Bronze
- BN - Brushed Nickel



T-LED Edge Light

T-LED Edge Light is an innovative solution for general and accent lighting in offices, hallways and commercial applications. Its perimeter illumination offers a unique edge lit look, replacing the traditional flat panels and troffers at a fraction of the cost.



FEATURES

- Ideal replacement for traditional flat panels and troffers at a fraction of the cost
- Non-flicker, no dark spots
- Installs in minutes
- AC100-277V, 0-10V dimmable
- cETLus, DLC premium
- Ambient temperature: -20°C - 45°C
- Available in 2X2 and 2X4 versions
- Available in 3000K and 4000K
- Dry locations
- 5 year limited warranty

APPLICATIONS

- Retail
- Offices
- Hallways
- Elevators
- Banquet Halls
- Restaurants

SPECIFICATIONS

Colour Temperature	3000K or 4000K
Input Voltage	AC100-277V
Power Consumption (W)	2X2=40 Watts 2X4=55 Watts
Lumen Output	2X2=4800LM 2X4=6600LM
LED Type	Integral SMD 2835 LEDs
Luminous Efficacy	120 Lumens per watt
Beam angle	120°
Colour Rendering Index	>80
LED Life (hours)	50,000
Dimmable	0-10V
Approvals	cETLus, DLC

PRODUCT CODES

TLE - **2X2 - 40 - 30**

TLE - **2X2 - 40 - 40**

TLE - **2X4 - 55 - 30**

TLE - **2X4 - 55 - 40**



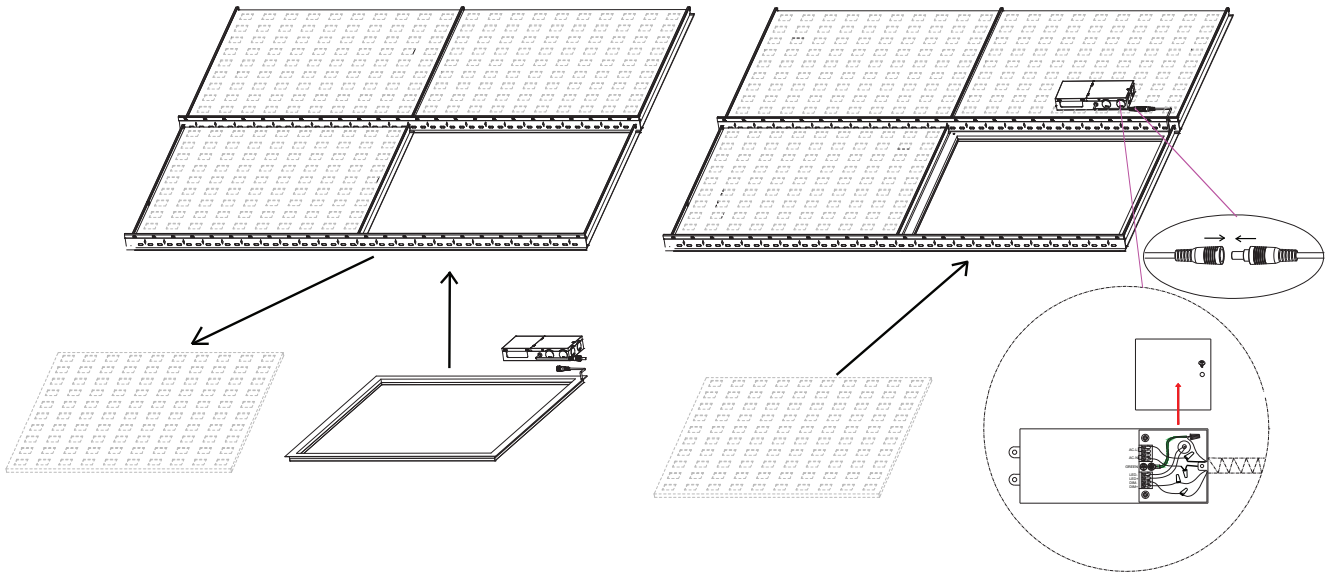
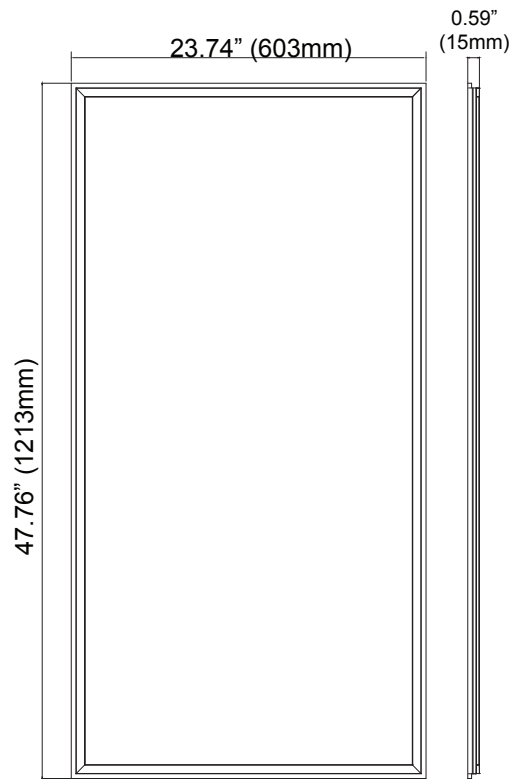
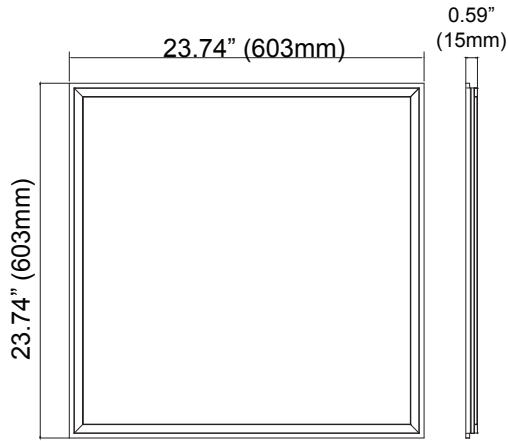
EXTENSION CORDS
(for remote driver placement)

TLE-EX-10

10 Ft extension cord

TLE-EX-30

30Ft extension cord



ACCESSORIES



TLE-DM
Driver mount bracket (for mounting the bracket to the T-BAR)



TLE-MC
Mounting clips (for fixture wire suspension)



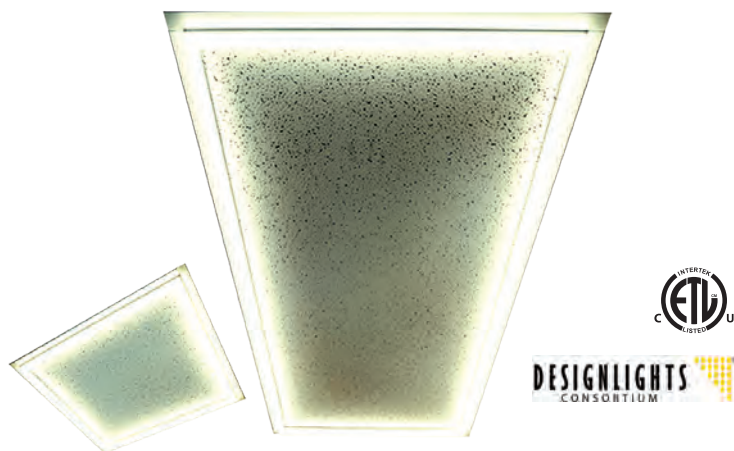
YT20E-XXL
Emergency LED Driver
Input voltage: 120-277V AC
Output voltage: 30-60V DC
Output power: 20W
Emergency functioning time: >1.5 hours
Dimensions: 17.7"x1.26"x0.83" (450mm x 32mm x 21mm)

NOTE: driver mount bracket (TLE-DM), and mounting clips (TLE-MC) are available (sold separately). Please check your local building codes, if these accessories are required.

T-LED Edge Light CCT

T-LED Edge Light CCT is an innovative solution for general and accent lighting in offices, hallways and commercial applications. Its perimeter illumination offers a unique edge lit look, replacing the traditional flat panels and troffers at a fraction of the cost. Our CCT and wattage adjust features make T-LED all the more versatile.

AC100-277V, 0-10V dimmable technology that offers an ideal replacement for traditional flat panels and troffers.



FEATURES

- Ideal replacement for traditional flat panels and troffers at a fraction of the cost
- Non-flicker, no dark spots
- Installs in minutes
- AC100-277V, 0-10V dimmable
- cETLus, DLC premium
- Ambient temperature: -20°C - 45°C
- Available in 2X2 and 2X4 versions
- Adjustable wattage: 2X2: 20W/30W/40W
2X4: 40W/50W/60W
- Adjustable colour temperature: 3500K/4000K/5000K
- Dry locations
- 5 year limited warranty

APPLICATIONS

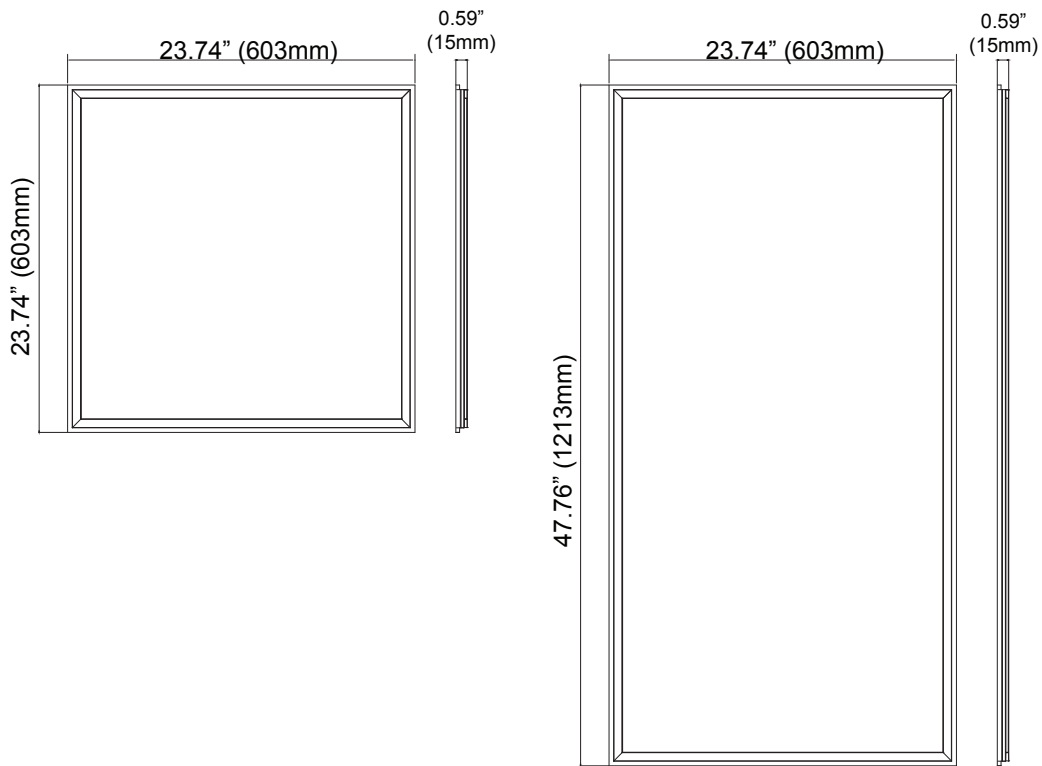
- Retail
- Offices
- Hallways
- Elevators
- Banquet Halls
- Restaurants

PRODUCT CODES

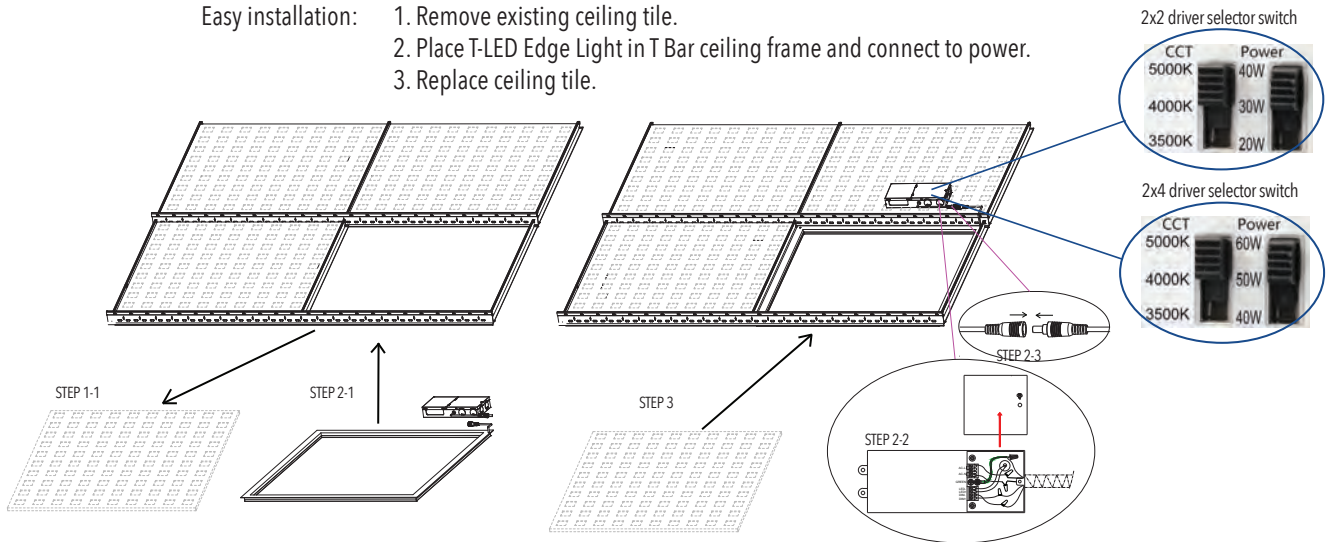
TLE-2X2-K40-3050
TLE-2X4-K60-3050

SPECIFICATIONS

Colour Temperature	3500/4000/5000K adjustable
Input Voltage	AC100-277V
Power Consumption (W)	2X2=20/30/40 watts adjustable 2X4=40/50/60 watts adjustable
Lumen Output	2X2=2200-4400LM 2X4=4400-6600LM
LED Type	Integral SMD 2835 LEDs
Luminous Efficacy	120 Lumens per watt
Beam angle	120°
Colour Rendering Index	>80, >95 for 3500K
LED Life (hours)	50,000
Dimmable	0-10V
Approvals	cETLus, DLC



Easy installation: 1. Remove existing ceiling tile.
2. Place T-LED Edge Light in T Bar ceiling frame and connect to power.
3. Replace ceiling tile.



ACCESSORIES



TLE-DM
Driver mount bracket (for mounting the bracket to the T-BAR)



TLE-MC
Mounting clips (for fixture wire suspension)



YT20E-XXL
Emergency LED Driver
Input voltage: 120-277V AC
Output voltage: 30-60V DC
Output power: 20W
Emergency functioning time: >1.5 hours
Dimensions: 17.7"x1.26"x0.83" (450mm x 32mm x 21mm)

NOTE: driver mount bracket (TLE-DM), and mounting clips (TLE-MC) are available (sold separately). Please check your local building codes, if these accessories are required.

Tri-Proof Lights

Tri-Proof Lights are an attractive and durable lighting solution that can replace traditional linear fluorescent luminaires. Tri-Proof Lights are extremely rugged, resistant to heavy impacts, dust proof, water proof and vandal resistant making them ideal for environments such as factories, warehouses, parking garages and car washes yet stylish enough for commercial and residential applications like stairwells, hallways, schools, supermarkets, apartment and condo complexes.



FEATURES

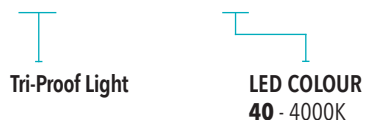
- Water-proof (IP66), Dust-proof, Pressure-proof (IK10)
- Luminous Efficacy (LPW): 110-120
- Available in 4 ft. length / 40W version
- Excellent heat dissipation
- 50,000 hours life
- Energy efficient - up to 80% energy savings
- Operating Temperature -22°F - 113°F (-30°C - 45°C)
- Vandal Resistant
- cETLus
- 5 year limited warranty

APPLICATIONS

- Parking garages
- Tunnels
- Airports
- Exhibition halls
- Railway, bus and subway stations
- Warehouses and factories
- Supermarkets
- Schools

PRODUCT CODES

SL66 - 4FT - 40W - XX



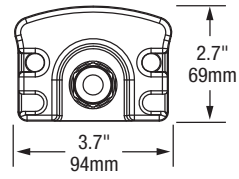
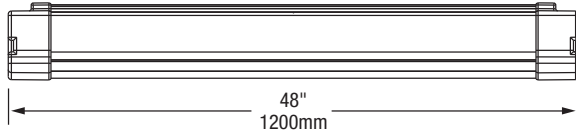
Note: MOQ may apply.

SPECIFICATIONS

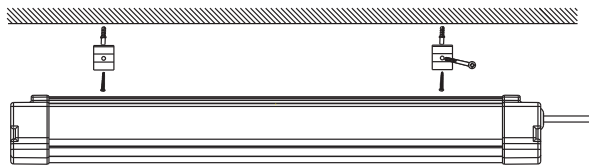
Electrical	100-240V/277V
Working Voltage	34-40V DC, 40W
Power Efficiency	90%
LEDs	High bright SMD2835
Number of LEDs	240
Luminous Efficacy	110-120 LM/W
THD	< 15%
CRI	> 80
Beam Angle	120°
Approvals	cETLus listed

* Each fixture ships with two strain relief connectors

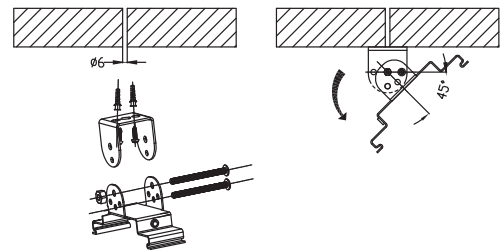
Dimensions



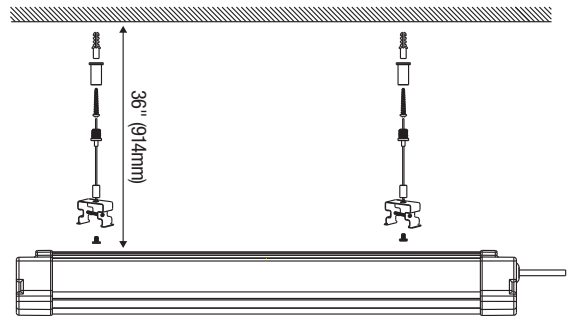
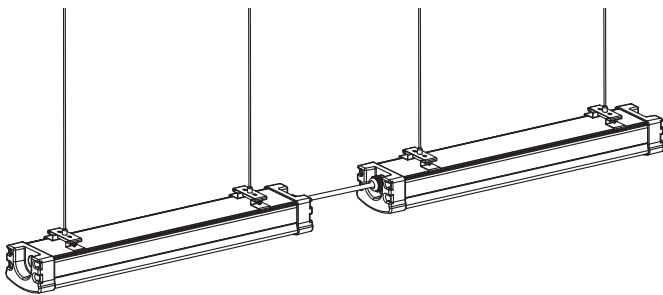
Surface Ceiling Mounting (Standard)



Swivel Mount Kit
(Part# SL66-AD-MC) Sold Separately



Suspended Mounting (Suspension Kit - Part# SL66-SUS-KIT) Sold Separately



100W LED Work Light

The LED Work Light is an energy savings, impact resistant long life temporary lighting solution for illuminating workplaces, shops, garages, and warehouses.



FEATURES

- Spring Loaded Hook
- 10ft power cord with plug
- 6KV/10KV surge protection
- Hidden, built-in hidden socket
- Eye-catching housing
- Stainless steel guard
- Epistar LEDs
- Hollow Heat Sink
- Silicone gaskets for damp location use
- 5 year limited warranty

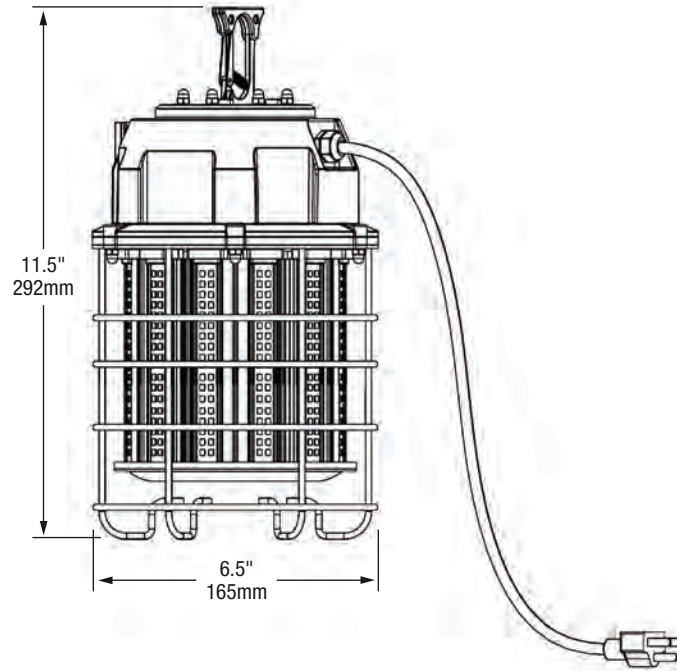
PRODUCT CODES

LWL-100W-50

SPECIFICATIONS

Electrical	AC100-277V, 100W, 50-60Hz
Surge Protection	6KV
Driver	Internal Driver
LEDs	Epistar 2835
Number of LEDs	408
Life Span	50,000 hours
Lumen Output	12,500 lumens
Luminous Efficacy	125 LM/W
CRI	>80
CCT	5000 K
Beam Angle	360°
Dimensions	6.5" x 11.5" H (165 mm x 292 mm)
Net Weight	2.8 kg
Approvals	DLC, cUL, listed for damp location

Dimensions



ACCESSORIES



LWL-MM
Magnet mount kit



LWL-FM
Floor mount kit



LWL-TM
Tripod mount kit

60W LED Work Light

60W LED Work Light offers energy-saving, impact-resistant, long-life, temporary lighting solutions for illuminating construction sites, shops, garages, and warehouses.



FEATURES

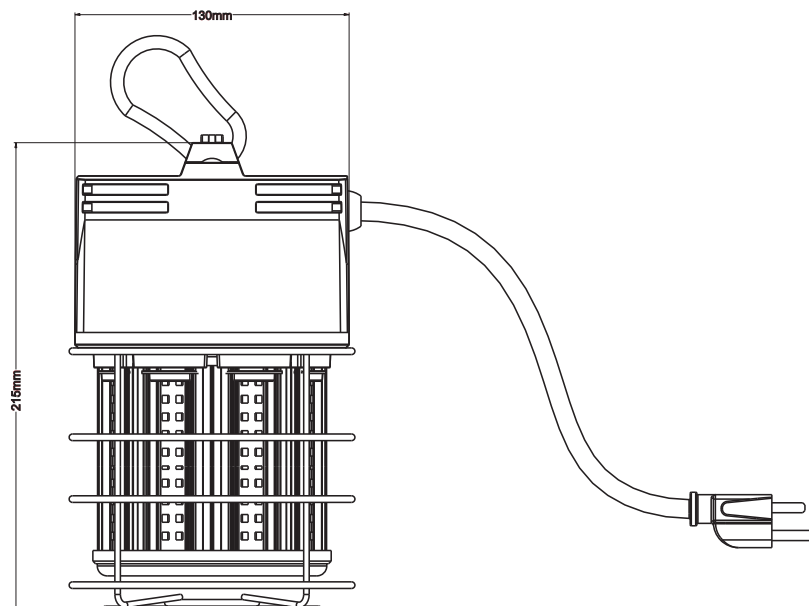
- 5ft power cord with plug
- Lumen output: 7200LM
- Built-in hidden socket
- Up to 10 LED Work Lights per 120V AC tap
- Stainless steel guard
- LED colour: 5000K
- Damp locations
- 5 year limited warranty
- Optional tripod, floor mount and magnet mount accessories

PRODUCT CODES

LWL-60W-50

SPECIFICATIONS

Electrical	AC120V, 60W, 50-60Hz
CRI	>80
LED Lifetime	50,000 hrs.
CCT	5000K
Lumen (lm)	7,200
Luminous Efficacy	120 LM/W
Appearance Size	5.12"W x 10.4"H (130mm x 265mm)
Approvals	cETLus



LED String Work Light

5 x 8 watts LED fixtures in a 50FT string to illuminate your construction site, shop, garage or warehouse with portable, efficient lighting.



FEATURES

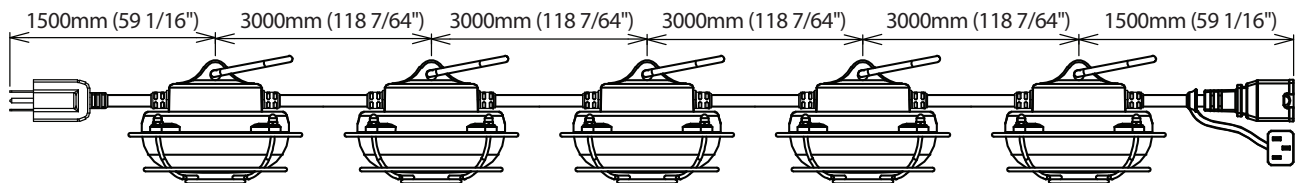
- Length: 50ft
- Lumen output: 5000LM
- Wet locations
- LED colour: 5000K
- 40 Watts per string
- Up to 10 LED String Work Lights per 120V AC tap
- Metal wire guard around each fixture
- Carabiner clip on each fixture
- 5 year limited warranty

PRODUCT CODES

SWL-40W-50

SPECIFICATIONS

Electrical	AC120V, 60W, 50-60Hz
CRI	>80
LED Lifetime	50,000 hrs.
CCT	5000K
Lumen (lm)	5,000
Luminous Efficacy	112.5 LM/W
Appearance Size	4.4"W x 3"H (112mm x 78mm)
Approvals	cETLus



LED Disc Light

A robust LED marker light ideal for public or residential applications, indoor or outdoor.



FEATURES

- Fully dimmable with dimmable power supply (sold separately)
- Long life - 50,000 hours
- Low power consumption of 3 watts per fixture
- Safe 12 volt, Class 2 power supply (not included)
- Up to 30 fixtures per power supply
- cETLus listed for in-wall, IC ceiling, in-floor, outdoor wet, and outdoor burial applications
- Fits in any 1.5" diameter hole, 4" long
- No UV, no infrared, no radiated heat
- 3 year limited warranty

APPLICATIONS

- Steps
- Aisles
- Paths
- Driveways
- Direction lighting
- Information lighting
- Decorative lighting
- Merchandising
- Landscape accents

PRODUCT CODES

ROUND

LEDD - Y - XX

LED Disc Light	TEMPERED GLASS	COLOUR OF LED
	F - Frosted	WH - 5500K
	C - Clear	WW - 2700K
		AM - Amber

SQUARE

LEDD - Y - XX - SQ

LED Disc Light	TEMPERED GLASS	COLOUR OF LED
	F - Frosted	WH - 5500K
	C - Clear	WW - 2700K
		AM - Amber

SPECIFICATIONS

Electrical	12V DC, 3.0W
Wiring Options	Fixtures can be parallel wired or "Daisy chained" together with up to 18 fixtures on our largest driver. See adjacent power supply chart for details. NOTE: Use LW-18G-CL2 for all in-wall applications. Use LW-18G-BUR for all burial applications.
LED Specs	5050
LED Life	50,000 hours
Lumen Output and Colour Options	WH 98 lumens @ 5500K WW 95 lumens @ 2700K
CRI	> 80
Cover Finish	Stainless Steel
Barrel Finish	Stainless Steel
Lens	Frosted or Clear Tempered Glass
Approvals	cETLus listed and labeled for wet, IC, ceiling, wall and direct burial applications.

REPLACEMENT LED MODULES

LEDD-MOD-WH

LED Disc Light module, 12V, white LED 5500K

LEDD-MOD-WW

LED Disc Light module, 12V, warm white LED 2700K

INSTALLATION WIRE

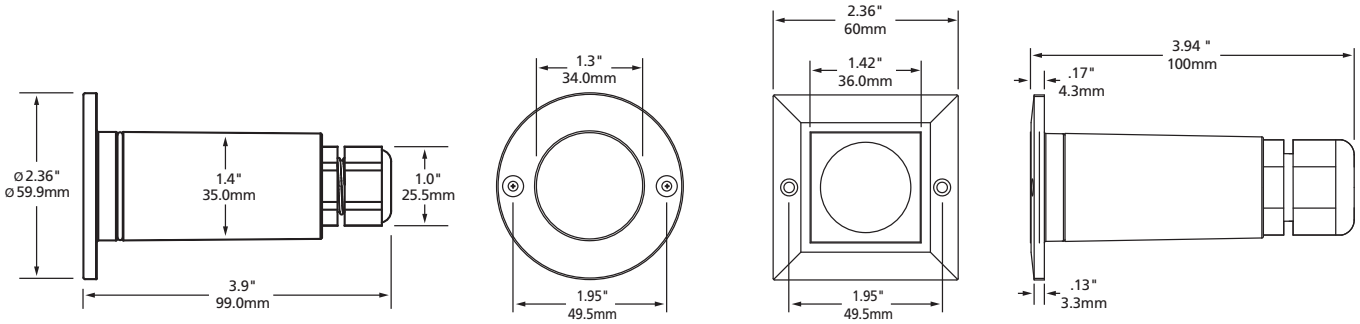
LW-18G-BUR

For outdoor burial connections

LW-18G-CL2

For indoor through wall connections

NOTE: One of the above wires MUST be used in order to maintain product warranty.



ACCESSORIES



LEDD-CF

LED Disc Light concrete form for concrete pour applications. Fits over most 3/4" conduit junction boxes.

LEDD-CF-SQ

LED Disc Light Square concrete form for concrete pour applications. Fits over most 3/4" conduit junction boxes.

INDOOR/OUTDOOR DIMMABLE DRIVERS

MLDRE-20-12-DM

20 Watts
 Max. recommended load 18 W or 6 LED Disc Lights
 Min. recommended load 8 W or 3 LED Disc Lights
 6.77" x 2.67" x 1.26" (171 x 68 x 32mm)

MLDRE-60-12-DM

60 Watts
 Max. recommended load 54 W or 18 LED Disc Lights
 Min. recommended load 8 W or 3 LED Disc Lights
 6.77" x 2.67" x 1.26" (171 x 68 x 32mm)

NON DIMMABLE DRIVERS

LEDDR-12-20W-HW

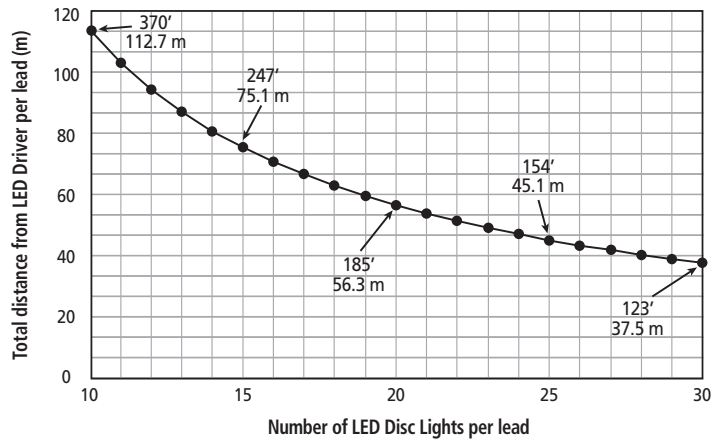
Indoor driver
 20W hardwire
 Input: 100 - 240V AC
 Output: 12V DC
 Max. 6 LED Disc Lights
 4 1/8" x 4 1/8" x 1 1/2" (104.8 x 104.8 x 38.1mm)

LEDDR-12-60W

Indoor/Outdoor driver
 60W hardwire
 Input: 100 - 240V AC
 Output: 12V DC
 Max. 18 LED Disc Lights
 9 11/16" x 2 9/16" x 2 1/16" (246 x 65 x 52mm)

100% LED Light Output Chart

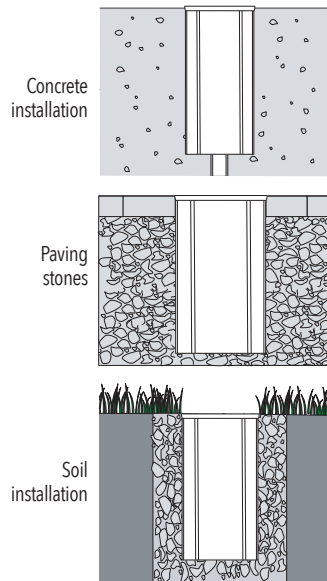
With every foot of lead wire and every light fixture, there is voltage loss. With too much voltage loss all light fixtures will not develop 100% of their potential output. Below is a chart of acceptable voltage loss which will maintain 100% of the potential light output of the LED Disc Light. Simply plot the number of LED Disc Light you wish to place on one lead on the horizontal axis, with the total distance from the LED Driver to the last LED Disc Light on the vertical axis. If the resulting plot is at or below the line shown, you will have acceptable voltage loss and your LED Disc Light will output 100% of their potential.



NOTE: No more than 18 LED Disc Lights per LEDDR-12-60W.

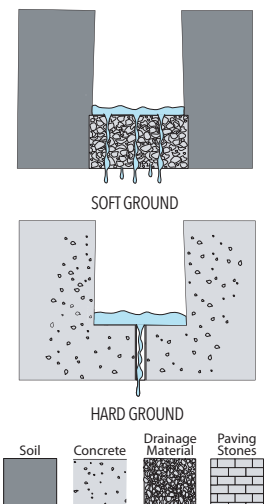
WARNING: LACK OF DRAINAGE WILL VOID THE WARRANTY

To maintain the warranty, a proper drainage system **MUST** be installed (drainage material or drainage pipe), when the product is installed in soil or concrete.



Test drainage prior to installation.

A quantity of water equal to the volume of the mounting hole should drain in 15 minutes or less.



LED Disc Light Dome

STAINLESS STEEL CONSTRUCTION

A robust LED marker light ideal for public or residential applications, indoor or outdoor.

FEATURES

- Dimmable with dimmable power supplies
- Long life - 50,000 hours
- Low power consumption 3 watts per fixture
- Safe 12 volt, Class 2 power supply (not included)
- Up to 30 fixtures per power supply
- cETLus listed for in-wall, in-floor, outdoor wet, and outdoor burial applications
- Fits in any 1.5" diameter hole, 4" long
- Stainless steel construction (SUS 316)
- Available concrete form for concrete pour applications
- 3 year limited warranty

APPLICATIONS

- Steps
- Aisles
- Paths
- Driveways
- Direction lighting
- Decorative lighting
- Landscape accents

PRODUCT CODES

LEDD - C - XX - D

LED Disc
Light Dome

COLOUR OF LED
WH - 5500K
WW - 2700K



SPECIFICATIONS

Voltage	12V DC
Power Consumption (W)	3 watts
LED Life	50,000 hours
LED Colours	WH 98 lumens @ 5500K WW 95 lumens @ 2700K
Wiring Options	Fixtures can be parallel wired or "Daisy chained" together with up to 18 fixtures on our largest dimmable driver. NOTE: Use LW-18G-CL2 for all in-wall applications. Use LW-18G-BUR for all burial applications.
LED Life	50,000 hours
CRI	80+
Cover Finish	Stainless Steel SUS316
Barrel Finish	Stainless Steel SUS316
LED Type	5050
Lens	Clear Tempered Glass
Approvals	cETLus listed for wet, IC, wall and direct burial applications

REPLACEMENT LED MODULES

LEDD-MOD-WH

LED Disc Light module, 12V, white LED 5500K

LEDD-MOD-WW

LED Disc Light module, 12V, warm white LED 2700K

INSTALLATION WIRE

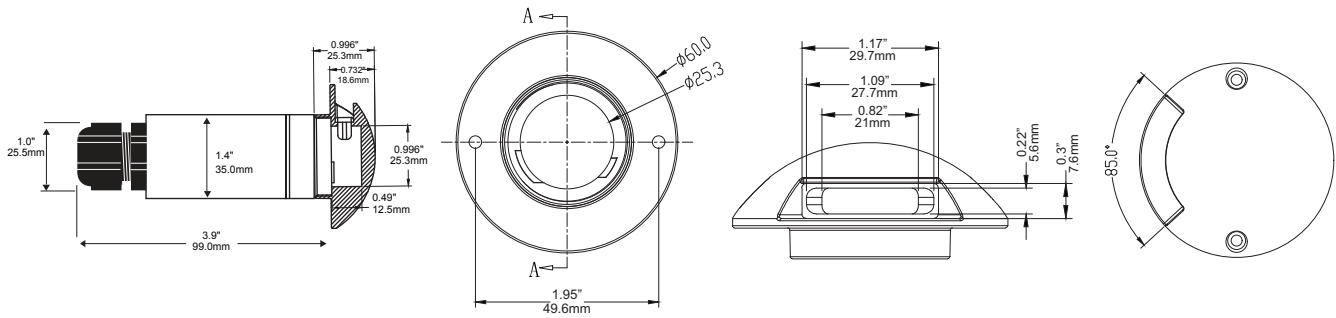
LW-18G-BUR

For outdoor burial connections

LW-18G-CL2

For indoor through wall connections

NOTE: One of the above wires MUST be used in order to maintain product warranty.



ACCESSORIES



LEDD-CF

Recommended for easy installation in concrete pour applications.

INDOOR/OUTDOOR DIMMABLE DRIVERS

MLDRE-20-12-DM

20 Watts

Max. recommended load 18 W or 6 LED Disc Lights

Min. recommended load 8 W or 3 LED Disc Lights

6.77" x 2.67" x 1.26" (171 x 68 x 32mm)

MLDRE-60-12-DM

60 Watts

Max. recommended load 54 W or 18 LED Disc Lights

Min. recommended load 8 W or 3 LED Disc Lights

6.77" x 2.67" x 1.26" (171 x 68 x 32mm)

NOTE: For outdoor installations, please add E-KO-SR strain relief.

NON DIMMABLE DRIVERS

LEDDR-12-20W-HW

Indoor driver

20W hardwire

Input: 100 - 240V AC

Output: 12V DC

Max. 6 LED Disc Lights

4 1/8" x 4 1/8" x 1 1/2" (104.8 x 104.8 x 38.1mm)

LEDDR-12-60W

Indoor/Outdoor driver

60W hardwire

Input: 100 - 240V AC

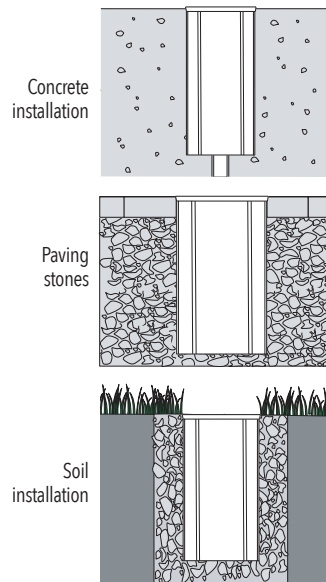
Output: 12V DC

Max. 18 LED Disc Lights

9 11/16" x 2 9/16" x 2 1/16" (246 x 65 x 52mm)

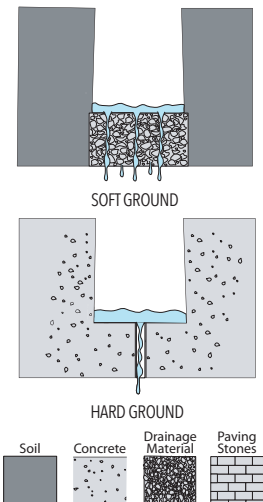
WARNING: LACK OF DRAINAGE WILL VOID THE WARRANTY

To maintain the warranty, a proper drainage system **MUST** be installed (drainage material or drainage pipe), when the product is installed in soil or concrete.



Test drainage prior to installation.

A quantity of water equal to the volume of the mounting hole should drain in 15 minutes or less.



LED MiniDisc Light

A robust LED marker light ideal for public or residential applications, indoor or outdoor.

FEATURES

- Now dimmable on the primary power supply side with our new dimmable LED Drivers!
- Long life - 50,000 hours
- Low power consumption of 0.24 watts per fixture
- Safe 12 volt, Class 2 power supply (not included)
- Up to 100 fixtures per power supply
- cETLus listed for in-wall, IC ceiling, in-floor, outdoor wet, and outdoor burial applications
- Fits in any 1" diameter hole, 3 1/2" long
- 2 year limited warranty, 3 years on stainless steel

APPLICATIONS

- Steps
- Aisles
- Paths
- Driveways
- Direction lighting
- Information lighting
- Decorative lighting
- Merchandising
- Landscape accents

NOTE: When installing Mini Disc Lights in harsh environments (such as limestone, salted areas, coastal environments, etc.) please use the stainless steel version to avoid the risk of corrosion to the body of the fixture.

PRODUCT CODES

ROUND

LEDMD - XX - YY

LED MiniDisc Light

COLOUR OF LED

WH - 5400K
WW - 2900K
AM - Amber
BL - Blue
GR - Green
RD - Red

FINISH

AL - Aluminum
WH - White
BZ - Bronze
BK - Black
SS - Stainless Steel

SQUARE

LEDMD - XX - YY - SQ

LED MiniDisc Light

COLOUR OF LED

WH - 5400K
WW - 2900K
AM - Amber
BL - Blue
GR - Green
RD - Red

FINISH

SS - Stainless Steel



SPECIFICATIONS

Electrical	12V DC, 20mA, 0.24W
Wiring Options	Each LED Driver can power up to 200 LED MiniDisc Lights by parallel wiring ("daisy chain") between fixtures. NOTE: Use LW-18G-CL2 for all in-wall applications. Use LW-18G-BUR for all burial applications.
LED Life	50,000 hours
LED Colours	WH 5400K, WW 2900K, Blue, Green, Amber, Red
Construction	Both cover and barrel are die cast aluminum or stainless steel for corrosion protection, strength, weight and consistency of finish
Cover Finish	Aluminum, White, Bronze, Black, Stainless Steel
Barrel Finish	Aluminum, White, Bronze, Black, Stainless Steel
Lens	Frosted Tempered Glass
Approvals	cETLus listed and labeled for wet, IC, ceiling, wall and direct burial applications.

REPLACEMENT LED MODULES

LCL-LEDMOD-WH

LED Mini Disc Light module, 12V, white LED 5400K

LCL-LEDMOD-WW

LED Mini Disc Light module, 12V, warm white LED 2900K

INSTALLATION WIRE

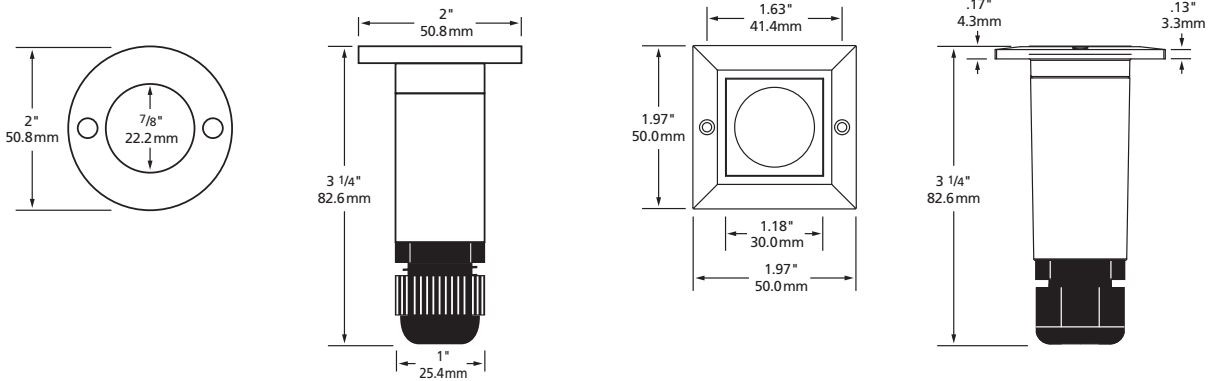
LW-18G-BUR

For outdoor burial connections

LW-18G-CL2

For indoor through wall connections

NOTE: One of the above wires MUST be used in order to maintain product warranty.



ACCESSORIES



LEDMD-CF

LED MiniDisc Light concrete form for concrete pour applications. Fits over most 1/2" (12.7mm) conduit junction boxes.

LEDMD-CF-SQ

LED MiniDisc Light Square concrete form for concrete pour applications. Fits over most 1/2" (12.7mm) conduit junction boxes.

INDOOR/OUTDOOR DIMMABLE DRIVERS

MLDRE-20-12-DM

20 Watts
 Max. recommended load 18 W or 75 LED MiniDisc Lights
 Min. recommended load 8 W or 34 LED MiniDisc Lights
 6.77" x 2.67" x 1.26" (171 x 68 x 32mm)

MLDRE-60-12-DM

60 Watts
 Max. recommended load 54 W or 200 LED MiniDisc Lights
 Min. recommended load 8 W or 34 LED MiniDisc Lights
 6.77" x 2.67" x 1.26" (171 x 68 x 32mm)

NOTE: For outdoor installations, please add E-KO-SR strain relief.

NON DIMMABLE DRIVERS

LEDDR-12-20W-HW

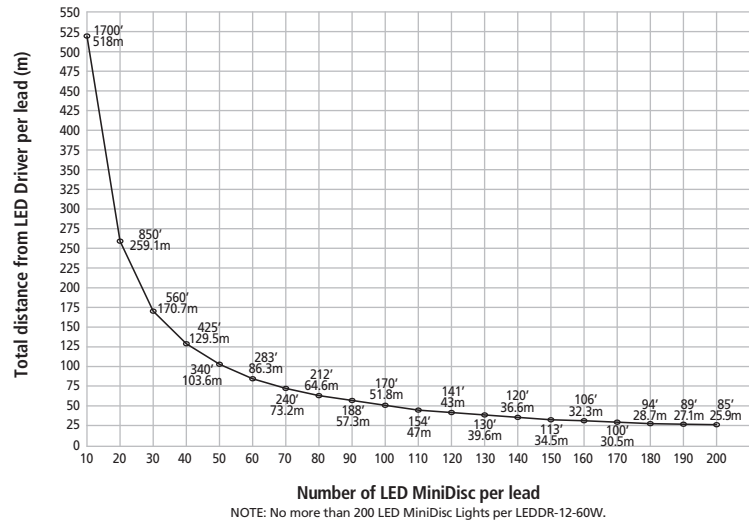
Indoor driver
 20W hardwire
 Input: 100 - 240V AC; Output: 12V DC
 Max. 75 MiniDisc Lights
 4 1/8" x 4 1/8" x 1 1/2" (104.8 x 104.8 x 38.1mm)

LEDDR-12-60W

Indoor/Outdoor driver
 60W hardwire
 Input: 100 - 240V AC
 Output: 12V DC; Max. 200 MiniDisc Lights
 9 11/16" x 2 9/16" x 2 1/16" (246 x 65 x 52mm)

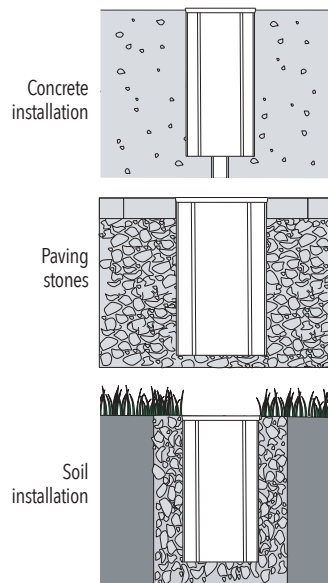
100% LED Light Output Chart

With every foot of lead wire and every light fixture, there is voltage loss. With too much voltage loss all light fixtures will not develop 100% of their potential output. Below is a chart of acceptable voltage loss which will maintain 100% of the potential light output of the LED MiniDisc Light. Simply plot the number of LED MiniDiscs you wish to place on one lead on the horizontal axis, with the total distance from the LED Driver to the last LED MiniDisc on the vertical axis. If the resulting plot is at or below the line shown, you will have acceptable voltage loss and your LED MiniDisc will output 100% of their potential.



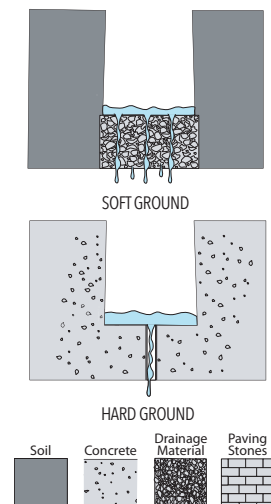
WARNING: LACK OF DRAINAGE WILL VOID THE WARRANTY

To maintain the warranty, a proper drainage system MUST be installed (drainage material or drainage pipe), when the product is installed in soil or concrete.



Test drainage prior to installation.

A quantity of water equal to the volume of the mounting hole should drain in 15 minutes or less.



LED MiniDisc Light (Scoop)

LED MiniDisc Scoop is designed to direct light where you want it. Ideal for stair lighting when placed on risers to avoid glare. Great for theatre aisle ways.

FEATURES

- Now dimmable on the primary power supply side with our new dimmable LED Drivers!
- Long life - 50,000 hours
- Low power consumption of 0.24 watts per fixture
- Safe 12 volt, Class 2 power supply (not included)
- Up to 100 fixtures per power supply
- cETLus listed for in-wall, IC ceiling, in-floor, outdoor wet, and outdoor burial applications
- Fits in any 1" diameter hole, 3 1/2" long
- 2 year limited warranty, 3 years on stainless steel

APPLICATIONS

- Steps
- Aisles
- Paths
- Driveways
- Direction lighting
- Information lighting
- Decorative lighting
- Merchandising
- Landscape accents

NOTE: It is not recommended to install Mini Disc Lights Scoop in harsh environments (such as limestone, salted areas, coastal environments, etc.) to avoid the risk of corrosion to the body of the fixture.

PRODUCT CODES

LEDMD - S - XX - YY

LED MiniDisc
Light - Scoop

COLOUR OF LED

WH - 5400K
WW - 2900K
AM - Amber
BL - Blue
GR - Green
RD - Red

FINISH

AL - Aluminum
WH - White
BZ - Bronze
BK - Black



SPECIFICATIONS

Electrical	12V DC, 20mA, 0.24W
Wiring Options	Each LED Driver can power up to 200 LED MiniDisc Lights by parallel wiring ("daisy chain") between fixtures. NOTE: Use LW-18G-CL2 for all in-wall applications. Use LW-18G-BUR for all burial applications.
LED Life	50,000 hours
LED Colours	WH 5400K, WW 2900K, Blue, Green, Amber, Red
Construction	Both cover and barrel are die cast aluminum or stainless steel for corrosion protection, strength, weight and consistency of finish.
Cover Finish	Aluminum, White, Bronze, Black
Barrel Finish	Aluminum, White, Bronze, Black
Lens	Frosted Tempered Glass
Approvals	cETLus listed and labeled for wet, IC, ceiling, wall and direct burial applications.

REPLACEMENT LED MODULES

LCL-LEDMOD-WH

LED Mini Disc Light module, 12V, white LED 5400K

LCL-LEDMOD-WW

LED Mini Disc Light module, 12V, warm white LED 2900K

INSTALLATION WIRE

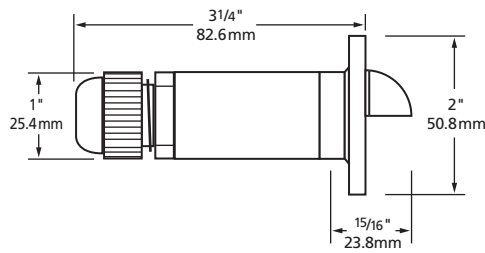
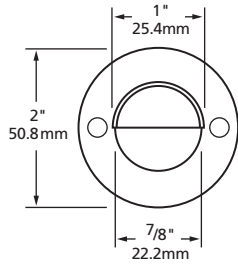
LW-18G-BUR

For outdoor burial connections

LW-18G-CL2

For indoor through wall connections

NOTE: One of the above wires MUST be used in order to maintain product warranty.



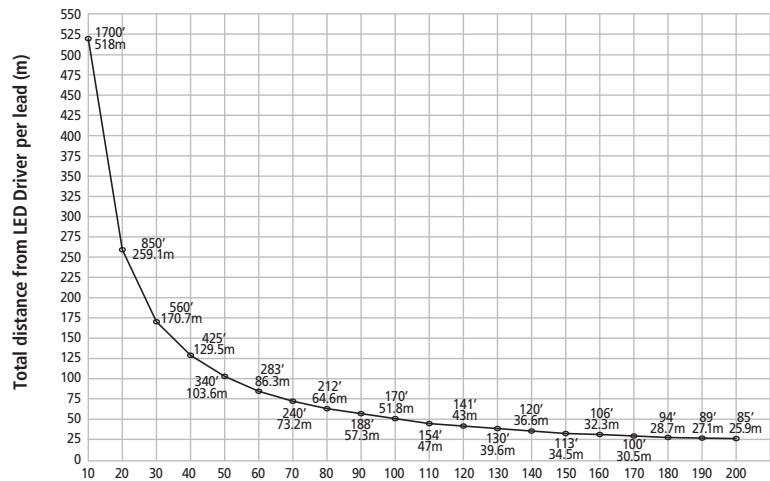
ACCESSORIES



LEDMD-CF
LED MiniDisc Light concrete form for concrete pour applications. Fits over most 1/2" (12.7mm) conduit junction boxes.

100% LED Light Output Chart

With every foot of lead wire and every light fixture, there is voltage loss. With too much voltage loss all light fixtures will not develop 100% of their potential output. Below is a chart of acceptable voltage loss which will maintain 100% of the potential light output of the LED MiniDisc Light. Simply plot the number of LED MiniDiscs you wish to place on one lead on the horizontal axis, with the total distance from the LED Driver to the last LED MiniDisc on the vertical axis. If the resulting plot is at or below the line shown, you will have acceptable voltage loss and your LED MiniDisc will output 100% of their potential.



NOTE: No more than 200 LED MiniDisc Lights per LEDDR-12-60W.

INDOOR/OUTDOOR DIMMABLE DRIVERS

MLDRE-20-12-DM

20 Watts
Max. recommended load 18 W or 75 LED MiniDisc Lights
Min. recommended load 8 W or 34 LED MiniDisc Lights
6.77" x 2.67" x 1.26" (171 x 68 x 32mm)

MLDRE-60-12-DM

60 Watts
Max. recommended load 54 W or 200 LED MiniDisc Lights
Min. recommended load 8 W or 34 LED MiniDisc Lights
6.77" x 2.67" x 1.26" (171 x 68 x 32mm)

NOTE: For outdoor installations, please add E-KO-SR strain relief.

NON DIMMABLE DRIVERS

LEDDR-12-20W-HW

Indoor driver
20W hardwire
Input: 100 - 240V AC
Output: 12V DC
Max. 75 MiniDisc Lights
4 1/8" x 4 1/8" x 1 1/2" (104.8 x 104.8 x 38.1mm)

LEDDR-12-60W

Indoor/Outdoor driver
60W hardwire
Input: 100 - 240V AC
Output: 12V DC
Max. 200 MiniDisc Lights
9 11/16" x 2 9/16" x 2 1/16" (246 x 65 x 52mm)

LED Switch Star

Suitable for indoor or outdoor use, LED Switch Star is the perfect fixture for security or egress lighting. There are no remote drivers to deal with – LED Switch Star connects directly to 120V and is extremely easy to install. Decorative covers available include louvre, scoop or prism in both horizontal as well as vertical mount options.



FEATURES

- Low power consumption (1.4 watts)
- Easy installation – mounts to standard 2" x 4" electrical box
- Indoor or outdoor applications
- 3 colours to choose from
- Dimmable
- 40,000 hour life
- cETLus listed
- 3 year warranty

APPLICATIONS

- Hallways
- Stairways
- Night Light
- Decks and Patios
- Parking garages
- Elevators
- Exterior commercial or residential

SPECIFICATIONS

Electrical	120V AC, 1.4W, .012A
LED Type	AC LED
LED Life	40,000 hours to 70% Lumen output
Lumen Output	80
Lumen Efficacy (LPW)	57
Colour Temperature	2700K or Amber
CRI	≥ 80
Beam Pattern	120°
Operating Temperature	-30°C – +60°C
Construction	Polycarbonate (5VA flame rated, F1 UV rated) & Glass
Approvals	cETLus listed

PRODUCT CODES

LED - SW - X - Y

LED Switch Star	COVER	COLOUR
	S - Scoop	WH - White
	P - Prism	LA - Light Almond
	L - Louvre	BWG - Brown Wood Grain

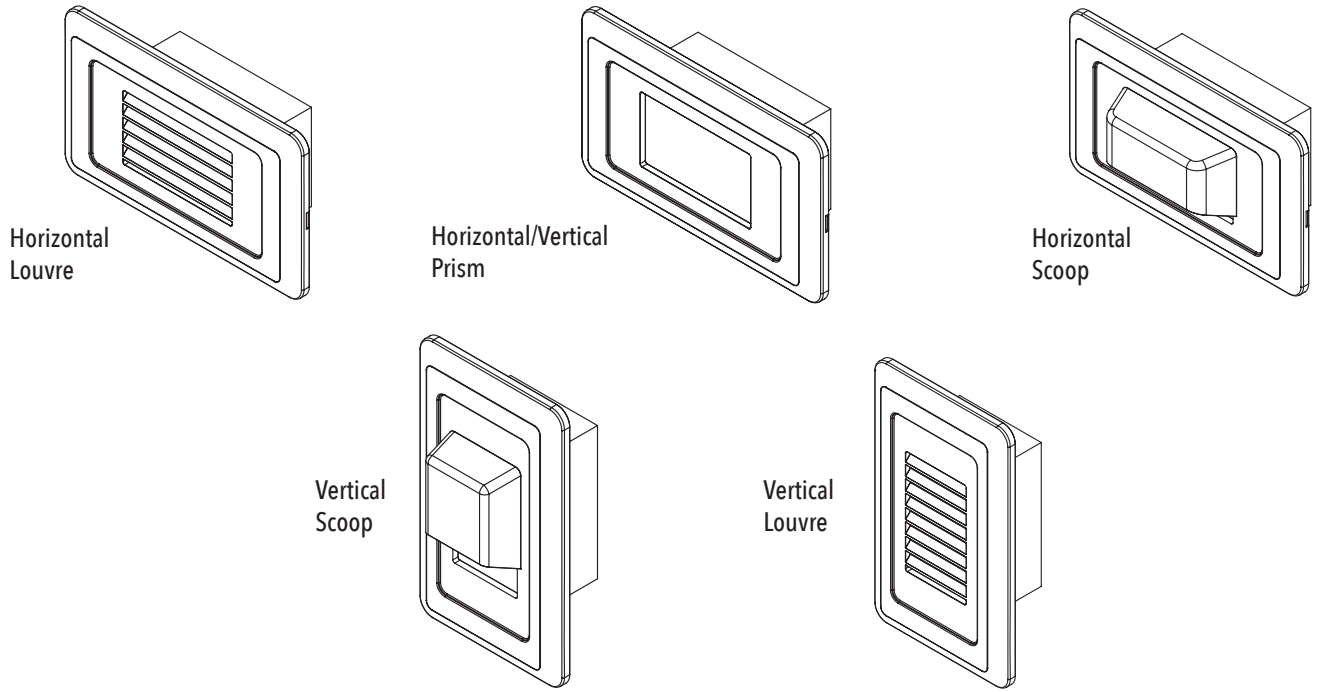
REPLACEMENT COVER *(Sold Separately)*

LED - SW - X - Y - COV

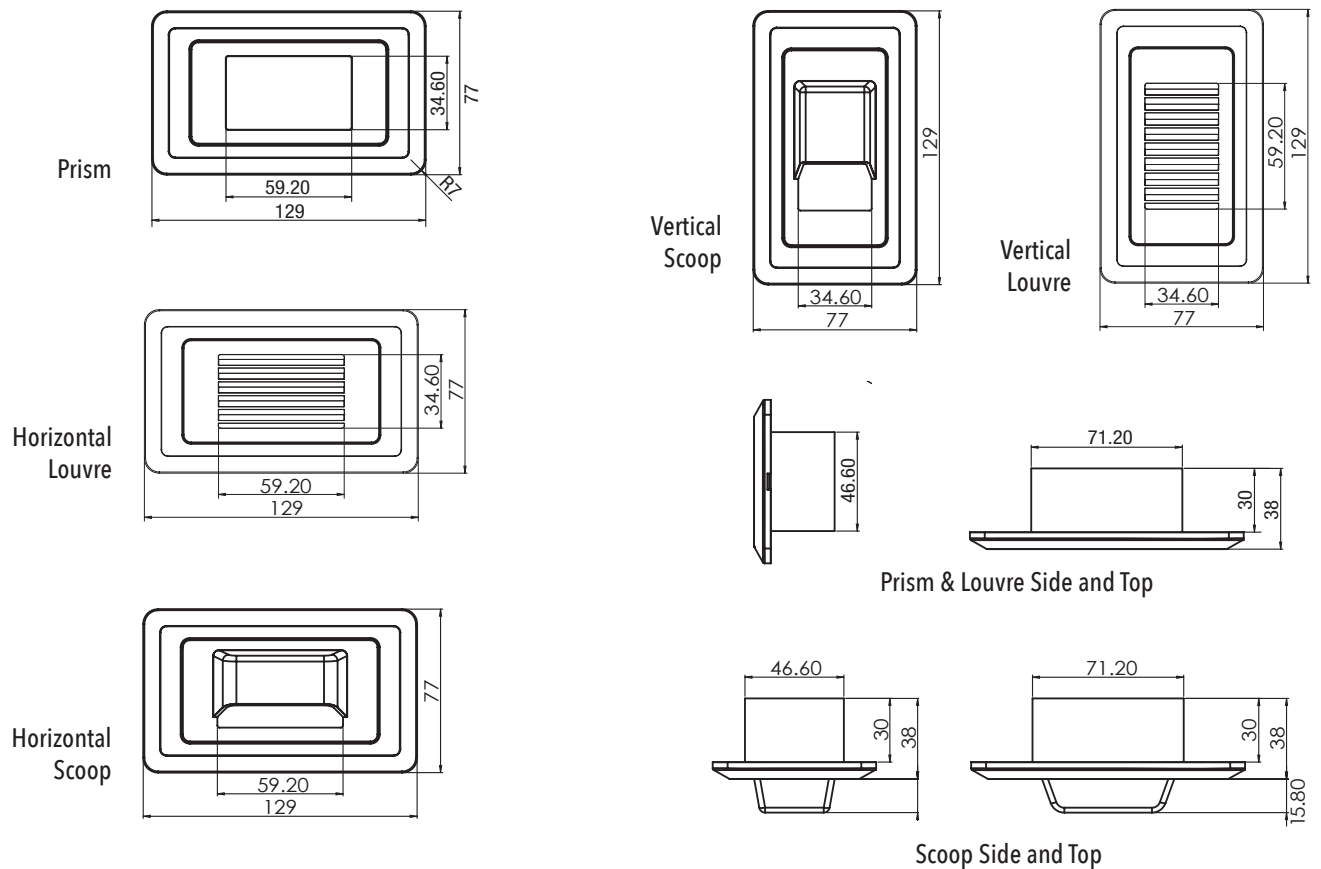
LED Switch Star	COVER	COLOUR	REPLACEMENT COVER
	S - Scoop	WH - White	
	P - Prism	LA - Light Almond	
	L - Louvre	BWG - Brown Wood Grain	

Note: Add (-AM) on the part number for Amber LED fixture
Scoop and Louvre covers are supplied in both horizontal and vertical.

Cover Styles



Cover Dimensions



LED Step Star

GEN II

LED Step Star provides a safe, attractive and affordable way to light stairs, hallways and aiseways. LED Step Star is a highly effective and energy efficient recessed fixture suitable for indoor and outdoor use. LED Step Stars are made of cast aluminum for strength and corrosion protection and are suitable for concrete pour installations.



Anywhere that requires security or safety lighting in an aesthetically pleasing manner!

FEATURES

- 40,000-hour LED life
- Ultra low 5.2 watt energy usage per fixture
- CRI 80+
- Lumen output: 468LM
- 120VAC power input
- Up to 150 LED Step Star lights per 120VAC tap
- Die cast aluminum can and cover
- cETLus listed for indoor and outdoor applications including wet, IC, concrete pour, ceiling and shower locations
- Dimmable with most forward phase TRIAC dimming systems
- 3 year limited warranty

APPLICATIONS

- Interior stairs
- Exterior stairs
- Aisles
- Hallways
- Paths
- Emergency lighting
- Theaters
- Public areas
- Patios
- Decks

SPECIFICATIONS

Electrical	120V AC, 5.2W
Wiring Options	120V AC hardwire - can be daisy chained up to 150 fixtures per 15A circuit
LED Life	40,000 hours
Lumen Output	468LM
Colour Temperature	3000K +/-200
CRI	≥ 80
LED Colours	White
Cover Finish	White, Black, Bronze, and Aluminum
Can Finish	Powder Coated White
Lens	Frosted Tempered Glass
Approvals	cETLus listed for wall, ceiling, wet and IC locations

PRODUCT CODES

LEDSST - II - WH - X - YY

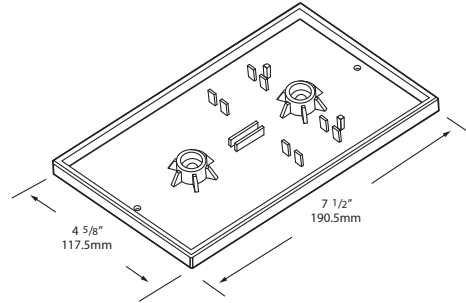
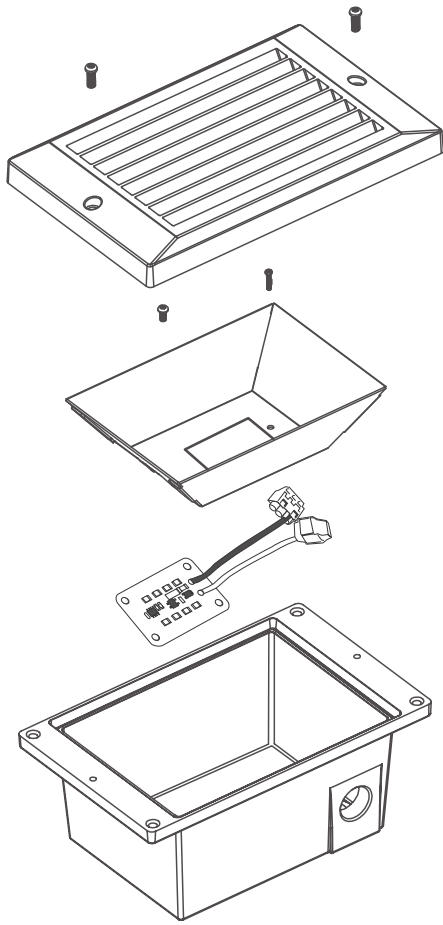
LED Step Star Gen II	COLOUR OF LED 3000K	COVER P - Prism S - Scoop L - Louvre	COVER FINISH WH - White BK - Black BZ - Bronze AL - Aluminum
-------------------------	------------------------	--	--

REPLACEMENT KIT
LST-II-KIT

CONCRETE CAP
SL-CC

Concrete cap for concrete pour installations

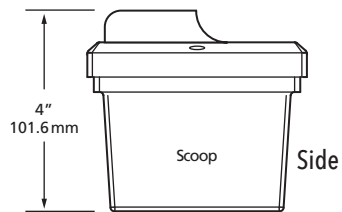
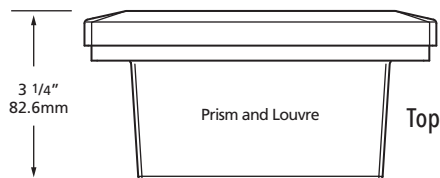
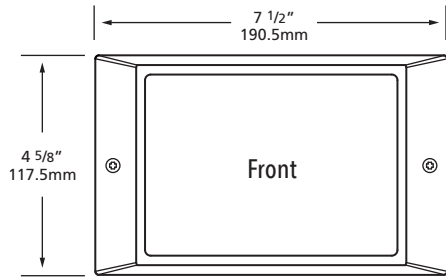
NOTE: For outdoor installations, a 1/2" liquid tight strain relief is recommended



Concrete Cap
for concrete pour installations

Product Code: **SL-CC**

IMPORTANT: It is recommended that you use Magic Lite's Concrete Cap for concrete pour installations. These caps assist in providing a proper reveal for flush mount of fixture cover after concrete is dry.



LED Brick Star

GEN II

LED Brick Star provides a safe, attractive and affordable way to light stairs, aisles, paths and entrance ways. LED Brick Star delivers excellent performance at an affordable price. The LED Brick Star has been uniquely designed to the specific size of a standard brick. This provides the perfect solution for those applications where a more linear fixture is required.



Anywhere that requires security or safety lighting in an aesthetically pleasing manner!

FEATURES

- 40,000-hour LED life
- Ultra low 5.2 watt energy usage per fixture
- CRI 80+
- Lumen output: 468LM
- 120VAC power input
- Up to 150 LED Brick Star lights per 120VAC tap
- Die cast aluminum can and cover
- Available in fluorocarbon can with stainless steel louvre cover
- Fits into any standard brick, or in any void sized 7 3/4" x 2 1/2" x 3 1/4" (196.6mm x 63.5mm x 82.6mm)
- cETLus listed for indoor and outdoor applications including wet, IC, concrete pour, ceiling and shower locations
- Dimmable with most forward phase TRIAC dimming systems
- 3 year limited warranty

APPLICATIONS

- Brick walls
- Exterior steps
- Interior steps
- Aisles
- Halls
- Paths
- Patio lighting
- Entry lighting
- Ceilings
- Showers

NOTE: When installing LED Brick Star in harsh environments (such as limestone, salted areas, coastal environments, etc.) please use the stainless steel version to avoid the risk of corrosion to the body of the fixture.

SPECIFICATIONS

Electrical	120V AC, 5.2W
Wiring Options	120V AC hardwire - can be daisy chained up to 150 fixtures per 15A circuit
LED Life	40,000 hours
Lumen Output	468LM
Colour Temperature	3000K +/-200
CRI	80+
LED Colours	White
Can Finish	Powder Coated White or Fluorocarbon Lacquer (Stainless Steel)
Cover Finish	White, Black, Bronze, Aluminum or Stainless Steel finish only available in Louvre cover
Lens	Frosted Tempered Glass
Approvals	cETLus listed for wall, ceiling, wet and IC locations

PRODUCT CODES

LEDBS - II - WH - X - YY

LED Brick Star Gen II	COLOUR OF LED 3000K	COVER P - Prism S - Scoop L - Louvre	COVER FINISH WH - White BK - Black BZ - Bronze AL - Aluminum SS - Stainless Steel
------------------------------	-------------------------------	---	--

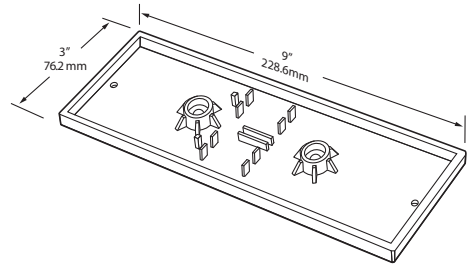
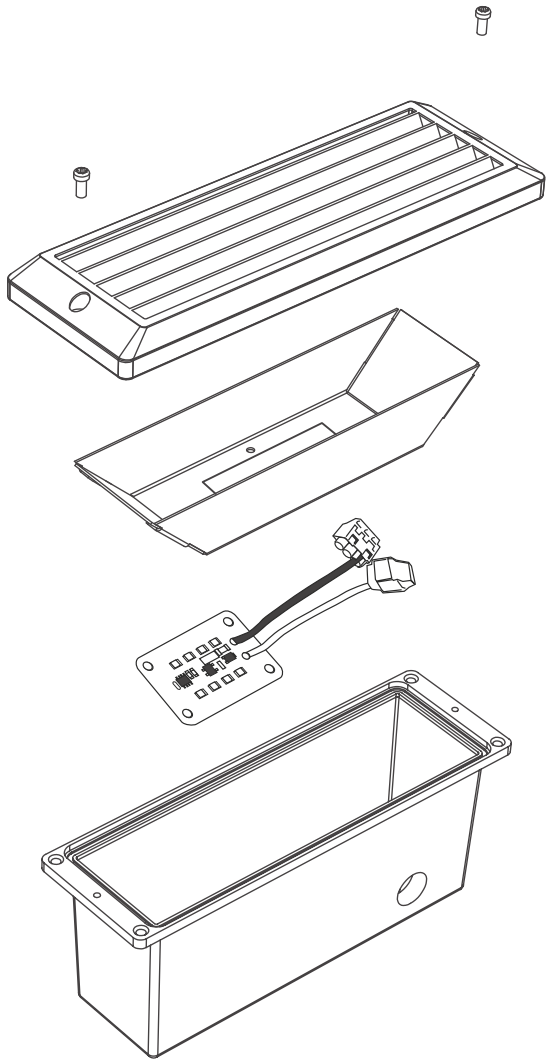
NOTE: Stainless Steel finish available in Louvre cover only.

REPLACEMENT KIT
LBR-II-KIT

CONCRETE CAP
BL-CC

Concrete cap for concrete pour installations

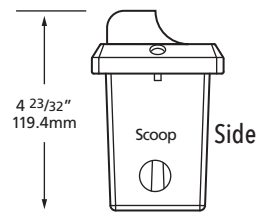
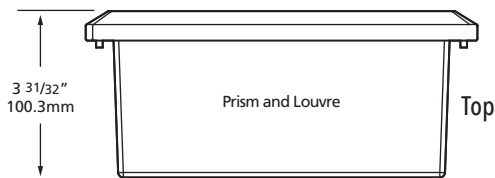
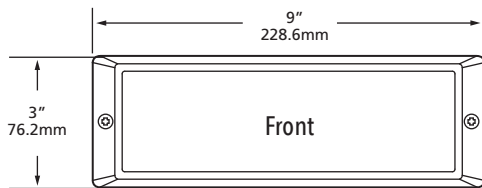
NOTE: For outdoor installations, a 1/2" liquid tight strain relief is recommended



Concrete Cap
for concrete pour installations

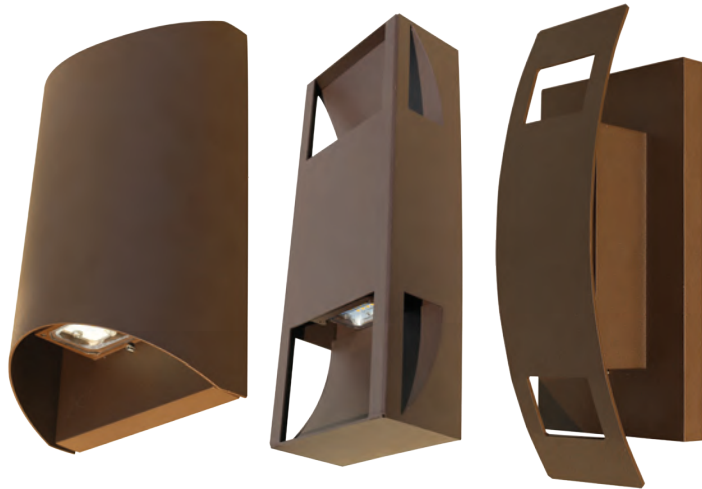
Product Code: **BL-CC**

IMPORTANT: It is recommended that you use Magic Lite's Concrete Cap for concrete pour installations. These caps assist in providing a proper reveal for flush mount of fixture cover after concrete is dry.



LED Outdoor Sconce

A contemporary style wall sconce suitable for interior and exterior use. Available in three finishes and three interchangeable covers to suit a variety of applications, while keeping balance between budget and aesthetics.



FEATURES

- Housing - Rugged aluminum construction
- 120V - 277V AC input voltage
- Lumen output 1300LM
- CRI 80+
- LED life: 50,000 hours
- Powder coated finish
- 120° beam angle
- Internal driver
- ADA compliant
- Available in three finishes: Brown, Black and Silver
- Three interchangeable covers: Wave, Wing and Scoop
- cULus listed for wet locations
- 5 year limited warranty

APPLICATIONS

- Exterior residential
- Exterior commercial
- Entrance ways
- Hallway lighting
- Outside elevators
- Patio Lights
- Deck Lights
- Hotel hallways
- Restaurants
- Stairways
- Lobbies

SPECIFICATIONS

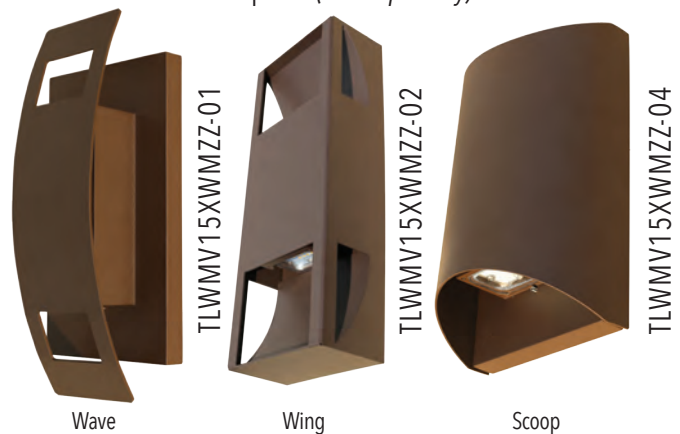
Input Voltage	120V - 277V AC
LED Colour	3000K, 4000K
Power Consumption (W)	15
LED Type	LUMILED 3030
Lumen Output	1300LM
Ambient Temperature	-20C - 40C
CRI	80+
Life Span (hours)	50,000
Appearance Size	4 3/8" W x 8" D (111mm W x 203mm D)
Approvals	cULus listed for wet locations

PRODUCT CODES

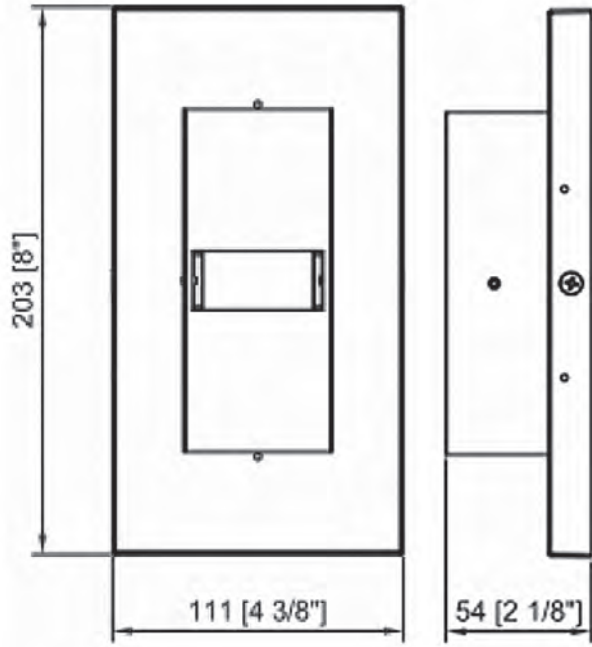
TLWMV15XWMZZ

LED	COLOUR OF LED	FINISH
Outdoor	3 - 3000K	BR - Brown
Sconce	4 - 4000K	BK - Black
		SV - Silver

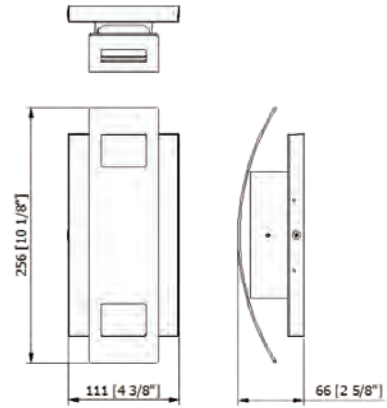
3 cover options (sold separately)



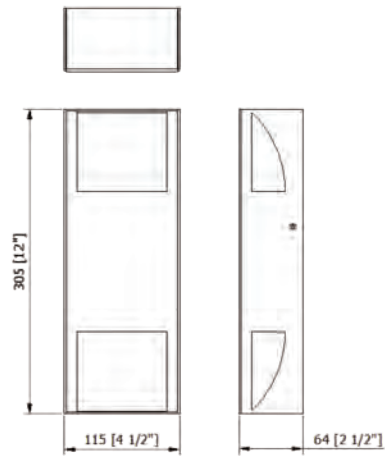
LED Outdoor Sconce



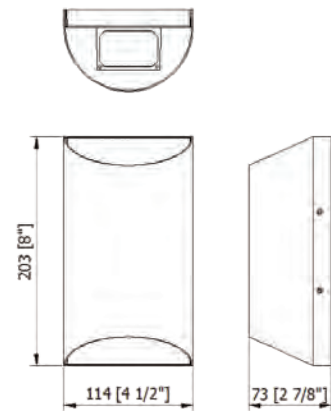
Covers (sold separately)



WAVE TLWMV15XWMZZ-01



WING TLWMV15XWMZZ-02



SCOOP TLWMV15XWMZZ-04

CCT Adjust Mini Flood Light

CCT Adjust Mini Flood Lights provide exceptional illumination for architectural, signage and landscape applications. CCT adjustable with a push of a button 3000K/4000K/5000K.



FEATURES

- Compact size
- CCT adjustable 3000K/4000K/5000K
- High lumen output
- Easy to install and operate
- Very wide flood 150° x 120° (7H6V)
- Long life 50,000 hours
- Instant start, no flickering
- Available in 15W, 30W or 50W
- cULus listed for wet locations
- 5 year limited warranty

APPLICATIONS

- Architectural lighting
- Signage
- Landscape lighting
- Exterior commercial

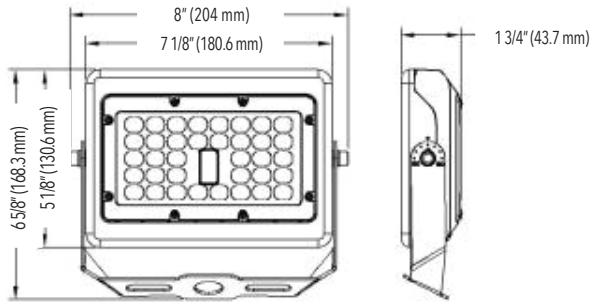
PRODUCT CODES

FL - 15 - CT
FL - 30 - CT
FL - 50 - CT

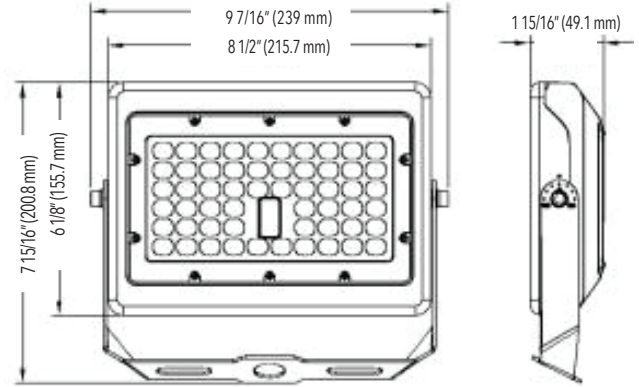
SPECIFICATIONS

Input Voltage	100 -277VAC
Adjustable Colour Temperature	Warm White (3000K) Neutral White (4000K) Cool White (5000K)
Power Consumption (W)	15W / 30W / 50W
Lumen Output	15W: 3000K=1725-1950LM / 4000K=2025-2250LM / 5000K=1875-2100LM 30W: 3000K=3450-3900LM / 4000K=4050-4500LM / 5000K=3750-4200LM 50W: 3000K=5750-6500LM / 4000K=6750-7500LM / 5000K=6250-7000LM
LED Type	SMD3030 (1W)
Beam Angle	150° x 120° (7H6V)
Operating Temperature	-20°C to 50°C
Colour Rendering Index	>80
Approvals	cULus listed for wet locations

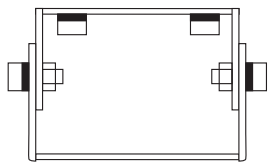
15W and 30W



50W



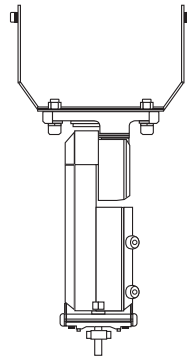
MOUNTING ACCESSORIES



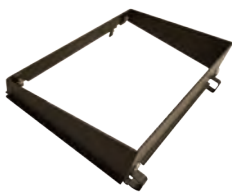
FL-TR
Trunnion mount bracket
To use for wall and ground mount



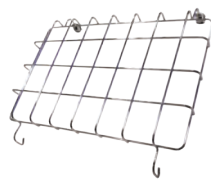
FL-Y-15/30, FL-Y-50
Yoke mount bracket
To use for wall and ground mount



FL-ADM-15/30, FL-ADM-50
Universal mount bracket
For use on poles



FL-SH-15/30
FL-SH-50
Glare shield



FL-WG-15/30
FL-WG-50
Wire guard

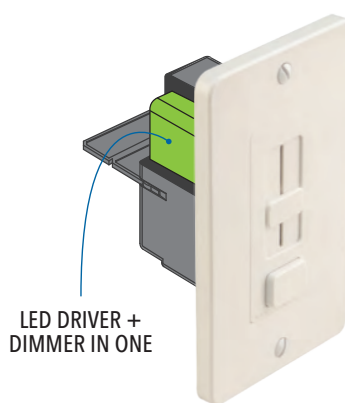
Switchex®

LED DRIVER + DIMMER IN ONE

SWITCHEX® is a dimmer with an integrated driver that converts 120VAC to either 12VDC or 24VDC. This means SWITCHEX® is all you need between your line voltage and low voltage LED lighting. Best of all, it fits in a standard electrical box.

SWITCHEX® solves two of the most common LED lighting challenges:

- Poor dimming performance that often results when a dimmer and LED driver are made by different manufacturers
- Finding a place to fit the LED driver



3 switch plate faces included - Glossy Dark Brown, Glossy Light Almond, Glossy White. Glossy Black option sold separately. Electrical box not included.



FEATURES

- Eliminates driver/switch compatibility issues
- Easy in-line installation
- Integrated LED driver
- Excellent dimming performance
- Fits in a standard electrical box
- Preset dimmer with on/off switch
- 100W, 24V DC capacity
- 60W, 12V DC capacity (separate model)
- 2 year limited warranty

SPECIFICATIONS

Electrical	SX-12V-DD-60W = 120V AC input, 12V DC output SX-24V-DD-100W = 120V AC input, 24V DC output
Environment	Indoor
Connection Type	Hardwire
Mounting	Single-Gang Box
Approvals	UL Listed 2108

PRODUCT CODES

SX - XXV - DD - YYW

Switchex	OUTPUT VOLTAGE	WATTAGE
	12 - 12VDC	60 - 60W
	24 - 24VDC	100 - 100W

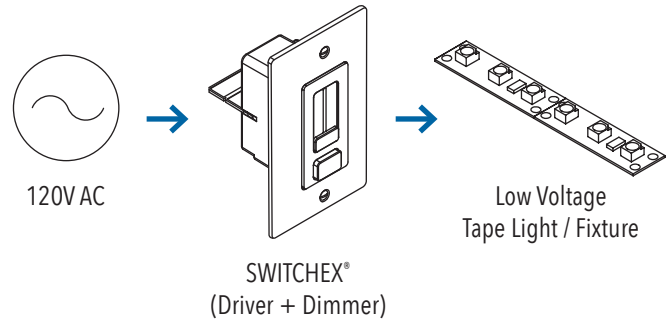
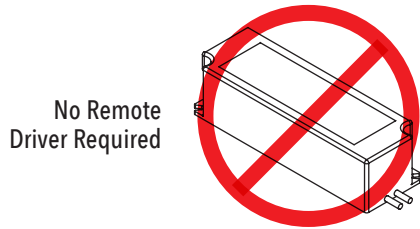
TRIM PLATE (Sold Separately)

SX - TP - XX

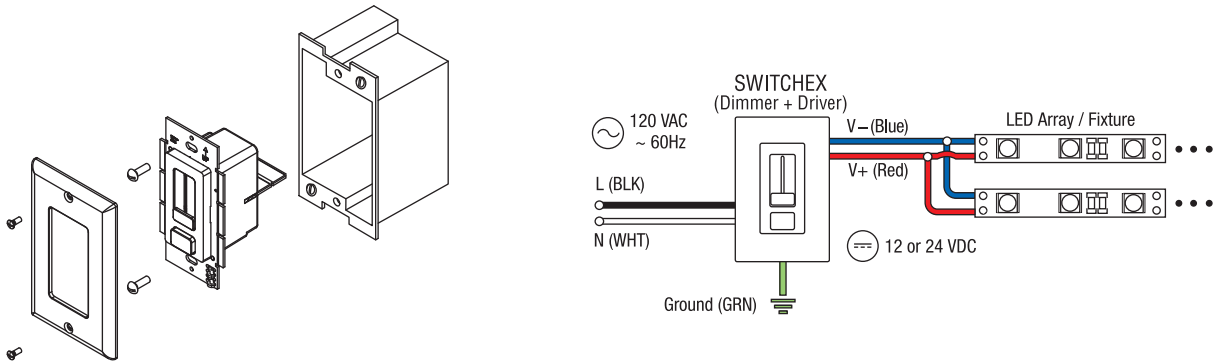
Switchex Trim Plate	FINISH
	BR - Glossy Dark Brown
	LA - Glossy Light Almond
	WH - Glossy White
	BL - Glossy Black

The Driver Is Inside


SWITCHEX® is all you need between your line voltage and low voltage LED lighting. The integrated driver converts 120VAC to either 12VDC or 24VDC and it fits in a standard electrical box.



SWITCHEX® Driver and Dimmer Switch Diagram



LED Drivers Selector Chart

NON DIMMABLE DRIVERS		Indoor, Non-Dimmable	LED Neon Flex	LED Mini Star II	LED Strip Series†	LED Globe Light
 <p>MLDR-20-24JB LEDDR-12-20W-HW LEDSH-24-20W-HW</p>  <p>LEDDR-12-60W</p>  <p>MLDR-120-24</p>  <p>MLDR-18-24P MLDR-60-24P</p>  <p>LEDS-24-65</p>	LEDDR-12-20W-HW 12V, 20W, hardwire in junction box, Max. 20W	-	-	-	-	-
	MLDR-18-24P 24V, 18W, plug in	-	Max. 4 LEDMS II	-	-	-
	LEDSH-24-20W-HW 24V, 20W, hardwire in junction box, Max. 20W	-	-	-	-	-
	MLDR-20-24JB 24V, 20W, hardwire in junction box, Max. 20W	Max 7.3' (2.2m) LED Neon Flex	Max. 4 LEDMS II	Max. recommended load 18W or 4' (1.22m) LED Strip Series 6' (1.83m) CCT Series	Max. 60 Globes	
	MLDR-60-24P 24V, 60W plug in	-	Max. 16 LEDMS II	-	-	
	LEDS-24-65 24V, 60W, plug in	-	-	-	-	
	Indoor/Outdoor Non-Dimmable					
	LEDDR-12-60W 12V, 60W, hardwire, outdoor, Max. 60W	-	-	-	-	
	MLDR-120-24 24V, 120W, hardwire, outdoor, Max. 120W	Max 40' (12.1m) per single tap, Max 48'(14.6m) combined 2 secondary taps	Max. 32 LEDMS II 16 per single secondary tap	LED Strip Series: Max. recommended load 90W or 20' (6.1m) per single tap, 120W or 27' (8.23m) combined two secondary taps. CCT series: 16' (4.88m) per single tap, 20'(6.1m) combined two secondary taps.	Max. 180 Globes per single tap, max. 120 combined two secondary taps.	
	Indoor/Outdoor Dimmable					
MLDRE-20-12-DM†† 12V, 20W, hardwire, outdoor, dimmable, Max. 18W, Min. 10W	-	-	-	-		
MLDRE-60-12-DM†† 12V, 60W, hardwire, outdoor, dimmable, Max. 54W, Min. 30W	-	-	-	-		
DIMMABLE DRIVERS MLDRE-20-12-DM MLDRE-60-12-DM  <p>MLDRE-40-24-DM MLDRE-96-24-DM</p>	MLDRE-40-24-DM†† 24V, 40W, hardwire, outdoor, dimmable, Max. 36W, Min. 20W	Max 14.5' (4.4m) Min 8 watts, 3.3' (1m) LED Neon Flex	Max. 10, Min. load 10W or 3 LED Mini Star II	LED Strip Series: Max. recommended load 36W or 8' (2.44m), Min. 8W or 2' (.61m).	Max. 80 Globes	
	MLDRE-96-24-DM†† 24V, 100W, hardwire, outdoor, dimmable, Max. 90W, Min. 50W	Max 40'(12.1m) Min 8 watts, 3.3' (1m) LED Neon Flex	Max. 25, Min. load 10W or 3 LED Mini Star II	LED Strip Series: Max. recommended load 90W or 20' (6.1m), Min. 8W or 2' (.61m).	Max. 180 Globes	

† Note: Above maximum and minimum lengths are for LP-5060-60 series. You may double these when using LP-5060-30 series).

†† MLDRE drivers require E-KO-SR for outdoor applications

LED Wedge Light	LED Hard Strip	LED Thin Star	LED Britestrip	LED eSTRIP	LED Disc Light	LED MiniDisc Light
Max. 80 Globes	-	-	-	-	Max. 6 LEDD	Max. 75 LEDMD
-	-	-	-	-	-	-
-	-	Max. 30 Thin Star LEDs	-	-	-	-
-	Max. recommended load 18W LED Hard Strip	-	Max. 38 LED lamps	Max. 18' (5.4m) LED eSTRIP Max. 8' (2.4m) HP LED eSTRIP	-	-
-	-	-	-	-	-	-
-	-	Max. total 60 Thin Star LEDs*	-	-	-	-
Max. 200 Globes	-	-	-	-	Max. 18 LEDD	Max. 200 LEDMD
-	-	-	Festoon .52W LED modules: Max. 110 per single secondary tap, max. 185 total	Max. 90' (27.43m) per single secondary tap, max. 120' (36.58m) combined two secondary taps. RGB eStrip & HP eStrip: 40' (12.1m) per single secondary tap, 50' (15.24m) combined secondary taps	-	-
Max. 80 Globes	-	-	-	-	Max. recommended load 18W or 6 LEDD Min. recommended load 8W or 3 LED Disc Lights	Max. 75 LEDMD Min. recommended load 8W or 34 LED MiniDisc Lights
Max. 200 Globes	-	-	-	-	Max. recommended load 54W or 18 LEDD Min. recommended load 8W or 3 LED Disc Lights	Max. 200 LEDMD Min. recommended load 8W or 34 LED MiniDisc Lights
-	Max. recommended load 36W, min. 8W LED Hard Strip	Max. total 60 Thin Star LEDs* Min. recommended load 8W or 18 Thin Star LEDs	Max. 76 LED lamps Min. 16 LED lamps	LED eStrip: Max. 37.5' (11.43m), Min. 8W, 9' LED eStrip (2.44m). High Power: Max. 18' (5.49m), Min. 4' (1.2m)	-	-
-	Max. recommended load 90W, min. 8W LED Hard Strip	-	Max. 180 LED lamps Min. 16 LED lamps	LED eSTRIP: Max. 90' (27.4m), Min. 8W, 9' LED eStrip (2.44m). High Power: Max. 40' (12.19m), Min. 4' (1.2m)	-	-

* Please refer to catalogue for # of LEDs per fixture.

LED Controllers List

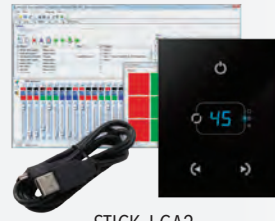
DMX DECODER	Description
LV-DMX-IP-RGB-3CH	3CH DMX Decoder 12/24V DC output, <4A MAX, 12<144W, 24v<288W
LV-DMX-IP-RGB-4CH	4CH DMX Decoder 12/24V DC output, <4A MAX, 12<192W, 24v<384W
DMX CABLE	Description
LVL-DMX-3PIN-1FT	1ft Long power cable with XLR waterproof connector
LVL-DMX-3PIN-5FT	5ft Long power cable with XLR waterproof connector
LVL-DMX-3PIN-10FT	10ft Long power cable with XLR waterproof connector
LVL-DMX-3PIN-25ft	25ft Long power cable with XLR waterproof connector
LVL-DMX-3PIN-50FT	50ft Long power cable with XLR waterproof connector
LVL-DMX-3PIN-60FT	60ft Long power cable with XLR waterproof connector
LVL-DMX-3PIN-100FT	100ft Long power cable with XLR waterproof connector
DMX CONTROLLERS	Description
SLESA-U9	Entry level, USB 256 channels
STICK-GA2	Mid range, touch control pad 512 channels
STICK-GU2	DMX, touch control pad, 128 channels
STICK-DE3	Professional, touch control Pad 1024 channels
DMX ACCESSORIES	Description
LV-DMX-XLR3-ST	XLR3 Signal terminator
LV-DMX-3PIN	Power cable XLR waterproof connector
SENSOR	Description
LV-SPIR-1CH-LV	PIR Motion sensor, 1 channel, 12/24V DC
CONTROLLERS & AMPLIFIERS	Description
LT-09S-RF	6 Key RGB "touch" controller 12/24V DC, 432W
LT-390A	Signal amplifier for RGB 12/24V DC, 3 channel, indoor, 288W
LT-031-RF	6 Key CCT Adjustable "touch" controller 12/24V DC, 288W
LT-290A	Signal amplifier for CCT colour adjust Strip Series 12/24V DC, 288W
LT-032-RF	6 Key Dimming "touch" controller 12/24V DC, 432W
LT-190A	Dimming signal amplifier
LV-ZJFFS-3CH-6INW	WD Signal amplifier for RGB 12/24V DC, 3 channel, outdoor, 288W
LV-RF103	Wireless RF mini RGB controller 24V, 96W
LV-RF103-EXHS	6" Strip Series extension connector for LV-RF103 controller
LN-CON-WiFi-3CH-XV	WiFi controller for RGB, c/w RF remote 12/24VDC, 288W
LT-10S-WH	Wall mount RGB controller, 288W
LT-11S-RF	RGBW controller, 576W
LT-490A	RGBW signal amplifier



LN-CON-WIFI-3CH-XV



STICK-DE3



STICK-J GA2



SLESA-U9



STICK-GU2



LV-RF103



LV-SPIR-1CH-LV



LT-390A
NOT SHOWN: LT-290A



LV-ZJFFS-3CH-6INW



LV-DMX-IP-RGB-3CH
LV-DMX-IP-RGB-4CH



LT-031-RF



LT-032-RF



LT-09S-RF



LVL-DMX-3PIN



- LVL-DMX-3PIN-1FT
- LVL-DMX-3PIN-5FT
- LVL-DMX-3PIN-10FT
- LVL-DMX-3PIN-25FT
- LVL-DMX-3PIN-50FT
- LVL-DMX-3PIN-60FT
- LVL-DMX-3PIN-100FT



LT-10S-WH



LV-DMX-XLR-ST



LV-HS-CN-3DC



LT-11S-RF



TOKISTAR LIGHTING INC.

TokiLux™ Innovation

Since Tokistar's inception in 1971, we have remained dedicated to realizing our goals by dreaming, experimenting and bringing them to light. With the market constantly evolving due to the introduction of new LED technologies, we have aggressively kept pace. Our objective has always been to create innovative lighting systems which perform beyond expectations. **This we do with great passion.**



Gradient GRX & O'Links

High-output luminaire for exterior wall grazing



Gradient GRHB & I'Links

High-output luminaire for interior wall grazing



Micro Series

Miniature LED systems for showcase, display, museum and shelf lighting



Focal Series

All environment 3 degree beam lighting fixtures with a glare-free reflector

TokiLux

Compact LED luminaires for wall grazing, cove and indirect applications with Kelvin-Tuning and RGB options



Focal SpotMini

Miniature 3 degree spotlights for interior applications with a glare-free reflector

Light Veil

Interior Wall Grazer with asymmetrical optics for surface and recessed applications



Project: Ichikawa Home Gallery
Design: Mitsubishi Estate Home Co., Ltd.

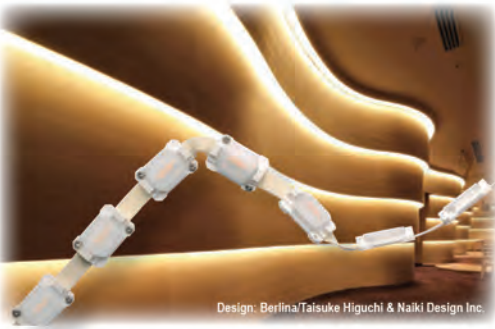
TokiLinear

TokiLinear produces uniform light in 2500, 2700, 3000, 4000K and RGB



Lightstrings

Exterior systems with sockets permanently sealed to a flexible cable for tree, panel and sign illumination



Design: Berlina/Taisuke Higuchi & Naiki Design Inc.

Advantage

Flexible LED cove and indirect lighting with a dim-to-warm option



Tapelight

All environment flexible lighting fixtures for a wide range of indirect and point-source applications



Exhibitor

All environment festoon lighting with clear, frosted and coloured globes



Tokilum and Trillium

Low profile and all environment lighting in a variety of colour temperatures and RGB



Design: Nendo
Photo: Masaya Yoshimura

Reveler

Flexible indirect lighting for use in all environments with optional channels and louvers



Linear Channels & Cable Lighting

Exterior and interior extruded channels in a variety of finishes, profile sizes and shapes

WARRANTY

MAGIC LITE 2013 LTD. warrants this lighting system to be free from defects in material and/or workmanship, under normal use and service, for a period of TWO to SIX YEARS (see specifics on product specifications) from the date of original purchase.

In the event of a defect in material or workmanship during the warranty period, Magic Lite 2013 Ltd. will repair or replace (at its option) your Lighting System under the conditions of warranty. Magic Lite 2013 Ltd. will do this at its expense for the cost of materials but not for shipping. THIS REMEDY IS THE SOLE AND EXCLUSIVE REMEDY FOR ANY AND ALL CLAIMS RELATING TO ANY BREACH OF WARRANTY BY Magic Lite 2013 Ltd.

LIMITATIONS, EXCLUSIONS AND OTHER RIGHTS

- A. Except as provided herein, Magic Lite 2013 Ltd. makes no other warranties express or implied including but not limited to the implied warranties of merchantability or fitness for a particular purpose, and all such warranties are expressly disclaimed.
- B. In no event shall Magic Lite 2013 Ltd. be liable for indirect, incidental or consequential damages, even if Magic Lite 2013 Ltd. has been advised of the possibility of such damage. This disclaimer applies during and after warranty period.
- C. Magic Lite 2013 Ltd. is not responsible for malfunctions in and/or damage to Lighting Systems where a sale is specifically made without warranty. In such an event the disclaimers of warrant and liability, set forth above, shall continue to apply.
- D. This warranty covers normal consumer use and does not cover damage which occurs during shipment or failure which results from alteration, accident, theft, misuse, abuse, abnormal use, negligent installation, improper maintenance or where adequate care has not been taken to prevent ice or snow damage to the lighting system.
- E. Specifically, when installing mini disc lights in harsh environments such as limestone, salted areas, coastal environments etc. Please use the stainless steel version to avoid the risk of corrosion to body of fixture and voiding warranty.
- F. This warranty gives specific legal rights, and you may also have other rights which vary from province to province.

If you discover a defect or malfunction during the period to which this warranty applies, call or email Magic Lite 2013 Ltd. for information or to receive warranty service.

Note: You must contact our office for a RETURN GOODS AUTHORIZATION number before returning product. After inspection it will be determined whether a credit is due.



ABOUT MAGIC LITE

In business since 1985, Magic Lite is a trusted supplier of top-quality architectural and specialty lighting products for the Canadian market.

From the latest in LED to tried-and-true traditional technologies, we're proud to offer a broad spectrum of architectural and specialty lighting options including task lighting, linear lighting, general area lighting, landscape lighting, decorative lighting and more.

We ship daily from our fully-stocked warehouse in Burlington, Ontario – and through our network of stocking distributors across Canada – to ensure prompt delivery of our products when and where you need them.

OUR PROMISE TO YOU

WE'VE GOT YOU COVERED – EVERY STEP OF THE WAY

Over the course of more than 35 years, we've earned our customers' trust by consistently delivering:

1. **Personal customer service** that leverages and reflects the skills, experience and knowledge we've acquired in our three decades in the lighting business.
2. **Proven quality** with independent third-party safety and performance test results to prove it.
3. **Innovative solutions** designed to make it as easy as possible for the end-user to choose – and install – our products.

We see each customer as a long-term partner – and your success as our success.



YOUR TRUSTED LIGHTING PARTNER

Tel: 905.825.9592 • Toll-free: 1.888.945.5483 • lights@magiclite.com • magiclite.com
1150 Northside Road, Unit 14, Burlington, Ontario, Canada L7M1W8