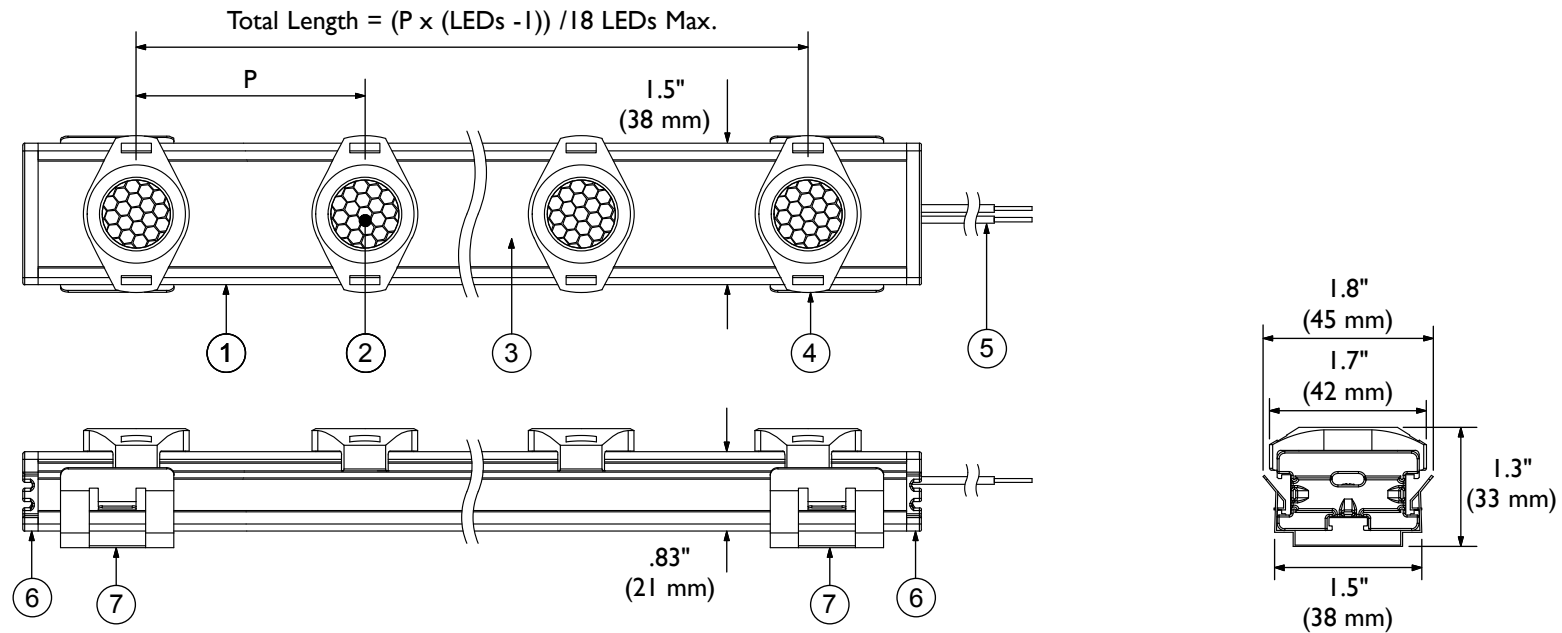


GRHB with Fixed Bracket and Honeycomb Louver



Catalog#	P (INCH)	Max. Length
GRHB-60-(2700, 3000, 4000)-(8D, 15D, SP)-FB-HL	2.4 ± .12	42.5"
GRHB-75-(2700, 3000, 4000)-(8D, 15D, SP)-FB-HL	3 ± .12	53"
GRHB-100-(2700, 3000, 4000)-(8D, 15D, SP)-FB-HL	4 ± .12	71"

Lens Code
 8D = 8°
 15D = 15°
 SP = Spread Lens

GRHB Series Specifications	
Current: 700mA	
Power: 2.1 W Per LED	
CRI Value: 85	
Color	Output
2700K	150 Lm Per LED
3000K	160 Lm Per LED
4000K	180 Lm Per LED



TOKISTAR LIGHTING INC.

1015 E. DISCOVERY LANE
 ANAHEIM, CA 92801
 TEL: 714 772 7005 FAX: 714 772 7014
 email: info@tokistar.com Website: tokistar.com

GRHB with Fixed Bracket Submittal	No.	Part	Material
Catalog#: GRHB-_(2700, 3000, 4000)-(Lens Code)-FB-HL	1	Extrusion	Black Anodized Aluminum
Date: December 1, 2018	2	LED	Solid State LED
Drawn By: R. Cordova	3	Cover Plate	Black Anodized Aluminum
Scale: 1:2	4	Honeycomb Louver	Polycarbonate
	5	Lead Wires	#18 AWG x 2
	6	End Cap	Polycarbonate
	7	Fixed Bracket	Stainless Steel