

FIXTURE INSTALLATION GUIDELINES FOR RETRO FIT

If you are installing in a wet location such as showers, MAKE SURE YOUR FIXTURE HAS A "W" IN THE PRODUCT CODE LABEL INDICATING SUITABILITY FOR WET LOCATIONS. (e.g. LVLDL-W-06)

1. For ceiling mount applications, each fixture is shipped complete with power supply mounted in approved junction box secured to back of fixture. Low voltage connections to fixture are made outside of junction box by means of quick connect. No additional housings are required when being mounted in non insulated ceilings. Insulated ceiling housings are available for insulated ceilings. (SEE INSULATED CEILING INSTRUCTIONS)
2. Assure all power is off to locations where fixtures are being installed before beginning installation.
3. Cut appropriate size hole for your fixture using template provided.
4. Remove plate on box cover marked "open this side".
5. Bring 110V power supply lead through knockout at rear of box cover using proper strain relief to hold into place.
6. Connect 110V power to 110V side of LED driver (SEE MARKINGS ON DRIVER FOR WIRE COLOUR CODES) in box using proper electrical connectors. Connect incoming ground wire to ground wire in junction box.
7. Replace cover onto box.
8. Place housing through cut out made earlier in ceiling feeding box cover end first making sure low voltage quick connector is attached to fixture wire.
9. Use clips provided with fixture to secure fixture to ceiling.
10. After all fixtures have been completely installed, turn on branch circuit breaker. If any fixtures do not illuminate after 15 seconds, then turn off circuit breaker and check errant fixture for proper connections on both primary and secondary wiring.

FIXTURE INSTALLATION GUIDELINES FOR NEW CONSTRUCTION

1. Install plaster ceiling frame to joist using adjustable mounting bars.
2. Install gypsum board (or other type) ceiling material.
3. Follow steps 1 through 10 as above.

FIXTURE INSTALLATION GUIDELINES FOR INSULATED CEILINGS

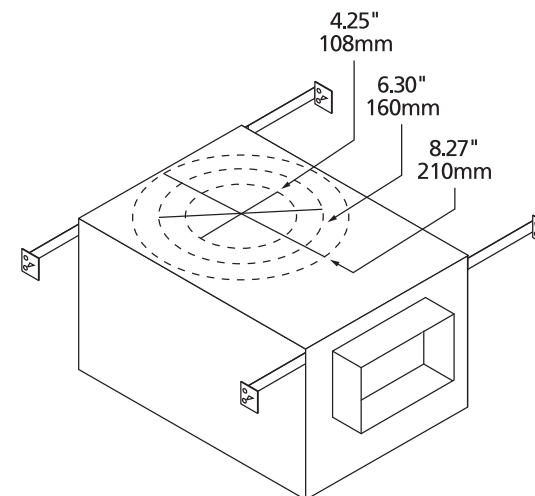
Insulated ceiling housings are available for 4" (Magic Lite part number LVLDL-04-XX-YY), 6" (Magic Lite part number LVLDL-06-XX-YY) and 8" (Magic Lite part number LVLDL-08-XX-YY) fixtures only.

Each IC housing comes with the power supply pre-mounted in junction box on side of housing. There is a quick connect for connecting secondary side of power supply to fixture when you are ready to install the low voltage fixture.

***Note:** Local building codes may require that you use a vapour barrier protection device available at most electrical distributors. This item is not supplied by Magic Lite Ltd.

1. Assure all power is off to locations where fixtures are being installed before beginning installation.
2. Install Insulated ceiling housing to joists using adjustable mounting bars.
3. Connect 120V power to 120V side of LED driver (see markings on driver for wire colour codes) in box using proper electrical connectors. Connect incoming ground wire to ground wire in junction box.
4. Install gypsum board or other ceiling material.
5. Cut appropriate size hole for your fixture using template provided.
6. Connect low voltage fixture to secondary side of power supply using quick connects provided.
7. Use clips provided with fixture to secure fixture through opening in insulated ceiling enclosure.

8. After all fixtures have been completely installed, turn on branch circuit breaker. If any fixtures do not illuminate after 15 seconds, then turn off circuit breaker and check errant fixture for proper connections on both primary and secondary wiring.



REMOTE DRIVER INSTALLATIONS

For installations requiring remote driver positioning, Magic Lite supplies the LED driver in an electrical junction box. Junction box must be securely mounted according to local electrical code.

1. Connect primary side of LED driver to 120V power using proper strain reliefs on junction box (see cautions at beginning of these instructions – power must be off!) Connect ground wire to ground screw on junction box.
2. Mount fixture in desired location and connect to secondary side of LED driver with quick connects provided. Note, if power supply is further away from fixture than existing leads allow for, use extension cords with quick connects which are available in 10' lengths (Magic Lite part # LVLDL-EX-10) and 30' lengths (LVLDL-EX-30). Note: DO NOT POSITION REMOTE DRIVER FURTHER THAN 30' FROM FIXTURE.
3. See detailed instructions above for fixture mounting.

