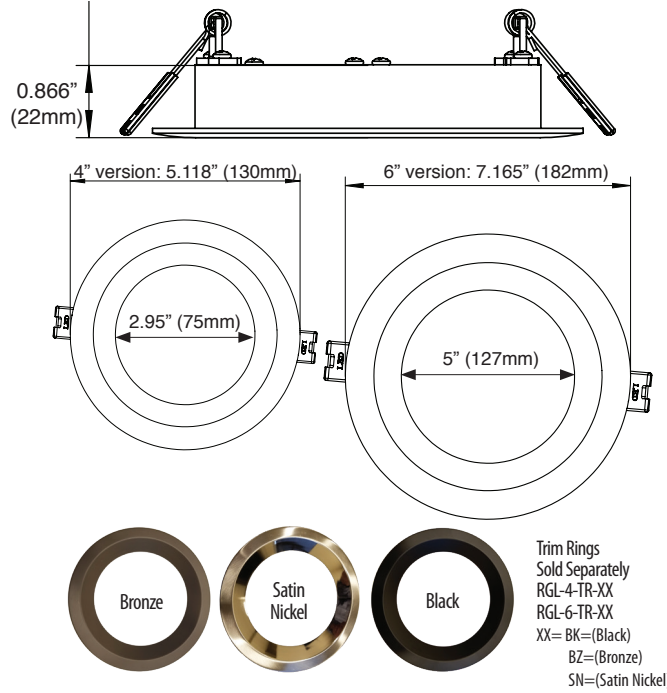
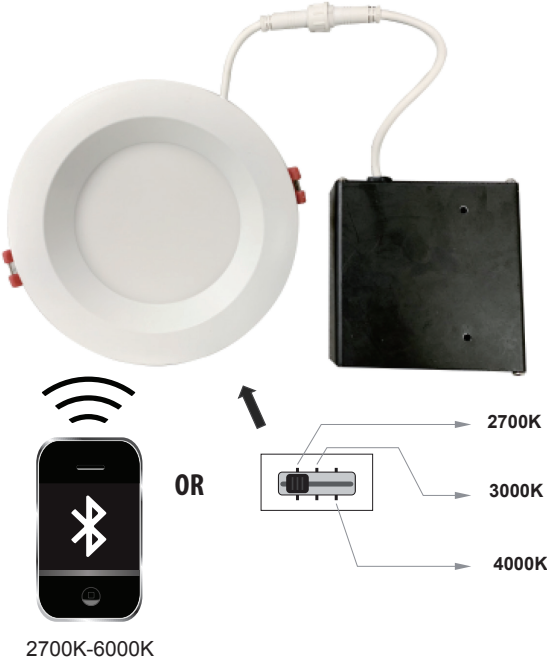


Designed for remodel and new construction, LED Regressed Down Lights CCT are a versatile and affordable choice for countless applications. Available in two great options: CCT adjustable with slider selector switch (2700K/3000K/4000K) or CCT adjustable with Bluetooth technology (2700K-5000K).

Available in Switch OR Bluetooth CCT Control



## Features

- Two convenient options: Slider Switch CCT Adjustable (2700/3000/4000K) and Bluetooth CCT Adjustable (2700-5000K) through the smartphone app
- 120° beam spread
- Dimmable: Slider Switch CCT Adjustable with Electronic Low Voltage (ELV) dimmers, and Bluetooth CCT Adjustable through the smartphone app
- Two spring loaded clips to attach to any ceiling material
- White finish. Interchangeable satin nickel, black and bronze trim rings available (sold separately).
- Suitable for damp locations
- The driver is wired for 120V input
- Optional 347V Step-Down Transformer
- 50,000 hour life
- 3 year limited warranty
- cETLus and Energy Star listed

## Specifications

Colour Temperature	Slider Switch CCT Adjustable: 2700/3000/4000K Bluetooth CCT Adjustable: 2700-5000K
Input Voltage	AC 100-277V
Power Consumption (W)	4"= 9 watts 6"= 12 watts
Lumen Output	4"= 630LM 6"= 840LM
Luminous Efficacy	70LM/W
Operating Temperature	-20°C to 40°C
Colour Rendering Index	90+
Installation Hole size:	4"= 4.13" (105mm) 6"= 6.18" (157mm)
LED Life (hours)	50,000
Approvals	cETLus, Energy Star

## Ordering Code:

CCT switch adjustable: | RGL-4B-9W-SW  
RGL-6B-12W-SW

CCT bluetooth adjustable: | RGL-4B-9W-BT  
RGL-6B-12W-BT

Project		Type	
Date		Contact	
Notes			