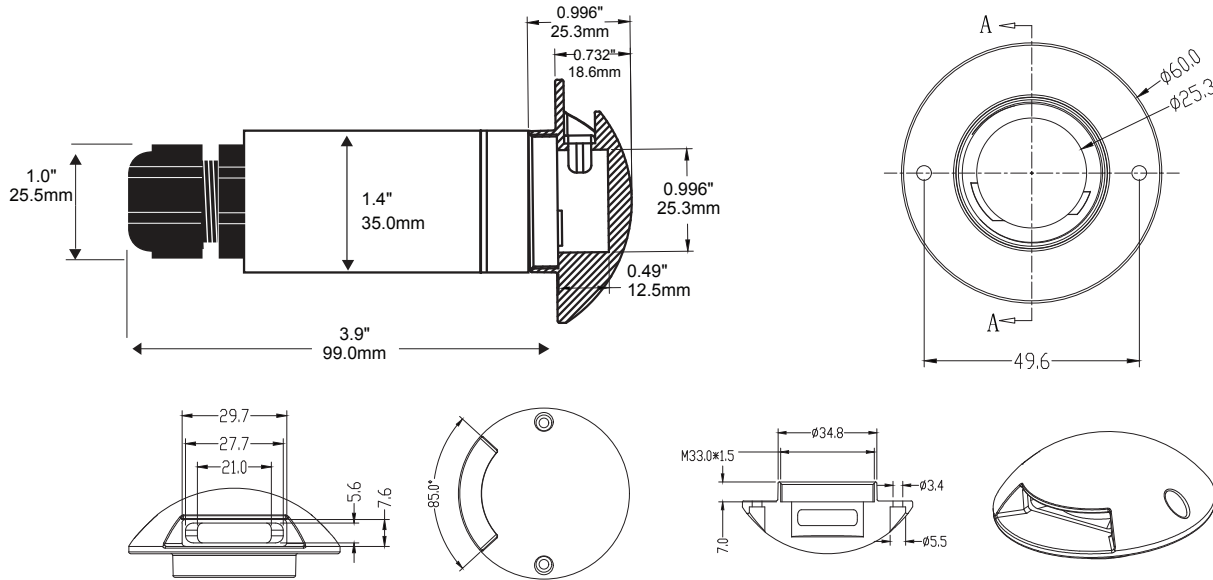


A robust LED marker light ideal for public or residential applications, indoor or outdoor.



## Features

- Dimmable with dimmable power supply
- Long life – 50,000 hours
- Low power consumption 3 watts per fixture
- Safe 12 volt, Class 2 power supply (not included)
- Up to 30 fixtures per power supply
- cETLus listed for in-wall, in-floor, outdoor wet, and outdoor burial applications
- Fits in any 1.5" diameter hole, 4" long
- 3 year limited warranty

## Specifications

<b>Voltage</b>	12V DC
<b>Power Consumption</b>	3 Watts
<b>Average LED Life</b>	50,000 hours
<b>LED Colours</b>	Cool White 98 lumens @ 5500K Warm White 95 lumens @ 2700K
<b>Cover Finish</b>	Stainless Steel
<b>Barrel Finish</b>	Stainless Steel
<b>LED Type</b>	5050
<b>Lens</b>	Clear Tempered Glass
<b>Wiring Options</b>	Our largest driver can power up to 18 LED Disc Lights wired parallel or "Daisy chained" together. <b>NOTE: Use LW-18G-CL2 for all in-wall applications, LW-18G-BUR for all burial applications.</b>
<b>Approval</b>	cETLus listed and labeled for wet, IC, wall and direct burial applications.

## Ordering Code:

LEDD-C- LED Colour -D  
 WH  
 WW

## Accessories:

### LEDD-CF

LED Disc concrete form for concrete pour applications. Fits over most 3/4" conduit junction boxes.

## Drivers:

### Dimmable (Indoor/Outdoor)

**MLDRE-20-12-DM**  
 Max. recommended load 18W or 6 LEDD  
 Min. recommended load 8W or 3 LEDD

**MLDRE-60-12-DM**  
 Max. recommended load 54W or 18 LEDD  
 Min. recommended load 8W or 3 LEDD

### Non-Dimmable

**LEDDR-12-20W-HW**  
 Indoor driver  
 20W hardwire  
 Max. 6 LEDD

**LEDDR-12-60W**  
 Indoor/Outdoor driver  
 60W hardwire  
 Max. 18 LEDD

Project		Type	
Date		Contact	
Notes			