

LED Regressed Down Light CCT

Designed for remodel and new construction, LED Regressed Down Lights CCT are a versatile and affordable choice for countless applications. Available in two great options: CCT adjustable with slider selector switch (2700K/3000K/4000K) or CCT adjustable with bluetooth technology (2700K-5000K).



FEATURES

- Two convenient options: Slider Switch CCT Adjustable (2700/3000/4000K) and Bluetooth CCT Adjustable (2700-5000K) through the free smartphone app
- 120° beam spread
- Dimmable: Slider Switch CCT Adjustable with Electronic Low Voltage (ELV) dimmers, and Bluetooth CCT Adjustable through the smartphone app
- Two spring loaded clips to attach to any ceiling material
- White finish. Interchangeable satin nickel, black and bronze trim rings available (sold separately).
- Bluetooth CCT Adjustable linkable up to 100 fixtures, individual and zonal control possible through the smartphone app
- Regressed design to reduce glare
- Suitable for damp locations
- Temperature rating: -20°C-45°C
- The driver is wired for 120V input
- Optional 347V Step-Down Transformer
- 90+ CRI
- 50,000 hour life
- 3 year limited warranty
- cETLus and Energy Star listed

APPLICATIONS

- Kitchens & Pantries
- Lobbies & Hallways
- Banquet Halls
- Elevators
- Retail
- Restaurants
- Offices

PRODUCT CODES

CCT SWITCH ADJUSTABLE
RGL - 4B - 9W - SW
RGL - 6B - 12W - SW

CCT BLUETOOTH ADJUSTABLE
RGL - 4B - 9W - BT
RGL - 6B - 12W - BT

TRIM RINGS (Sold Separately)
RGL - 4 - TR - **XX**
RGL - 6 - TR - **XX**

TRIM RING FINISH
BK - Black
BZ - Bronze
SN - Satin Nickel

STEP-DOWN TRANSFORMERS

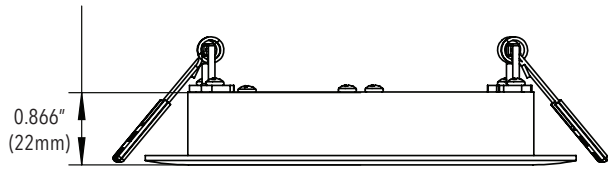
DLT-347
Step-down transformer 347/120V AC
25VA (non-dimmable)

DLT-60-347
Step-down transformer 347/120V AC
60VA (non-dimmable)

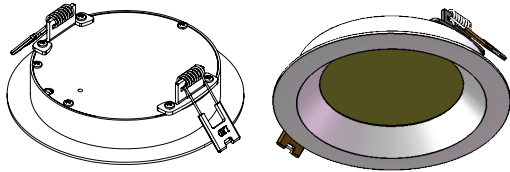
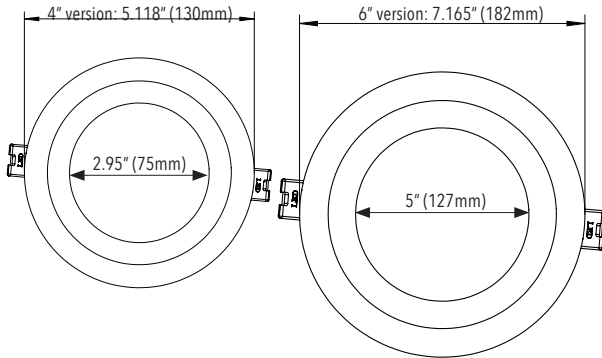
DLT-100-347
Step-down transformer 347/120V AC
100VA (non-dimmable)

SPECIFICATIONS

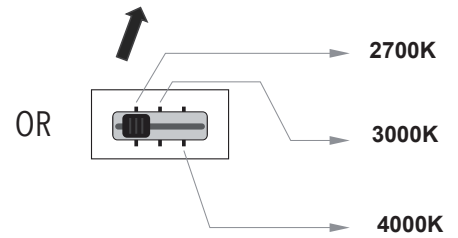
Colour Temperature	Slider Switch CCT Adjustable: 2700/3000/4000K Bluetooth CCT Adjustable: 2700-5000K
Input Voltage	AC100-277V
Power Consumption (W)	4" = 9 watts 6" = 12 watts
Lumen Output	4" = 630LM 6" = 840LM
Luminous Efficacy	70LM/W
Operating Temperature	-20°C to 40°C
Colour Rendering Index	90+
Installation Hole size	4" = 4.13" (105mm) 6" = 6.18" (157mm)
LED Life (hours)	50,000
Approvals	cETLus, Energy Star



Available in Switch OR Bluetooth CCT control.



2700K-5000K



CONSTRUCTION PLATES

