



TOKISTAR LIGHTING INSTRUCTION MANUAL

Focal Line™ Fixtures

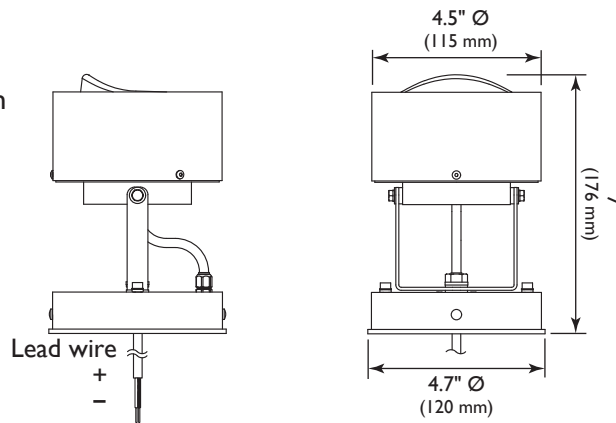
Fixture Type: FLN

700mA

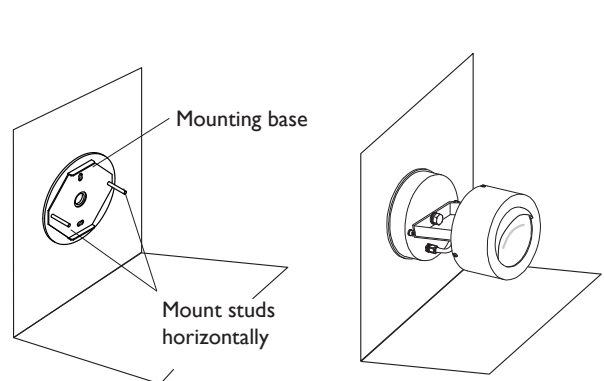
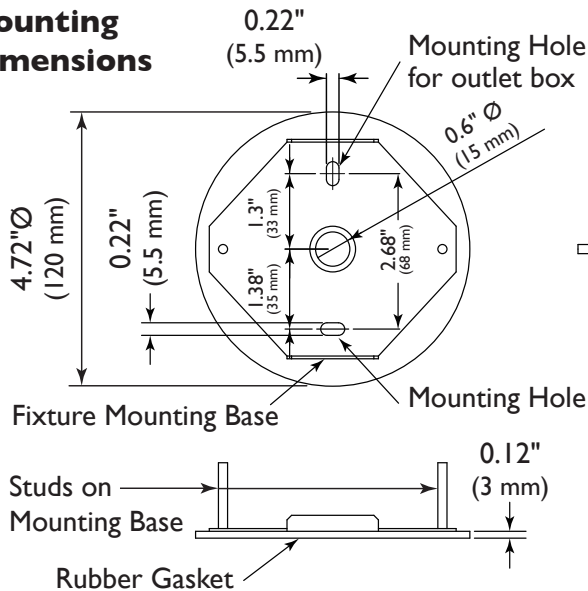
General Description

Tokistar's Focal Line is a constant current fixture operating at 700mA. The light source is a 2.1 watt LED. Focal Line operates from our LDRCC-40 dimmable LED driver. LED driver capacity is 18 fixtures. In wet locations, fixtures may be installed on vertical surfaces with the spotlight facing up or down. On horizontal surfaces in wet locations, the fixture canopy must be positioned downward.

Focal Line features an asymmetrical lens to cast a linear light on building facades.



Mounting Dimensions



Mounting Base

⚠ PRECAUTIONS

1. Read all instructions completely before beginning installation.
2. Turn off electricity before beginning installation.
3. All wiring is to be performed by a qualified electrician.
4. Installation must comply with the National Electrical Code, and all applicable codes.
5. Do not modify the fixture.
6. Turn main supply to LED driver on only after all connections have been made and tested.

Installing the fixture

Ceiling and Wall Mounting

Separate the mounting base from the canopy by unscrewing the knurled nuts while taking care not to lose the supplied washers.

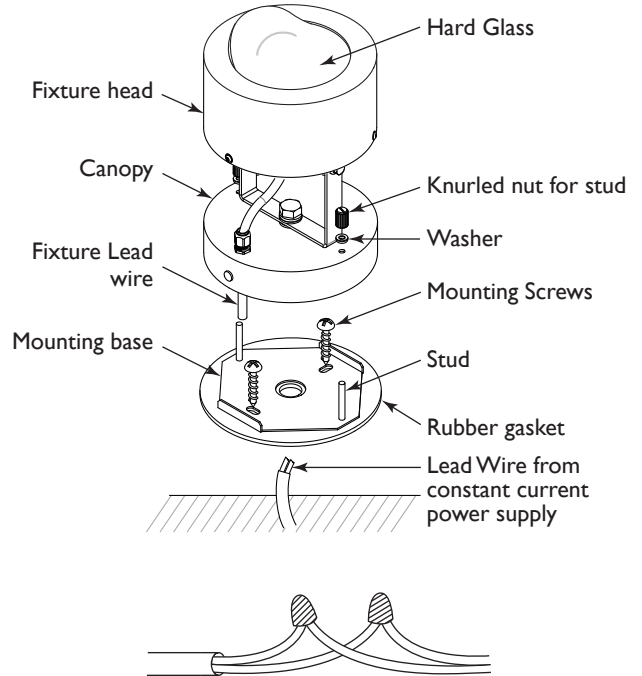
Pass the fixture lead wire through the 0.6" Ø hole in the center of the base.

Attach the mounting base to a metallic outlet box using the supplied screws while keeping the rubber gasket between them. Spacing between mounting holes is 2.68", select an appropriate outlet box based on this dimension.

The outlet box must have an opening smaller than the rubber gasket.

Connect the wires from the LED driver to the fixture wires. Insulate and waterproof the connections before securely storing them inside the canopy.

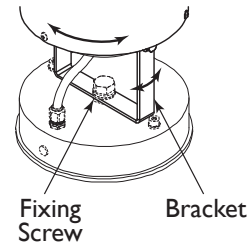
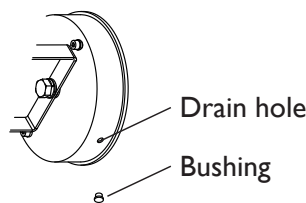
Reassemble the fixture by inserting the mounting base studs into the holes on the canopy, then tighten the assembly using the washers and knurled nuts.



With power off, connect the LED driver's DC output wires to the LED lighting fixture using the proper UL approved wire nuts or other secure connection means. Wires must be properly insulated, waterproofed and stored in the canopy.

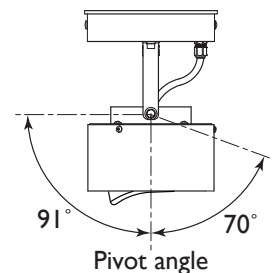
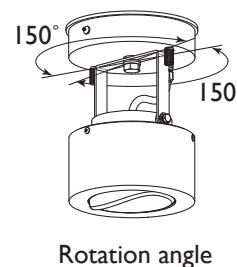
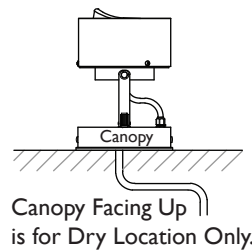
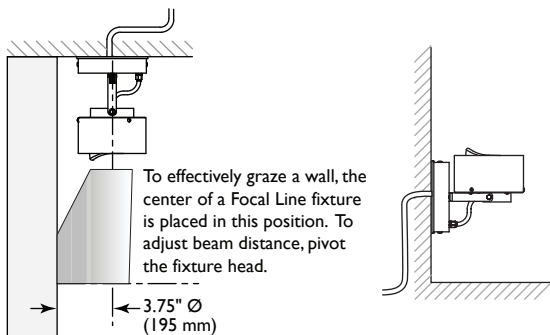
Wall Mounting/Drain Holes

When affixing a fixture to a wall, make sure one of the canopy drain holes is facing downward. Remove the bushing facing downward.



Tighten the Fixing Screw by hand. Over tightening may cause damage.

Fixture Orientation



⚠ PRECAUTIONS

Fixtures must be installed on a flat surface.

Do not install in an area smaller than the 4.7" Ø rubber gasket.

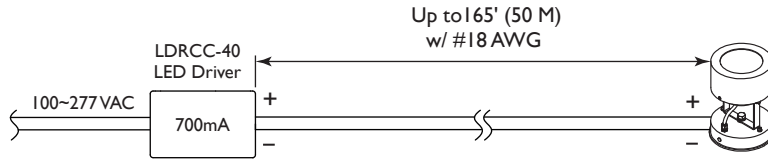
Do not install the product in a area where water may accumulate or be flooded by heavy rain.

Turn main supply to LED driver on only after all connections have been made and tested.

Secondary Circuit Wiring

Lead Wire

When using #18 AWG, the fixture(s) may be remotely placed up to 165' from the power supply.

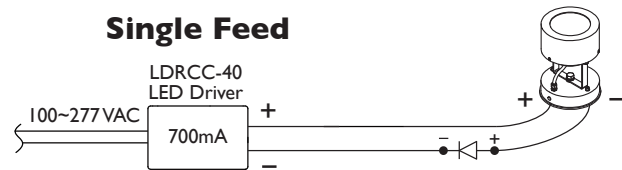


Wiring Diagrams

When connecting one fixture to another, a (+) wire must be connected to a (-) wire.

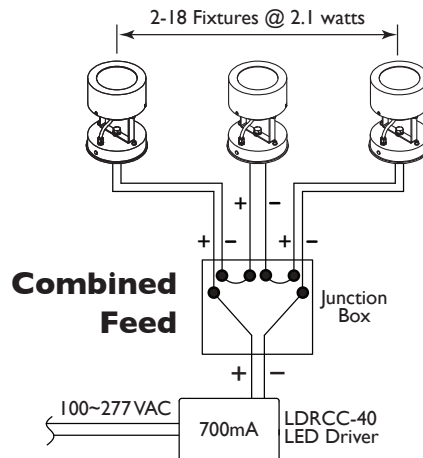
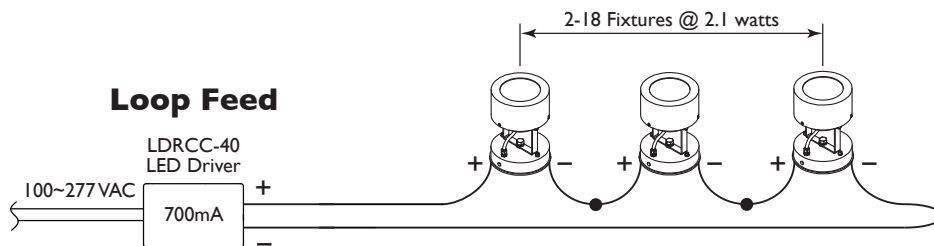
Single Fixture Diagram

A single fixture application requires the addition of a factory-installed diode in order to meet the minimum load levels of an LED driver.



Multiple Fixture Diagram

From 2-18 fixtures can be fed from a single LED driver. These may be wired in a series/loop configuration, or each fixture can have independent lead wires routed back to the LED driver location and combined in a junction box.

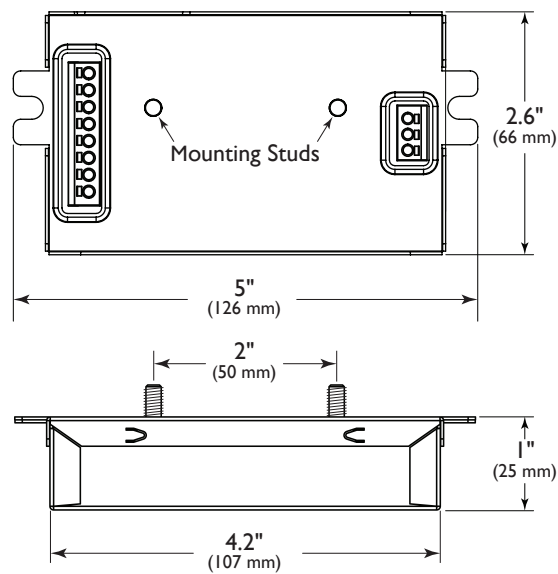


LED Driver

Part#: LDRCC-40

Tokistar's 40 watt LDRCC-40 constant current LED driver offers PWM dimming from 0-10 VDC dimming control and has full range dim-to-off capability. This ensures smooth flicker-free operation at all levels. The input is universal ranging from 100 to 277 VAC 50/60 Hz.

Part#	Input Volts	Output Voltage	Output Current	Capacity
LDRCC-40	100~277	3-57 VDC	700mA	18 Fixtures



PRECAUTIONS

The LED Driver is rated for dry locations only. It must be installed within an enclosure suitable for the environment.