

Wedge Light

The LED Wedge Light is designed as a durable lighting solution for all weather conditions, making it suitable for outlining buildings and various decorative lighting projects. Its robust construction ensures reliable performance in diverse environments.



FEATURES

- 50,000 hours life
- Low power consumption
- Safe class 2, 12V power supply
- Field cuttable
- Multiple lamp spacings available
- Durable construction for indoor and outdoor use
- Available in Cool White and Warm White
- Optional Red, Blue, Green & Amber LEDs are also available
- 2 years limited warranty

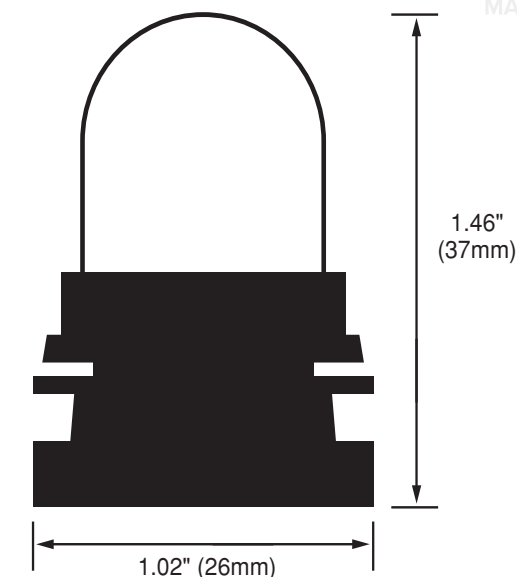
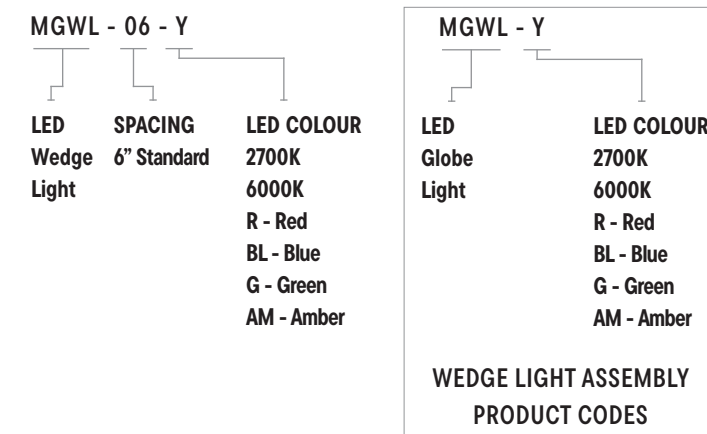
APPLICATIONS

- Building outlines
- Under soffits
- Bridges
- Architectural features
- Coves
- Window decorations
- Decks and patios

SPECIFICATIONS

Product Code		MGST-12-Y
Electrical	Input Voltage	12V DC
	Power Consumption	.25W/Ft
Specs	Colour Temperature	2700/6000K
	CRI	80+
	Lumen Output	15 Lumens
	LED Colours	2700K, 6000K, Red, Blue, Green, Amber (Upon request)
	Efficacy	60 Lumens per watt
	Wiring	Directly wired to class 2, 24V power supply
	Dimmable	Yes
	Cable	PVC black SPT2, 16AWG outdoor rated
Design	Life Span	50,000 Hours
	Spacing	6"
	# per foot (304mm)	2
	Dimensions (Inches)	1.02" x 1.46"
	Dimensions (Millimeters)	26 x 37mm
Warranty	Finish	Black
	Max Single Run Length	100' (45.6M) Not to exceed 200 lamps
	Operating Temperature	-25°C to 65°C
	Approved Location	Indoor/Outdoor
Warranty		2 years
Approvals		cETLus

PRODUCT CODES



ACCESSORIES

MGNC
Wood nail mounting clip

MGEC
End cap for wire (Bag of 10)

MGWC
Tie wrap for mounting to wire

ST16W
Outdoor rated cable for DIY mounting of LED Wedge Light

MGTP
Double sided tape (Bag of 50 pieces)



MGST-XX-LAMP
Replacement lamp (XX: 2700K, 6000K, R (Red), BL (Blue), G (Green), AM (Amber))

INDOOR/OUTDOOR DIMMABLE DRIVERS

MLDRE-20-12-DM
Min 8 Watts, 32 Wedges
Max number of Wedges = 80
20 Watts
6.77" x 2.67" x 1.26" (171 x 68 x 32mm)

MLDRE-60-12-DM
Min 8 Watts, 32 Wedges
Max number of Wedges = 200
60 Watts
6.77" x 2.67" x 1.26" (171 x 68 x 32mm)

NOTE: For outdoor installations, please add E-KO-SR strain relief (2pcs/driver).

NON DIMMABLE DRIVERS

LEDDR-12-60W
Indoor/Outdoor driver
Max number of Wedges = 200
60W hardwire
Input: 100 - 240V AC
Output: 12V DC
9 11/16" x 2 9/16" x 2 1/16" (246 x 65 x 52mm)

LEDDR-12-20W-HW
Indoor driver
Max number of Wedges = 80
20W hardwire
Input: 100 - 240V AC
Output: 12V DC
4 1/8" x 4 1/8" x 1 1/2" (104.8 x 104.8 x 38.1mm)