

Tri-Proof Lights

Tri-Proof Lights are robust and stylish, designed to withstand impacts, dust, and water, making them suitable for tough environments like factories and garages, as well as residential areas like stairwells and hallways.



FEATURES

- Water-proof (IP66), dust-proof, pressure-proof (IK10)
- Luminous Efficacy (LPW): 110-120
- Available in 4 ft. length / 40W version
- Excellent heat dissipation
- 50,000 hours life
- Energy efficient: Up to 80% energy savings
- Vandal resistant
- cETLus listed
- 5 years limited warranty

APPLICATIONS

- Parking garages
- Tunnels
- Airports
- Exhibition halls
- Railway, bus and subway stations
- Warehouses and factories
- Supermarkets
- Schools

SPECIFICATIONS

Product Code	SL66-4FT-40W-40	
Electrical	Input Voltage	100-240V/277V
	Power Efficiency	90%
Specs	Colour Temperature	4000K
	CRI	80+
	Luminous Efficacy	110-120LM/W
	Dimmable	N/A
	Beam Angle	120°
LED	Type	High brightness SMD2835
	Life Span	N/A
Design	Dimensions (Inches)	48 x 3.7 x 2.7"
	Dimensions (Millimeters)	1200 x 94 x 69mm
	Operating Temperature	-22°F to 113°F (-30°C to 45°C)
	Approved Location	Indoor/Outdoor
	Mounting	N/A
Warranty	5 years	
Approvals	cETLus	

NOTE: Each fixture ships with two strain relief connectors.

PRODUCT CODES

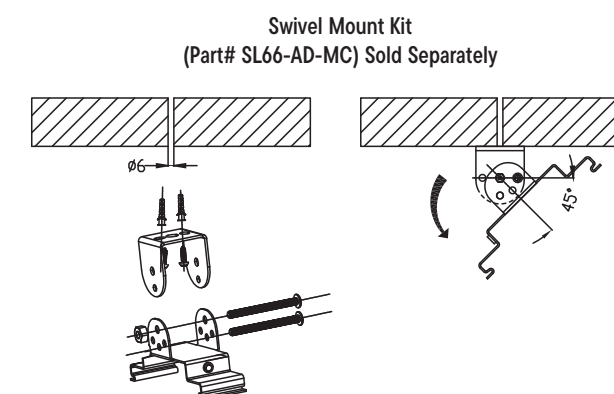
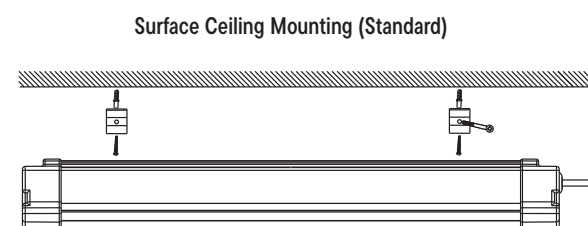
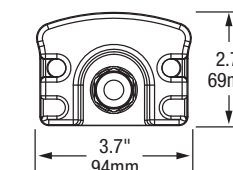
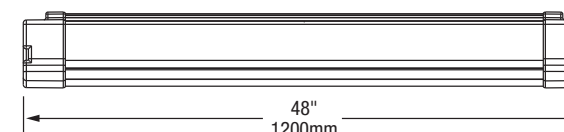
SL66 - 4FT - 40W - XX

Tri-Proof Light

LED COLOUR

40: 4000K

DIAGRAM



Suspended Mounting (Suspension Kit - Part# SL66-Sus-Kit) Sold Separately

