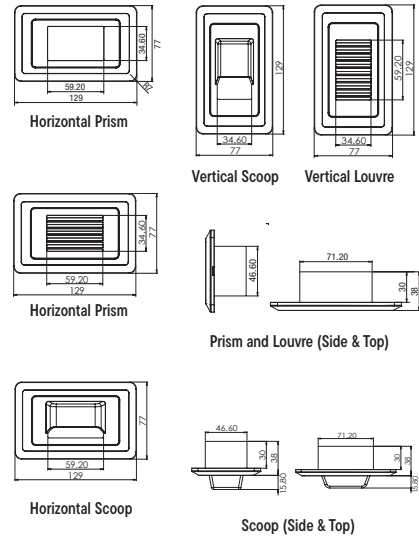
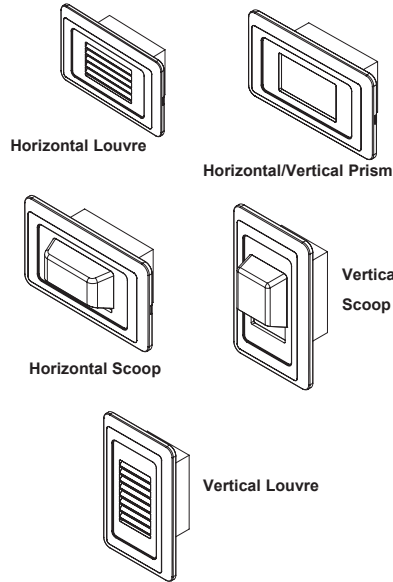


LED Switch Star is ideal for both indoor and outdoor settings, offering an excellent solution for security or exit lighting. This fixture connects directly to 120V without the need for remote drivers, simplifying installation.

COVER STYLES:

COVER DIMENSIONS:



Features:

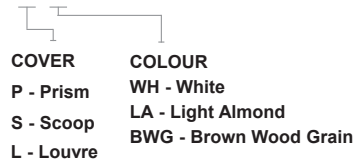
- 1.4W power consumption
- Mounts on 2" x 4" boxes
- Outdoor/indoor ready
- Louvre/scoop/prism covers
- Horizontal/vertical mounting
- 3 color choices
- Dimmable functionality
- 40,000-hour LED lifespan
- cETLus safety certified
- 3 years warranty

Specifications

Color Temperature	2700K or Amber
Input Voltage	120V AC, .012A
Power Consumption (W)	1.4W
Lumens	468LM
Beam Angle	120°
Dimmable	no
CRI	80+
Life Span (hours)	40,000 Hours to 70% Lumen output
Limited Warranty	3 years
Approvals	cETLus

Ordering Codes:

LED-SW-X-Y



Project		Type	
Date		Contact	
Notes			