

Switch Star

LED Switch Star is ideal for both indoor and outdoor settings, offering an excellent solution for security or exit lighting. This fixture connects directly to 120V without the need for remote drivers, simplifying installation.



FEATURES

- 1.4W power consumption
- Mounts on 2" x 4" boxes
- Outdoor/indoor ready
- Louvre/scoop/prism covers
- Horizontal/vertical mounting
- 3 color choices
- Dimmable functionality
- 40,000-hour LED lifespan
- cETLus safety certified
- 3 years warranty

APPLICATIONS

- Hallways, stairways
- Night light
- Decks, patios
- Garages, elevators
- Commercial/residential exteriors

SPECIFICATIONS		
Product Code	LED-SW-X-Y	
Electrical	Input Voltage	120V AC, .012A
	Power Consumption	1.4W
Specs	Colour Temperature	2700K or Amber
	CRI	80+
	Lumen Output	468LM
	Efficacy (LM/W)	57
	Dimmable	No
	Beam Angle	120°
LED	Type	AC LED
	Life Span	40,000 Hours to 70% Lumen output
Design	Dimensions (Inches)	5.07 x 3.03"
	Dimensions (Millimeters)	129 x 77mm
	Finish	White, Light Almond, Brown Wood Grain
	Material	Polycarbonate (5VA flame rated, F1 UV rated) & Glass
	Operating Temperature	-30°C to 60°C
	Approved Location	Indoor/Outdoor
	Mounting	Via screws
Warranty	3 years	
Approvals	cETLus listed	

PRODUCT CODES

LED-SW-X-Y

LED	COVER	COLOUR
Switch	P - Prism	WH - White
Star	S - Scoop	LA - Light Almond
	L - Louvre	BWG - Brown Wood Grain

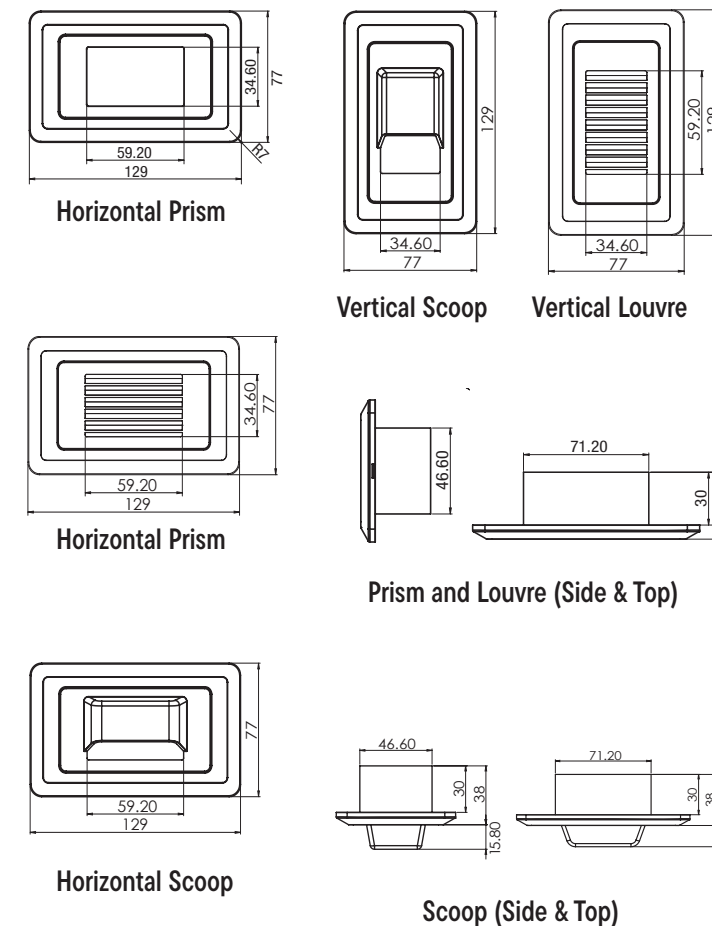
- Note: Add (-AM) on the part number for Amber LED fixture
- Scoop and Louvre covers are supplied in both horizontal and vertical.

LED-SW-X-Y-COV

LED	COVER	COLOUR	REPLACEMENT COVER
Switch	P - Prism	WH - White	
Star	S - Scoop	LA - Light Almond	
	L - Louvre	BWG - Brown Wood Grain	



COVER DIMENSIONS



COVER STYLES

