

Step Star (Gen II)

LED Step Star offers durable, energy-efficient lighting for stairs and pathways, suitable for both indoor and outdoor use, with a robust cast aluminum build ideal for concrete installations.



FEATURES

- 40,000-hour LED lifespan
- Ultra-low energy use: 5.2 watts
- Color accuracy with CRI 80+
- Lens: Frosted tempered glass
- Supports 120VAC power input
- Up to 150 units per 120VAC circuit

- Durable die-cast aluminum enclosure
- Versatile indoor/outdoor certification (cETLus)
- Compatible with TRIAC dimmers
- 3 years warranty

APPLICATIONS

- Interior stairs
- Exterior stairs
- Aisles
- Hallways
- Paths
- Public areas
- Emergency lighting
- Theaters
- Patios
- Decks

SPECIFICATIONS

Product Code		LEDSST-II-WH-X-YY
Electrical	Input Voltage	120V AC
	Power Consumption	5.2W
Specs	Colour Temperature	3000K
	CRI	80+
	Lumen Output	468LM
	Efficacy (LM/W)	N/A
	Dimmable	Yes, with TRIAC dimmable systems
	Beam Angle	N/A
LED	Life Span	>40,000 Hours
	Dimensions (Inches)	3 x 9"
Design	Dimensions (Millimeters)	76.2 x 228.6mm
	Can Finish	Powder Coated White
	Cover Finish	White, Black, Bronze, and Aluminum
	Lens	Can be daisy chained up to 150 fixtures per 15A circuit
	Operating Temperature	N/A
	Approved Location	Wet and IC locations
	Mounting	Wall, ceiling
	Warranty	3 years
Approvals	cETLus listed for wall, ceiling, wet and IC locations	

Wiring Options: 20V AC hardwire – can be daisy chained up to 150 fixtures per 15A circuit.



PRODUCT CODES

LEDSST-II-WH-X-YY

LED	COLOUR OF LED	COVER	COVER FINISH
Step Star Gen II	3000K	P - Prism S - Scoop L - Louvre	WH - White BK - Black BZ - Bronze AL - Aluminum

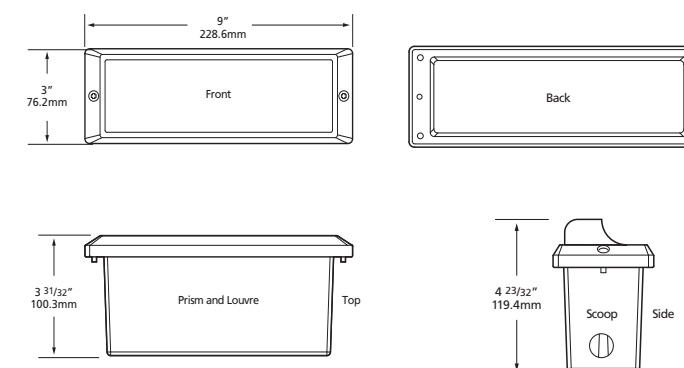
REPLACEMENT KIT

LST-II-KIT

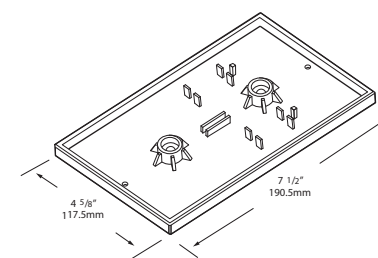
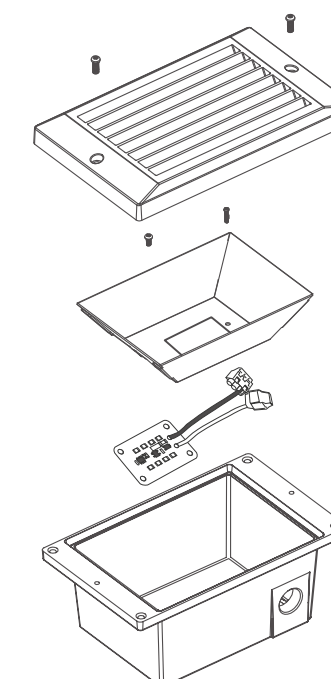
- Concrete cap for concrete pour installations.
- NOTE: For outdoor installations, a 1/2" liquid tight strain relief is recommended.

CONCRETE CAP

SL-CC



DIAGRAM



Concrete Cap (for concrete pour installations)

- Product Code: **BL-CC**
- IMPORTANT: It is recommended that you use Magic Lite / NSL's Concrete Cap for concrete pour installations. These caps assist in providing a proper reveal for flush mount of fixture cover after concrete is dry.