

# Step Star (Gen II)

LED Step Star offers durable, energy-efficient lighting for stairs and pathways, suitable for both indoor and outdoor use, with a robust cast aluminum build ideal for concrete installations.



## FEATURES

- 40,000-hour LED lifespan
- Ultra-low energy use: 5.2 watts
- Color accuracy with CRI 80+
- Lens: Frosted tempered glass
- Supports 120VAC power input
- Up to 150 units per 120VAC circuit
- Durable die-cast aluminum enclosure
- Versatile indoor/outdoor certification (cETLus)
- Compatible with TRIAC dimmers
- 3 years warranty

## APPLICATIONS

- Interior stairs
- Exterior stairs
- Aisles
- Hallways
- Paths
- Public areas
- Emergency lighting
- Theaters
- Patios
- Decks

## SPECIFICATIONS

SPECIFICATIONS		LEDSST-II-WH-X-YY
<b>Product Code</b>	LEDSST-II-WH-X-YY	
<b>Electrical</b>	Input Voltage	120V AC
	Power Consumption	5.2W
<b>Specs</b>	Colour Temperature	3000K
	CRI	80+
	Lumen Output	468LM
	Efficacy (LM/W)	90
	Dimmable	Yes, with TRIAC dimmable systems
	Beam Angle	N/A
<b>LED</b>	Life Span	>40,000 Hours
<b>Design</b>	Dimensions (Inches)	4 5/8 x 7 1/2"
	Dimensions (Millimeters)	117.5 x 190.5mm
	Can Finish	Powder Coated White
	Cover Finish	White, Black, Bronze, and Aluminum
	Lens	Can be daisy chained up to 150 fixtures per 15A circuit
	Approved Location	Wet and IC locations
	Mounting	Wall, ceiling
<b>Warranty</b>	3 years	
<b>Approvals</b>	cETLus listed for wall, ceiling, wet and IC locations	

Wiring Options: 20V AC hardwire – can be daisy chained up to 150 fixtures per 15A circuit.



## PRODUCT CODES

LEDSST-II-WH-X-YY

LED	COLOUR OF LED	COVER	COVER FINISH
Step Star	3000K	P - Prism	WH - White
Gen II		S - Scoop	BK - Black
		L - Louvre	BZ - Bronze
			AL - Aluminum

## REPLACEMENT KIT

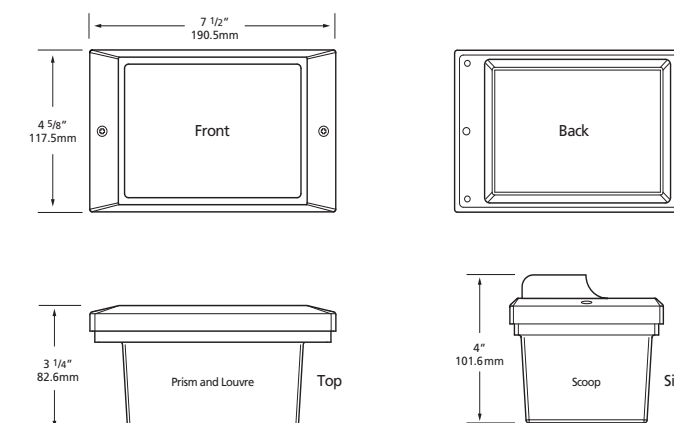
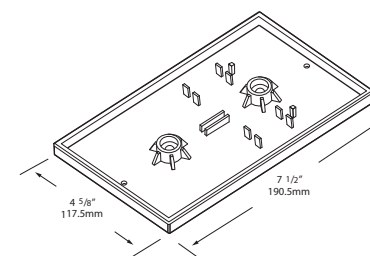
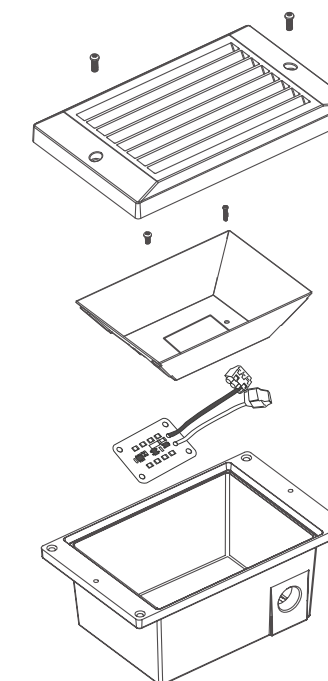
LST-II-KIT

- Concrete cap for concrete pour installations.
- NOTE: For outdoor installations, a 1/2" liquid tight strain relief is recommended.

## CONCRETE CAP

SL-CC

## DIAGRAM



## Concrete Cap (for concrete pour installations)

- Product Code: **BL-CC**
- IMPORTANT: It is recommended that you use Magic Lite / NSL's Concrete Cap for concrete pour installations. These caps assist in providing a proper reveal for flush mount of fixture cover after concrete is dry.