

Xenon Wall Light

Xenon Wall Light by Magic Lite provides a safe, attractive and affordable way to light interior and exterior steps, aisles, halls, paths, patios and entrance ways. There are three decorative covers to choose from: Louvre, Scoop or Prism. Each cover is available in White, Black, Brushed Aluminum or Bronze.



FEATURES

- Xenon lamps burn significantly cooler than halogen
- Brighter than fluorescent
- Four times the lamp life, at half the replacement cost of 120 V halogen
- No harmful UV rays
- Safe low pressure bulbs
- Dimmable
- cETLus listed for wet and IC locations
- Diecast aluminum construction suitable for concrete pour installations
- 1 year limited warranty

APPLICATIONS

- Interior stairs
- Exterior stairs
- Aisles
- Hallways
- Paths
- Patios & Decks
- Emergency lighting
- Theaters
- Public areas
- Patios

SPECIFICATIONS

Electrical	120V AC, 18W
Wiring Options	120V AC hardwire - can be daisy chained up to 66 fixtures per 15A circuit
LED Life	10,000 hours
Colour Temperature	2750K
Replacement Lamp	12V, 18W, product code XTL-BULB
Cover Finish	Powder Coated White, Bronze, Black, Brushed Aluminum
Can Finish	Powder Coated White
Construction	Cover and can cast aluminum
Lens	Frosted Tempered Glass
Cover Dimensions	Scoop 6 3/8" x 1 1/2" (161.9 x 38.1mm) Prism 6 3/8" x 5/8" (161.9 x 15.87mm) Louvre 6 3/8" x 3/4" (161.9 x 19.0mm)
Can Dimensions with surface mounting tabs	Scoop 6 1/4" x 3" (159.0 x 76.2mm) Prism 6 1/4" x 3" (159.0 x 76.2mm) Louvre 6 1/4" x 3" (159.0 x 76.2mm)
Can Dimensions with surface mounting tabs removed	Scoop 4 7/8" x 3" (124.0 x 76.2mm) Prism 4 7/8" x 3" (124.0 x 76.2mm) Louvre 4 7/8" x 3" (124.0 x 76.2mm)
Approvals	cETLus listed for wall, ceiling, wet and IC locations

PRODUCT CODES

XWL - X - YY

Xenon Wall Light	COVER TYPE	LED COLOUR
	P - Prism	WH - White
	S - Scoop	BK - Black
	L - Louvre	BZ - Bronze
		AL - Aluminum

CONCRETE CAP

WL-CC

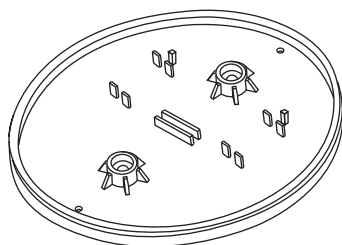
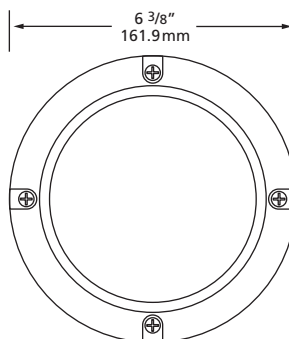
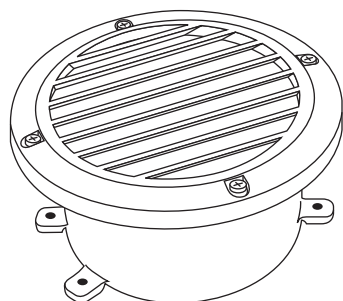
Concrete cap for concrete pour installations

NOTE: For outdoor installations, a 1/2" strain relief cord connector is recommended.

ACCESSORIES

XTL-BULB

18W, 12V Xenon replacement bulb



Concrete Cap
for concrete pour installations

Product Code: **WL-CC**

IMPORTANT: It is recommended that you use Magic Lite's Concrete Cap for concrete pour installations. These caps assist in providing a proper reveal for flush mount of fixture cover after concrete is dry.

COVER TYPES AND FINISH



Scoop Cover



Prism Cover



Louvre Cover