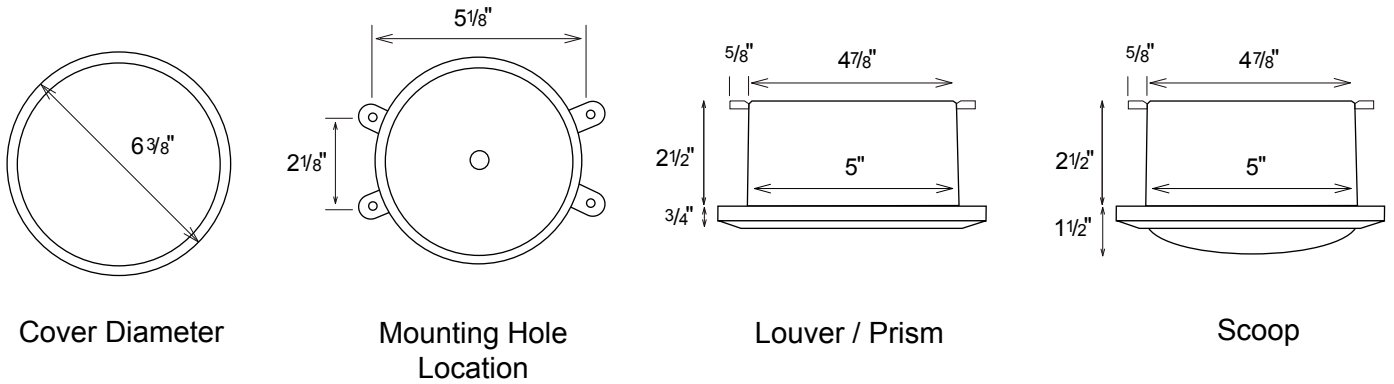


Xenon Wall Light provides a safe attractive and affordable way to light interior and exterior step, aisles, halls, paths, patios and entrance ways.



Features

- Xenon lamps burn significantly cooler than halogen.
- Brighter than Fluorescent.
- Four times the lamp life, at half the replacement cost of 120V halogen.
- No harmful UV rays
- Safe low pressure bulb
- Dimmable
- cUL listed for wet and IC locations
- 1 year limited warranty
- Die cast Aluminum construction suitable for concrete pour installations.

Specifications

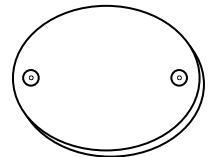
Input Voltage	120V AC
Power Consumption	18 Watts
Average Lamp Life	10,000 hours
Colour Temperature	2750K
Cover Finish	Powder Coated White, Bronze, Brushed Aluminum, Black
Can Finish	Powder Coated White
Construction	Cover and can cast aluminum
Lens	Frosted Tempered Glass
Wiring Options	120V AC hardwire – can be daisy chained up to 66 fixtures per 15A circuit.
Approvals	cUL listed for wet and IC locations
Replacement Lamp	XTL-BULB

Ordering Code:

XWL - -

P - Prism **WH** - White
S - Scoop **BK** - Black
L - Louvre **BZ** - Bronze
 AL - Aluminum

Accessories:



WL-CC
 Wall Light Concrete Cap
 Required for all concrete pour and brick wall applications.

Project		Type	
Date		Contact	
Notes			