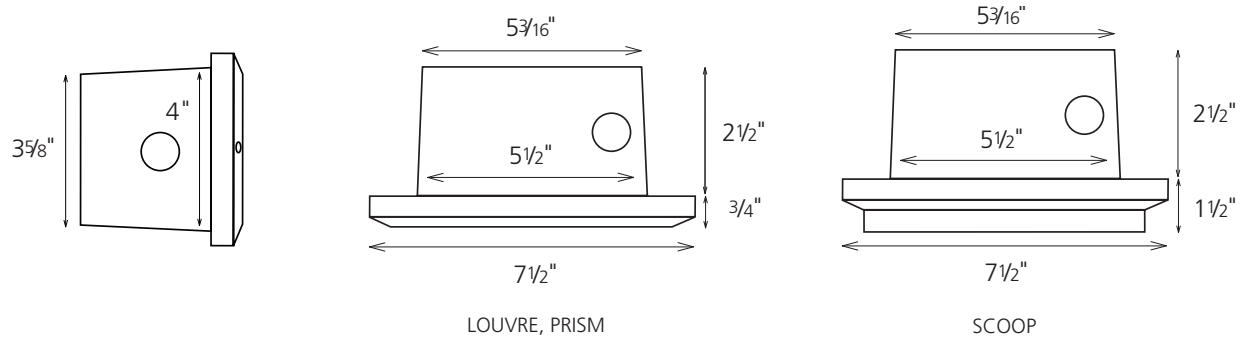
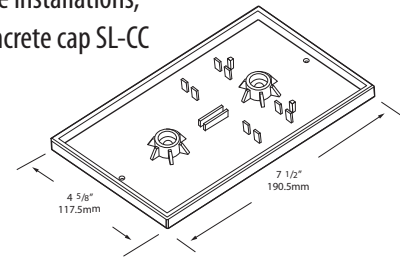


Die cast aluminum wall mount Xenon Step light fixture of 18 watts. 110VAC input and output of fixture. Up to 66 fixtures per 15A circuit. 10,000 hour average Xenon bulb life of 2800K colour temperature. cETLus listed Wet Location for all interior and exterior wall, ceiling, and concrete pour applications.



**NOTE:** for concrete installations, please use the concrete cap SL-CC



## Features

- cETLus listed Wet Location for all interior and exterior wall, ceiling, and concrete pour applications.
- Dimmable with a low voltage electronic dimmer.
- 18 watts per fixture energy usage
- Up to 66 fixtures per 110VAC tap
- 3 cover designs: Louvre, Prism and Scoop
- 4 cover colour options: White, Bronze, Black or Aluminum
- 10,000-hour average Xenon bulb life
- 110V Power Input
- Integral 12VAC transformer in each fixture
- Frosted glass lens
- Die cast aluminum can and cover; suitable for concrete pour
- 110V push-in connectors included for ease of power input
- Each fixture ships complete with can and cover

## Specifications

Colour Temperature	2800K +/- 200K
Input Voltage	110VAC
Power Consumption (W)	18 Watts
Can Finish	White
Cover Finish	White, Bronze, Black, Aluminum
Construction	Cover and can die cast aluminum
Life Span (hours)	10,000
Lens	Frosted tempered glass
Wiring Options	110V can be parallel wired ("daisy chained") up to 66 fixtures per tap. Check local code and CEC for wiring selection
Approvals	cETLus listed for wall, ceiling, wet and IC locations

## Ordering Code:

XSL-  -

Cover Type      Finish Colour

L = Louvre      WH = White  
P = Prism      BZ = Bronze  
S = Scoop      BK = Black  
AL = Aluminum

Project		Type	
Date		Contact	
Notes			