

# LED Thin-Line Round Down Light GEN III

Thin-line LED Down Lights are a breakthrough in LED down light technology. Designed for remodel and new construction, wet locations listed, Thin-Line Down Lights are a versatile and affordable choice for countless applications.

## FEATURES

- Energy Star rated - up to 80% energy savings
- Dimmable to 5% with most ELV dimmers
- Ultra thin design
- Suitable for wet locations
- 120° beam spread
- No IC can required
- Temperature rating: -20°C-45°C
- Airtight
- The driver is wired for 120V input
- 50,000 hour life
- 5 year limited warranty
- Airtight
- cETLus and Energy Star listed
- White finish
- Interchangeable brushed nickel, black and bronze trim rings available (sold separately)



## APPLICATIONS

- Kitchens & Pantries
- Laundry Rooms
- Bathrooms
- Lobbies
- Hallways
- Banquet Halls
- Elevators
- Retail lighting
- Restaurants
- Offices

## SPECIFICATIONS

	3 inch	4 inch	6 inch	8 inch	10 inch
LED Colour	White				
Colour Temperature	3000K / 4000K				
Input Voltage	120V				
Power Consumption (W)	6	9	12	15	20
No. SMD2835 LEDs	36	48	72	96	120
Lumens					
WW	487	701	1046	1152	1776
NW	492	719	1079	1276	1786
CRI	80+				
Dimmable	120V only				
Life Span (hours)	50,000 hrs				
Appearance Size D1 x D2 x H	3.15" x 3.74" x 0.5" (80mm x 95mm x 13mm)	4.17" x 4.73" x 0.5" (106mm x 120mm x 13mm)	6.14" x 6.85" x 0.5" (156mm x 174mm x 13mm)	8.15" x 8.9" x 0.5" (207mm x 226mm x 13mm)	10" x 10.79" x 0.5" (254mm x 274mm x 13mm)
Installation Hole Size	3.35" (85mm)	4.33" (110mm)	6.3" (160mm)	8.27" (210mm)	10.16" (258mm)
Dimensions (J-Box) L x W x H	4.8" x 2.05" x 1.86" (122mm x 52mm x 47.3mm)	3.74" x 3.5" x 1.3" (95mm x 89mm x 33mm)	3.74" x 3.5" x 1.3" (95mm x 89mm x 33mm)	3.74" x 3.5" x 1.3" (95mm x 89mm x 33mm)	3.74" x 3.5" x 1.3" (95mm x 89mm x 33mm)

## PRODUCT CODES

### ROUND

**LVLDL - YY - XX - WH - R - L3**

LED Thin Line  
Down Lights  
Gen III

SIZE  
**03** - 3"  
**04** - 4"  
**06** - 6"  
**08** - 8"  
**10** - 10"

LED COLOUR  
**WW** - 3000K  
**NW** - 4000K

### ROUND TRIM RINGS

(Sold Separately)

LVLDL - **03** - TR - **XX** - L3  
LVLDL - **04** - TR - **XX** - L3  
LVLDL - **06** - TR - **XX** - L3  
LVLDL - **08** - TR - **XX** - L3  
LVLDL - **10** - TR - **XX** - L3

### TRIM RING FINISH

**BK** - Black  
**BZ** - Bronze  
**BN** - Brushed Nickel

### BEAUTY RINGS

(Sold Separately)

LVLDL - BR - **3** - L3  
LVLDL - BR - **4** - L3  
LVLDL - BR - **6** - L3  
LVLDL - BR - **8** - L3  
LVLDL - BR - **10** - L3

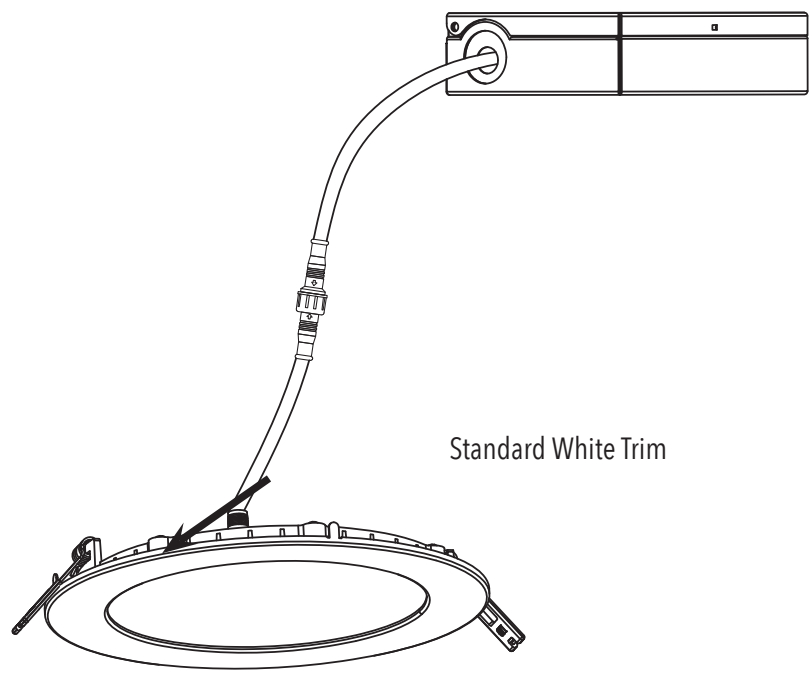
† White finish only.

### STEP-DOWN TRANSFORMERS

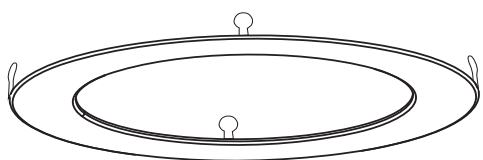
**DLT-347**  
Step-down transformer  
347/120V AC 25VA  
(non-dimmable)  
**DLT-60-347**  
Step-down transformer  
347/120V AC, 60VA  
(non-dimmable)  
**DLT-100-347**  
Step-down transformer  
347/120V AC, 100VA  
(non-dimmable)

### EXTENSION CORDS (for remote driver placement)

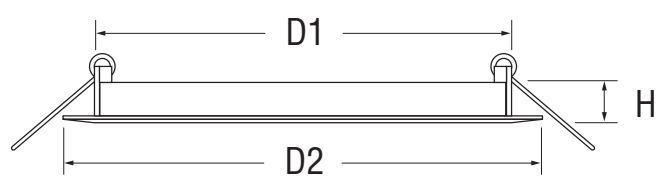
**LV-DL-EX-10-L**  
10Ft extension cord  
**LV-DL-EX-30-L**  
30Ft extension cord



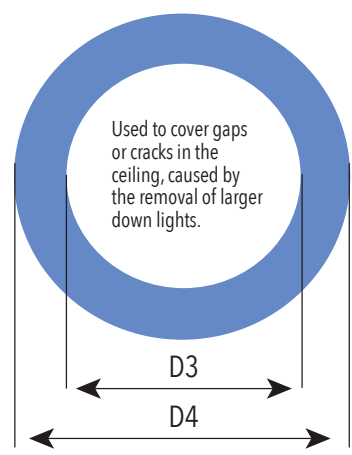
Standard White Trim



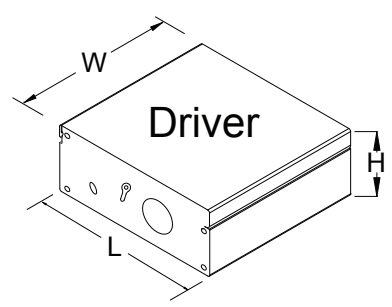
Interchangeable brushed nickel, black and bronze trim rings available (sold separately).



**BEAUTY RINGS**

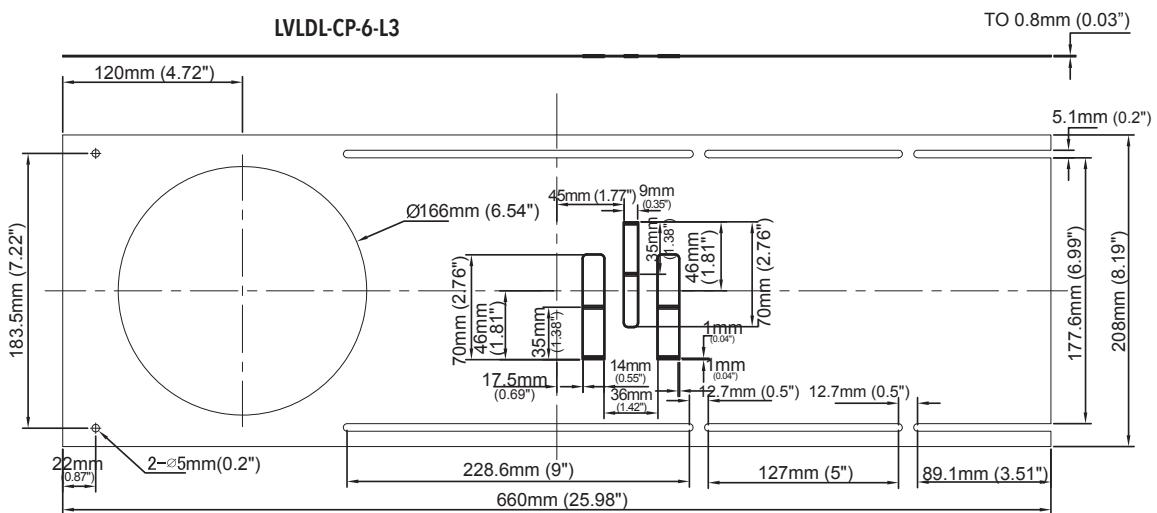
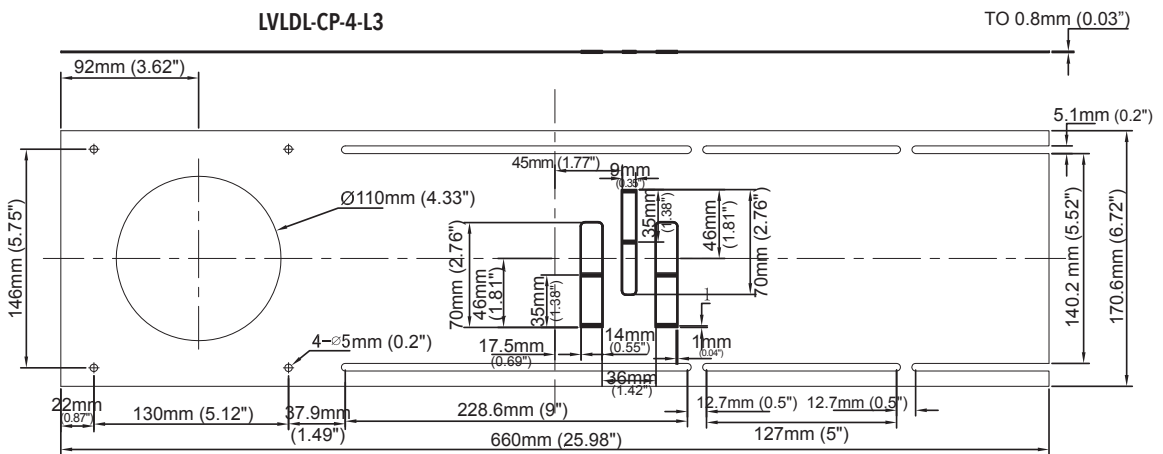
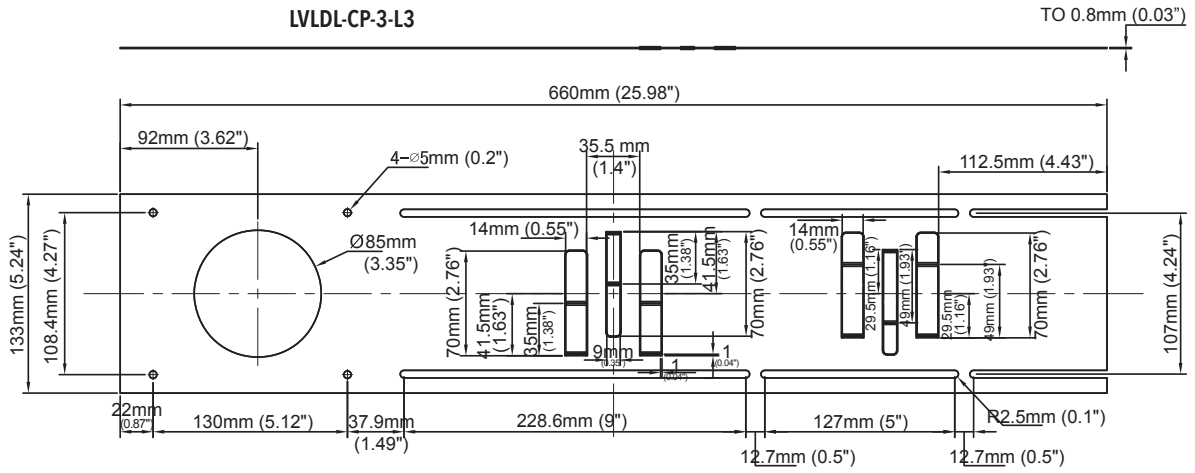


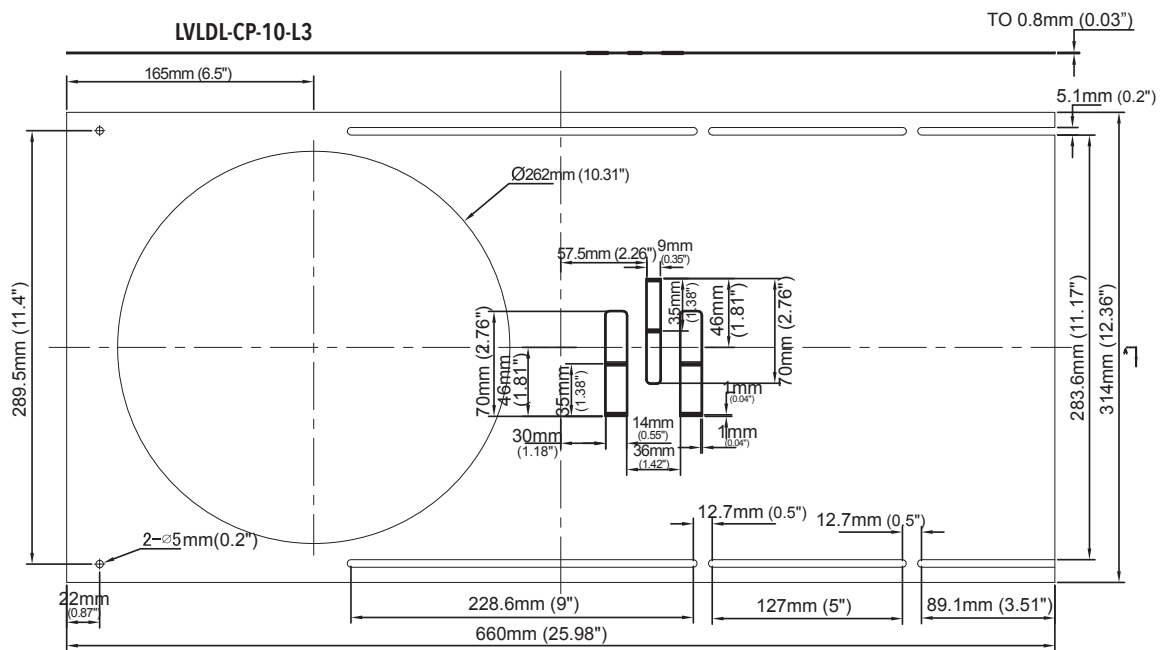
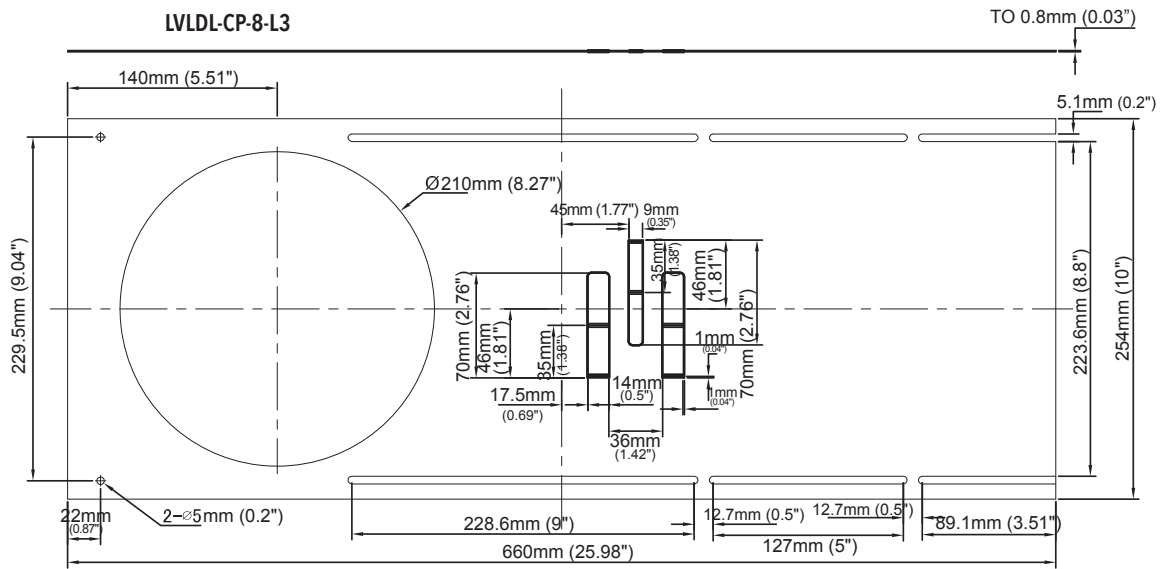
Used to cover gaps or cracks in the ceiling, caused by the removal of larger down lights.



Size	D3	D4
3"	84mm (3.31")	114mm (4.49")
4"	109mm (4.29")	139mm (5.47")
6"	160mm (6.3")	194mm (7.64")
8"	210mm (8.27")	245mm (9.65")
10"	261mm (10.28")	293mm (11.54")

CONSTRUCTION PLATES





# LED Thin-Line Square Down Light GEN III

Designed for remodel and new construction, wet locations listed, Thin Line Down Lights are a versatile and affordable choice for countless applications.



## FEATURES

- Low profile, perfect for shallow ceiling plenums
- No IC can required, for direct contact with insulation and combustible materials
- Two spring loaded clips to attach to any ceiling material
- 120 degrees beam spread
- Edge lit technology eliminates hot spots
- 80+ CRI
- Temperature rating: -20°C-45°C
- 50,000 hours life
- Dimmable with most ELV dimmers
- cETLus listed for wet locations
- White finish
- Interchangeable brushed nickel, black and bronze trim rings available (sold separately)

## APPLICATIONS

- Kitchens & Pantries
- Laundry Rooms
- Bathrooms
- Lobbies
- Hallways
- Banquet Halls
- Elevators
- Retail lighting
- Restaurants
- Offices

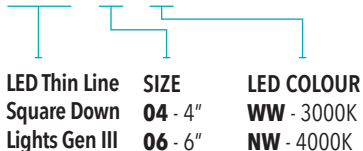
## SPECIFICATIONS

	4 inch	6 inch
Power Consumption (W)	9W	12W
Lumens		
3000K	627	962
4000K	704	1069
Dimming	Yes	
Appearance Size D1 x D2 x H	4.17" x 4.73" x 0.5" (106mm x 120mm x 13mm)	6.14" x 6.73" x 0.5" (156mm x 171mm x 13mm)
Dimensions (J-Box) D1 x D2 x H	3.74" x 3.5" x 1.3" (95mm x 89mm x 33mm)	
Installation Hole Size	4.33" (110mm)	6.3" (160mm)
Colour Rendering Index	80+	
Input Voltage	120V	
Colour Temperature	3000K / 4000K	
LEDs	Epistar	
Power Factor	0.95	

## PRODUCT CODES

### SQUARE

**LVLDL - YYS - XX - WH - R - L3**



**LED Thin Line Square Down Lights Gen III**  
**SIZE** 04 - 4" 06 - 6"  
**LED COLOUR** WW - 3000K NW - 4000K

### SQUARE TRIM RINGS

(Sold Separately)  
 LVLDL - **04S** - TR - **XX** - L3  
 LVLDL - **06S** - TR - **XX** - L3

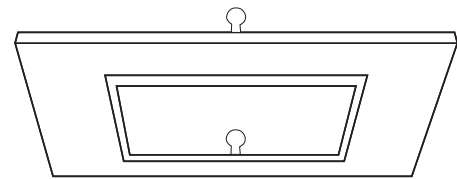
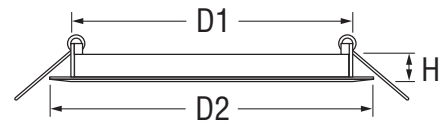
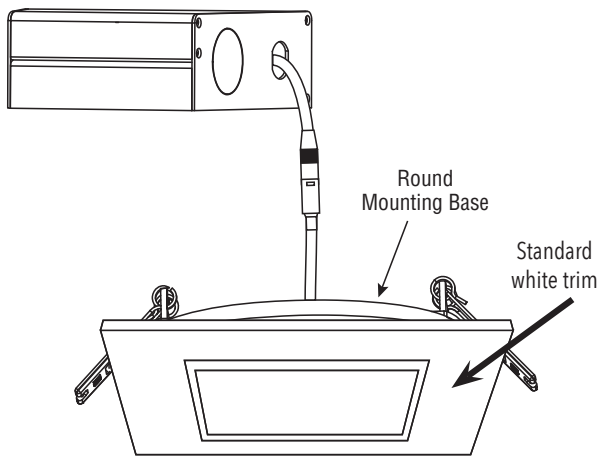
**TRIM RING FINISH**  
**BK** - Black  
**BZ** - Bronze  
**BN** - Brushed Nickel

### STEP-DOWN TRANSFORMERS

**DLT-347**  
 Step-down transformer  
 347/120V AC 25VA  
 (non-dimmable)  
**DLT-60-347**  
 Step-down transformer  
 347/120V AC, 60VA  
 (non-dimmable)  
**DLT-100-347**  
 Step-down transformer  
 347/120V AC, 100VA  
 (non-dimmable)

### EXTENSION CORDS (for remote driver placement)

**LV-DL-EX-10-L**  
 10Ft extension cord  
**LV-DL-EX-30-L**  
 30Ft extension cord



Interchangeable brushed nickel, black and bronze trim rings available (sold separately).

### CONSTRUCTION PLATES

