

# LED Task Star

All of the convenience and light output of traditional task lights with the benefits of dimmable LED technology. There are no remote or internal LED drivers to worry about as the replaceable modules work directly off of line voltage. Simply connect directly to 120 Volt power.



**Save up to 80%**  
in energy consumption with same light  
output as 18 watt xenon!



## FEATURES

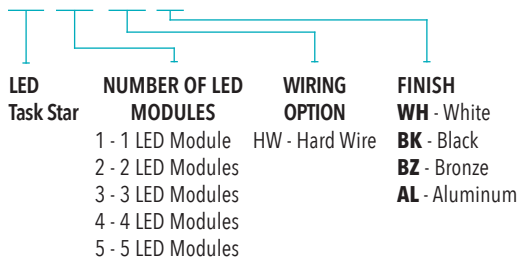
- Dimmable with most ELV dimmers
- Low power consumption - as low as 5.2 watts per module
- Warm White colour temperature (3100K +/- 200)
- 40,000 hour useful lamp life
- Fast and easy installation - push in terminals for hard wire connection
- 120 volt through wiring
- Available in 1, 2, 3, 4 & 5 LED module units
- Secure hinged lens
- Captive mounting screws in lamp compartment
- Available in 4 colours: White, Bronze, Black and Brushed Aluminum
- 3 year limited warranty

## APPLICATIONS

- Under cabinet task light
- Over cabinet accent light
- Display cases and exhibits
- Merchandising
- Indirect accent light
- Wall units and bars
- Office work stations

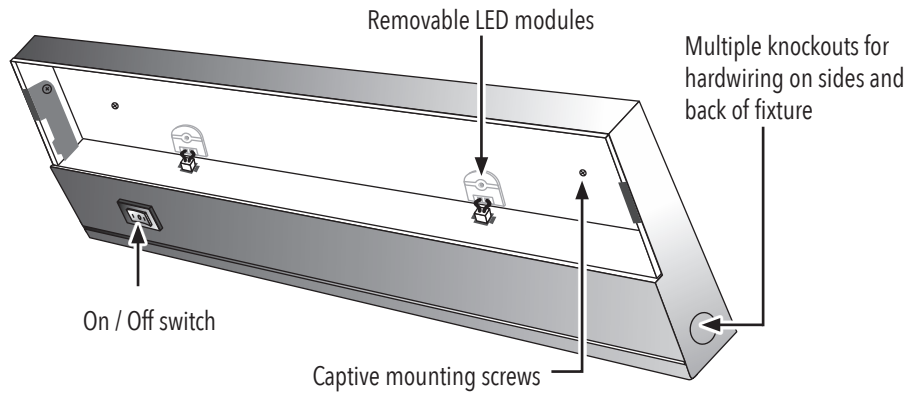
## PRODUCT CODES

### LTS - X - HW/YY

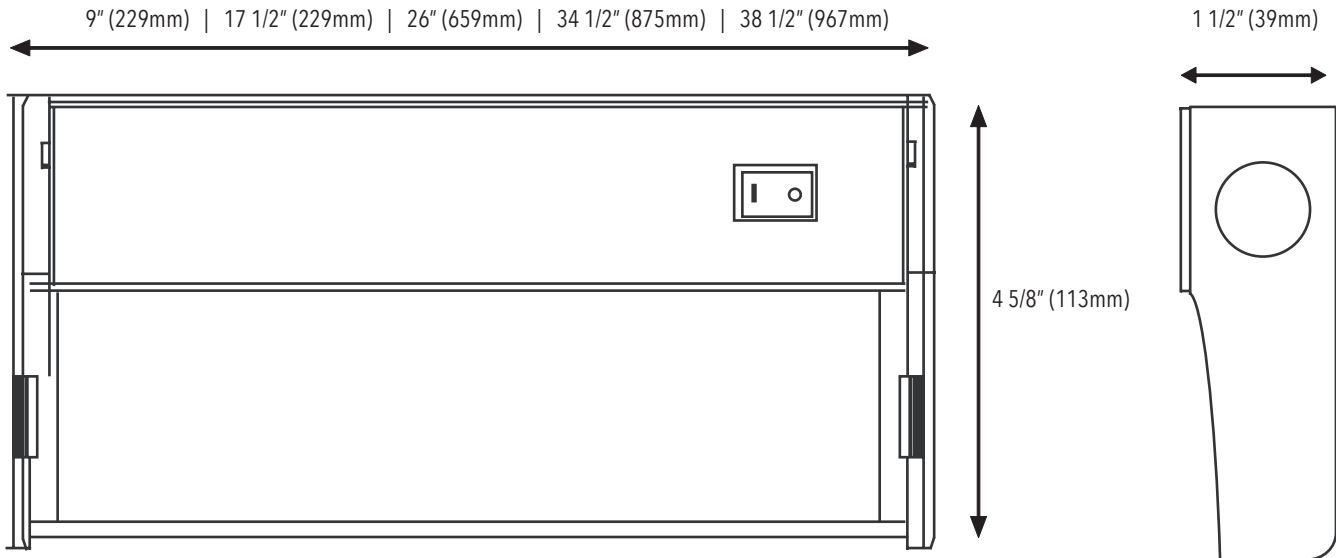


## SPECIFICATIONS

Electrical	Input: AC 120V 5.2 watts per LED module
LED Life	40,000 hours
Number of LED modules per fixture	1 - 5
Lumen Output	175 lumens/module
Colour Temperature	3100K +/-200
CRI	≥ 80
LED Colour	3100K +/-200K
LED Angle	125 degrees
Replacement LED Module	LEDMOD-HVDC
Product Finish	Black & White: Powder Coating Aluminum, Bronze: Anodized
Lens	Frosted Glass
Dimensions (L x W x H)	
1 LED Module Task Star	9" x 4 5/8" x 1 1/2" (229 x 113 x 39mm)
2 LED Module Task Star	17 1/2" x 4 5/8" x 1 1/2" (445 x 113 x 39mm)
3 LED Module Task Star	26" x 4 5/8" x 1 1/2" (659 x 113 x 39mm)
4 LED Module Task Star	34 1/2" x 4 5/8" x 1 1/2" (875 x 113 x 39mm)
5 LED Module Task Star	38 1/2" x 4 5/8" x 1 1/2" (967 x 113 x 39mm)
Approvals	cETLus listed



Available in 1, 2, 3, 4 and 5 module units.



## ACCESSORIES



**LEDMOD-HVDC**  
Warm white LED  
replacement module  
3100K ± 200



**LED-REC-1**  
Rectifier for LTS-1  
**LED-REC-2**  
Rectifier for LTS-2  
**LED-REC-3**  
Rectifier for LTS-3  
**LED-REC-4**  
Rectifier for LTS-4  
**LED-REC-5**  
Rectifier for LTS-5