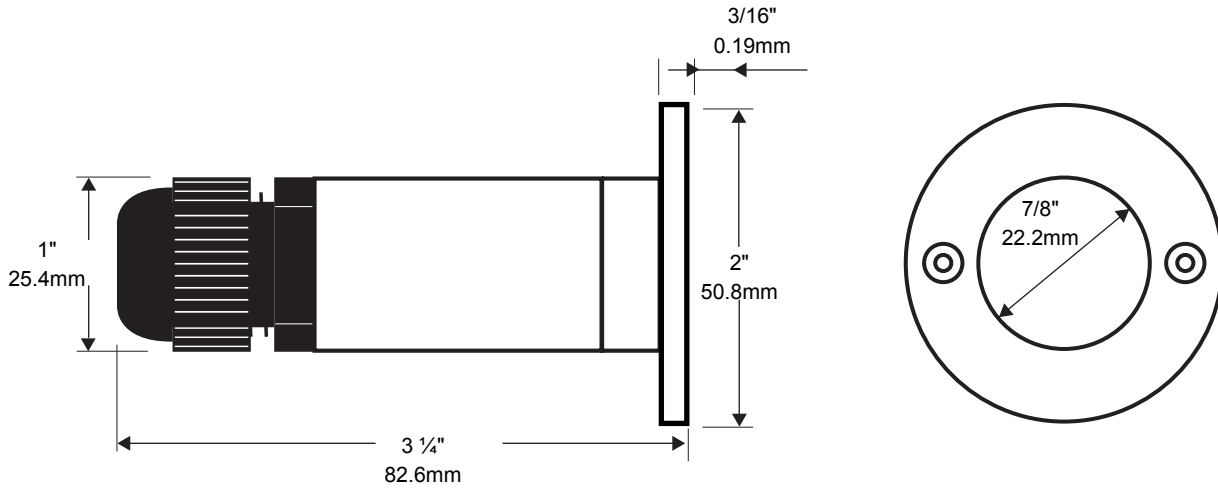


A robust LED marker light ideal for public or residential applications, indoor or outdoor.



YY = AL - Aluminum, BK - Black, BZ - Bronze, WH - White
 XX = WW - Warm White, WH - White, AM - Amber, BL - Blue, GR - Green, RD - Red

Features

- Now dimmable on the primary power supply side with our new dimmable LED Drivers!
- Long life – 50,000 hours
- Low power consumption of 0.24 watts per fixture
- Safe 12 volt, Class 2 power supply (not included)
- Up to 100 fixtures per power supply
- cUL listed for in-wall, IC ceiling, in-floor, outdoor wet, and outdoor burial applications
- Fits in any 1" diameter hole, 3 1/2" long
- 2 year limited warranty

Specifications

Voltage 12V DC	12V DC
LED Module Specifications	12V DC, 20mA, 0.24 Watts
Average LED Life	50,000 hours
LED Colours	White 5400K, Warm White 2900K, Blue, Green, Amber, Red
Cover Finish	Aluminum, White, Bronze, Black
Barrel Finish	Aluminum
Packaging	Individually packaged in corrugated box
Construction	Both cover and barrel are die cast aluminum
Lens	Frosted Tempered Glass
Wiring Options	Each LED Driver can power up to 200 LED MiniDisc Lights by parallel wiring ("daisy chain") between fixtures. NOTE: Use LW-18G-CL2 for all in-wall applications, LW-18G-BUR for all burial applications.
Approval	cETLus listed and labeled for wet, IC, ceiling, wall and direct burial applications

Ordering Code:

LEDMD - -

WW **AL**
WH **BK**
AM **BZ**
BL **WH**
GR
RD

Accessories:

LEDMD-CF

LED MiniDisc concrete form for concrete pour applications
 Fits over most 1/2" (12.7mm) conduit junction boxes.

Drivers:

Dimmable (Indoor/Outdoor)

MLDRE-20-12-DM
 Max. recommended load
 18W or 75 LEDMD
 Min. recommended load
 8W or 34 LEDMD

MLDRE-60-12-DM
 Max. recommended load
 54W or 200 LEDMD
 Min. recommended load
 8W or 34 LEDMD

Non-Dimmable

LEDDR-12-20W-HW
 Indoor driver
 20W hardwire
 Max. 75 MiniDisc Lights

LEDDR-12-60W
 Indoor/Outdoor driver
 60W hardwire
 Max. 200 MiniDisc Lights

Project

Type

Date

Contact

Notes