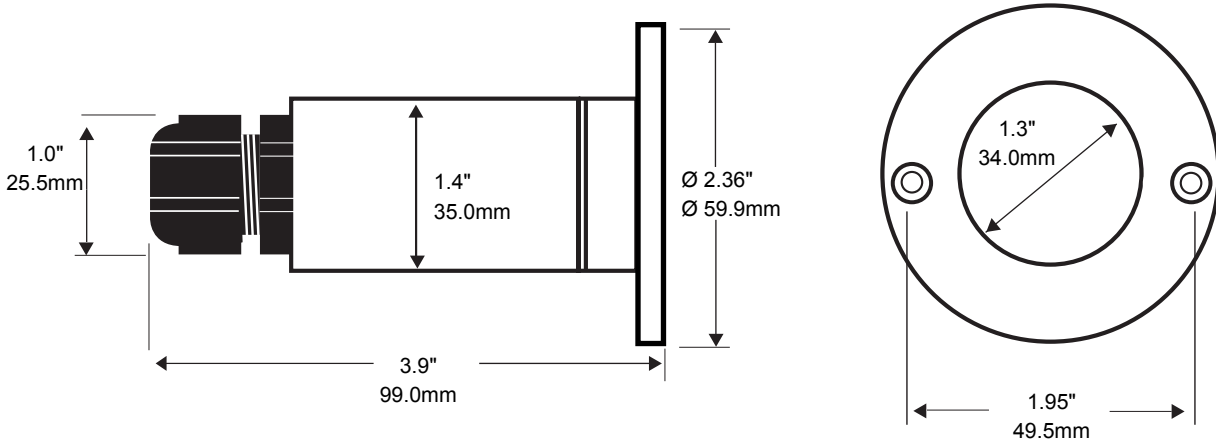


A robust LED marker light ideal for public or residential applications, indoor or outdoor.



Features

- Dimmable with dimmable power supply
- Long life – 50,000 hours
- Low power consumption 3 watts per fixture
- Safe 12 volt, Class 2 power supply (not included)
- Up to 30 fixtures per power supply
- cUL listed for in-wall, IC ceiling, in-floor, outdoor wet, and outdoor burial applications
- Fits in any 1.5" diameter hole, 4" long
- 3 year limited warranty

Specifications

Voltage 12V DC	12V DC
Power Consumption	3 Watts
Average LED Life	50,000 hours
LED Colours	Cool White 98 lumens @ 5400K Warm White 95 lumens @ 2900K
Cover Finish	Stainless Steel
Barrel Finish	Stainless Steel
Packaging	Individually packaged in corrugated box
LED Type	5050
Lens	Frosted or Clear Tempered Glass
Wiring Options	Our largest driver can power up to 18 LED Disc Lights wired parallel or "Daisy chained" together. NOTE: Use LW-18G-CL2 for all in-wall applications, LW-18G-BUR for all burial applications.
Approval	cULus listed and labeled for wet, IC, ceiling, wall and direct burial applications.

Ordering Code:

LEDD - -
 F WH
 C WW

F = Frosted, C = Clear
 WH - White 5500K, WW - Warm White 2700K

Accessories:

LEDD-CF

LED Disc concrete form for concrete pour applications. Fits over most 3/4" conduit junction boxes.

Drivers:

Dimmable (Indoor/Outdoor)

MLDRE-20-12-DM

Max. recommended load
18W or 75 LEDMD
Min. recommended load
8W or 34 LEDMD

MLDRE-60-12-DM

Max. recommended load
54W or 200 LEDMD
Min. recommended load
8W or 34 LEDMD

Non-Dimmable

LEDDR-12-20W-HW

Indoor driver
20W hardwire
Max. 75 MiniDisc Lights

LEDDR-12-60W

Indoor/Outdoor driver
60W hardwire
Max. 200 MiniDisc Lights

Project

Type

Date

Contact

Notes