

LED Disc Light

A robust LED marker light ideal for public or residential applications, indoor or outdoor.



FEATURES

- Fully dimmable with dimmable power supply (sold separately)
- Long life - 50,000 hours
- Low power consumption of 3 watts per fixture
- Safe 12 volt, Class 2 power supply (not included)
- Up to 30 fixtures per power supply
- cETLus listed for in-wall, IC ceiling, in-floor, outdoor wet, and outdoor burial applications
- Fits in any 1.5" diameter hole, 4" long
- No UV, no infrared, no radiated heat
- 3 year limited warranty

APPLICATIONS

- Steps
- Aisles
- Paths
- Driveways
- Direction lighting
- Information lighting
- Decorative lighting
- Merchandising
- Landscape accents

PRODUCT CODES

ROUND

LEDD - Y - XX

LED Disc Light	TEMPERED GLASS	COLOUR OF LED
	F - Frosted	WH - 5500K
	C - Clear	WW - 2700K
		AM - Amber

SQUARE

LEDD - Y - XX - SQ

LED Disc Light	TEMPERED GLASS	COLOUR OF LED
	F - Frosted	WH - 5500K
	C - Clear	WW - 2700K
		AM - Amber

SPECIFICATIONS

Electrical	12V DC, 3.0W
Wiring Options	Fixtures can be parallel wired or "Daisy chained" together with up to 18 fixtures on our largest driver. See adjacent power supply chart for details. NOTE: Use LW-18G-CL2 for all in-wall applications. Use LW-18G-BUR for all burial applications.
LED Specs	5050
LED Life	50,000 hours
Lumen Output and Colour Options	WH 98 lumens @ 5500K WW 95 lumens @ 2700K
CRI	> 80
Cover Finish	Stainless Steel
Barrel Finish	Stainless Steel
Lens	Frosted or Clear Tempered Glass
Approvals	cETLus listed and labeled for wet, IC, ceiling, wall and direct burial applications.

REPLACEMENT LED MODULES

LEDD-MOD-WH

LED Disc Light module, 12V, white LED 5500K

LEDD-MOD-WW

LED Disc Light module, 12V, warm white LED 2700K

INSTALLATION WIRE

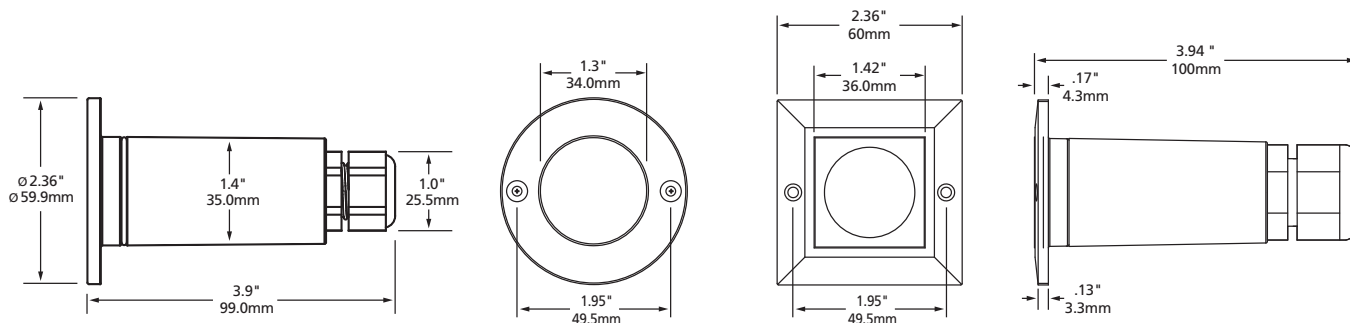
LW-18G-BUR

For outdoor burial connections

LW-18G-CL2

For indoor through wall connections

NOTE: One of the above wires MUST be used in order to maintain product warranty.



ACCESSORIES



LEDD-CF

LED Disc Light concrete form for concrete pour applications. Fits over most 3/4" conduit junction boxes.

LEDD-CF-SQ

LED Disc Light Square concrete form for concrete pour applications. Fits over most 3/4" conduit junction boxes.

INDOOR/OUTDOOR DIMMABLE DRIVERS

MLDRE-20-12-DM

20 Watts

Max. recommended load 18 W or 6 LED Disc Lights

Min. recommended load 8 W or 3 LED Disc Lights

6.77" x 2.67" x 1.26" (171 x 68 x 32mm)

MLDRE-60-12-DM

60 Watts

Max. recommended load 54 W or 18 LED Disc Lights

Min. recommended load 8 W or 3 LED Disc Lights

6.77" x 2.67" x 1.26" (171 x 68 x 32mm)

NON DIMMABLE DRIVERS

LEDDR-12-20W-HW

Indoor driver

20W hardwire

Input: 100 - 240V AC

Output: 12V DC

Max. 6 LED Disc Lights

4 1/8" x 4 1/8" x 1 1/2" (104.8 x 104.8 x 38.1mm)

LEDDR-12-60W

Indoor/Outdoor driver

60W hardwire

Input: 100 - 240V AC

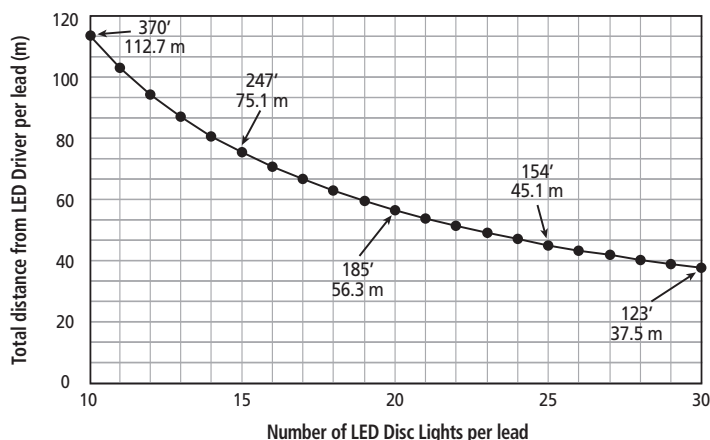
Output: 12V DC

Max. 18 LED Disc Lights

9 11/16" x 2 9/16" x 2 1/16" (246 x 65 x 52mm)

100% LED Light Output Chart

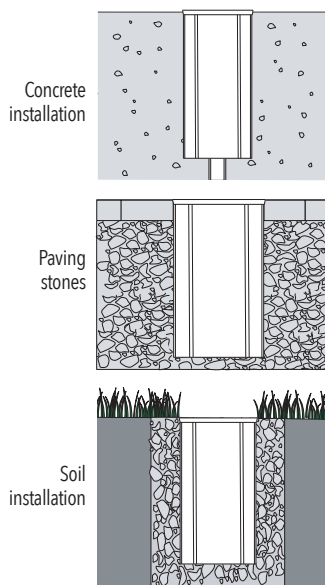
With every foot of lead wire and every light fixture, there is voltage loss. With too much voltage loss all light fixtures will not develop 100% of their potential output. Below is a chart of acceptable voltage loss which will maintain 100% of the potential light output of the LED Disc Light. Simply plot the number of LED Disc Light you wish to place on one lead on the horizontal axis, with the total distance from the LED Driver to the last LED Disc Light on the vertical axis. If the resulting plot is at or below the line shown, you will have acceptable voltage loss and your LED Disc Light will output 100% of their potential.



NOTE: No more than 18 LED Disc Lights per LEDDR-12-60W.

WARNING: LACK OF DRAINAGE WILL VOID THE WARRANTY

To maintain the warranty, a proper drainage system **MUST** be installed (drainage material or drainage pipe), when the product is installed in soil or concrete.



Test drainage prior to installation.

A quantity of water equal to the volume of the mounting hole should drain in 15 minutes or less.

