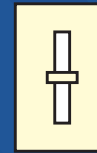


# LED Brick Star Gen II



HIGHER LUMEN OUTPUT  
UPGRADED TO 8 LED CHIP MODULES  
REPLACEABLE LED MODULE KITS AVAILABLE

LED Brick Star provides a safe, attractive and affordable way to light stairs, aisles, paths and entrance ways. LED Brick Star delivers excellent performance at an affordable price. The LED Brick Star has been uniquely designed to the specific size of a standard brick. This provides the perfect solution for those applications where a more linear fixture is required.



## Features

- ✓ 40,000-hour LED life
- ✓ Ultra low 5.2 watt energy usage per fixture
- ✓ CRI 80+
- ✓ Lumen output: 468LM
- ✓ 120VAC power input
- ✓ Up to 150 LED Brick Star lights per 120VAC tap
- ✓ Die cast aluminum can and cover
- ✓ Available in fluorocarbon can with stainless steel louvre cover
- ✓ Fits into any standard brick, or in any void sized 73/4" x 21/2" x 31/4" (196.6mm x 63.5mm x 82.6mm)
- ✓ cETLus listed for indoor and outdoor applications including wet, IC, concrete pour, ceiling and shower locations
- ✓ Dimmable with most forward phase TRIAC dimming systems
- ✓ 3 year limited warranty

## Applications

- Brick walls
- Exterior steps
- Interior steps
- Aisles
- Halls
- Paths
- Patio lighting
- Entry lighting
- Ceilings
- Showers

## Finish

- White
- Black
- Bronze
- Aluminum
- Stainless Steel\*

*\*Stainless Steel finish only available in Louvre cover*



# LED Brick Star Gen II

120V AC LED dimmable technology in a brick-size die cast aluminum fixture, in 3 different cover designs.

## Finish

Available in White, Black, Bronze, Aluminum or Stainless Steel\*  
\*Stainless Steel finish only available in Louvre cover

## Electrical

120VAC power input. Ultra low 5.2 watt energy per fixture.

## Lamping

3000K +/-200K. Rated for 40,000 hrs. 80+ CRI.

## Certification

cETLus listed for indoor and outdoor applications including wet, IC, concrete pour, ceiling and shower locations.

## Warranty

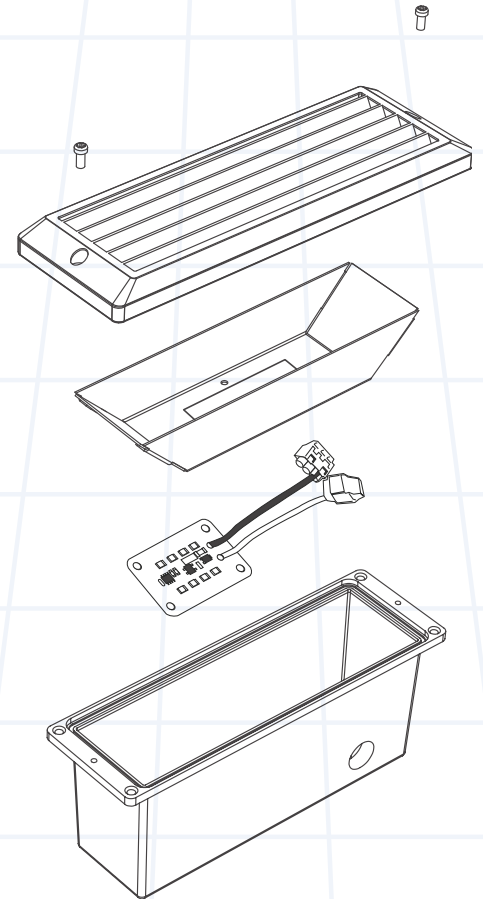
**Limited warranty:** This fixture is free from defects in materials and workmanship for a period of 3 years from date of purchase.

## Specifications

	LED Brick Star - Gen II
Product Code	LEDBS-II-WH-X-YY
LED Colour	White (3000K +/-200)
Input Voltage	120V AC
Power Consumption (W)	5.2 Watts
Lumen Output	468LM
Can Finish	Powder Coated White or Fluorocarbon Lacquer (Stainless Steel)
Colour Rendering Index	80+
Life Span (hours)	40,000
Lens	Frosted Tempered Glass
Wiring Options	Can be daisy chained up to 150 fixtures
Approvals	cETLus listed for wet and IC locations

† X = Cover option: L (Louvre); P (Prism); S (Scoop)

\* YY = Finish colour: WH (White); BK (Black); AL (Aluminum); BZ (Bronze); SS (Stainless Steel - available for Louvre option only)



**NOTE:** for concrete installations, please use the concrete cap BL-CC

