

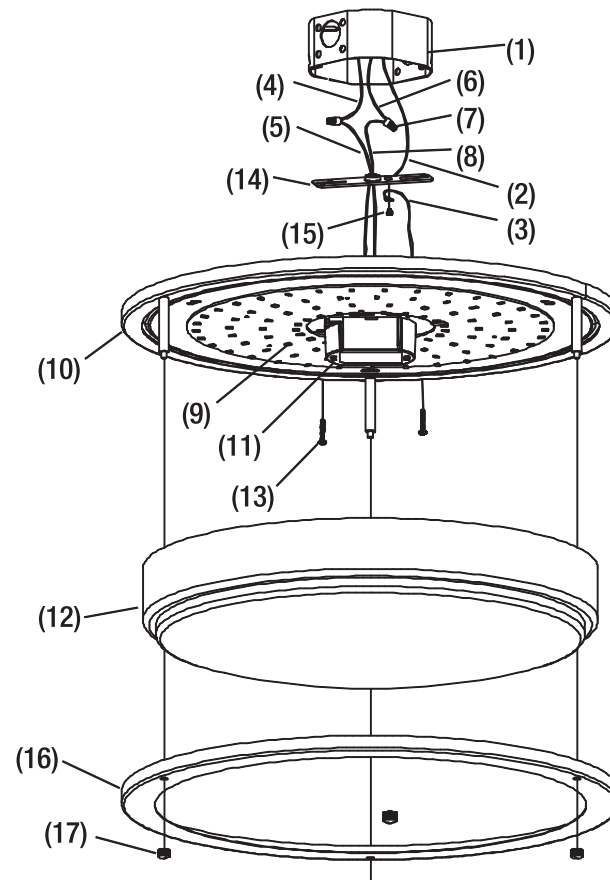
## WIRING AND MOUNTING INSTRUCTIONS

**CAUTION!** Only qualified electricians or people familiar with household electrical circuits should bring 120VAC power to the fixture. Wiring may require an inspection by local authorities building department. Check with your local building department before installation.

**CAUTION!** Before bringing 120VAC power to the fixture, make sure incoming wire is not “hot” and all power coming to the wire is off.

**CAUTION!** All connections must be made in accordance with this instruction manual, current NEC / CEC and all local building codes. Minimum 90C supply conductors.

1. The Ceiling Light fixture mounts to a standard octagonal junction box with mounting screws provided.
2. Remove the fixture's top ring and diffuser.
3. Strip 1/3" (8mm) of the insulation off each incoming 120VAC power wire. Connect white incoming 120VAC wire (neutral wire) to the white wire from the fixture and secure with wire nut provided. Connect black incoming 120VAC wire to the black wire from the fixture and secure with the wire nut provided. The electrical box you are mounting to should have ground connection to it. Thread all wires firmly down into wire nuts, so that uninsulated wire is not exposed.
4. Mount fixture to the junction box using the mounting bracket and the screws provided.
5. Replace the diffuser and secure the top ring with the mounting screws.



1. Junction Box
2. Junction Box Ground Wire
3. Fixture Ground Wire
4. Junction Box White Wire
5. White Fixture Wire
6. Junction Box Black Wire
7. Wire Connector
8. Black Fixture Wire
9. LED Circuit Board
10. Fixture Housing
11. LED Driver
12. Diffuser
13. Fixture Screws
14. Mounting Bracket
15. Ground Screw
16. Top Ring
17. Top Ring Screws

## CEILING LIGHT DIMMING

The Ceiling Light is dimmable to about 10% with most standard dimmers.

## WARNING AND CAUTIONS

**Caution / Warning! To reduce the risk of fire, electric shock or injury to persons:**

1. Disconnect from all 120VAC power prior to installation.
2. Connections must be made in accordance with all local electrical codes and or NEC/CEC.
3. Minimum 90C supply conductors.
4. For maximum load with dimmer, consult dimmer instructions.
5. 14 gauge (Romex Type) or better wire is required to feed electrical box (supplied by others)
6. Install in accordance to manufacturer's instructions, current local codes and or the current Canadian Electrical Code or National Electrical Code. THIS PRODUCT MUST BE INSTALLED IN ACCORDANCE WITH THE APPLICABLE INSTALLATION CODE BY A PERSON FAMILIAR WITH THE CONSTRUCTION AND OPERATION OF THE PRODUCT AND THE HAZARDS INVOLVED.

## SPECIFICATIONS

Electrical Rating:

Input Voltage: 120VAC  $\pm$  10%

Power Consumption: 25W

Colour Temperature: 3000K

CRI: 80

LED Luminous flux: 1875 lumens

LED Life: 50,000 hours to 70% lumen output

Approvals Listing:  

INSTALLATION AND  
SAFETY INSTRUCTIONS

# CEILING LIGHT



The Ceiling Lights will replace any existing traditional indoor ceiling fixtures, providing designer quality light solutions, while creating tremendous energy savings.

 **MAGIC LITE**  
YOUR TRUSTED LIGHTING PARTNER  
[www.magiclite.com](http://www.magiclite.com)

 **MAGIC LITE**  
YOUR TRUSTED LIGHTING PARTNER

