

LED Task Star PRO

LTSPRO is constructed with aluminum housing and a matte polycarbonate diffuser. This sleek fixture features edge lit technology which means no hot spots on the polished marble or granite counter top.



FEATURES

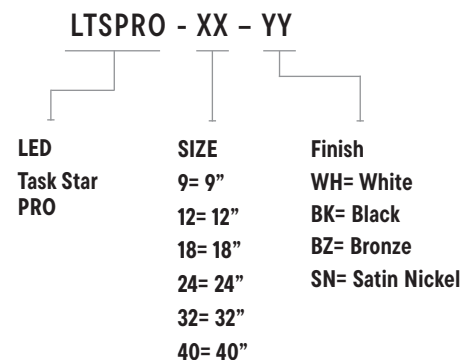
- Long lasting 50,000 hours life
- Comes with High / Low Switch
- Low power consumption
- Edge Lit technology eliminates hot spots
- Fast and easy installation – quick connects, captive mounting holes
- Comes with cord and plug as well as knockouts for hardwire
- 3/8" connector provided
- Shallow profile conceals fixture
- Linkable up to 400 watts. Each fixture ships with 8" jumper cable and end-to-end connector
- cETLus and Energy Star listed
- 3 years limited warranty

APPLICATIONS

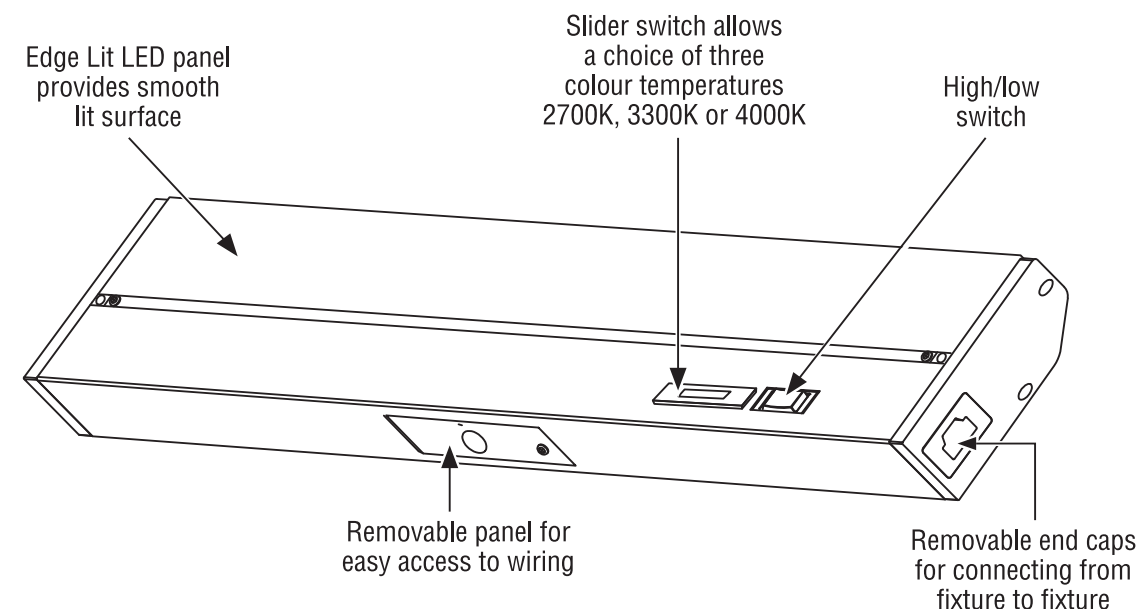
- Under cabinet task light
- Over cabinet accent light
- Display cases and exhibits
- Merchandising
- Indirect accent light
- Wall units and bars

SPECIFICATIONS							
Product Code	LTSPRO- XX-YY	Size 1	Size 2	Size 3	Size 4	Size 5	Size 5
		9	12	18	24	32	40
Electrical	Input Voltage	120V AC					
	Power Consumption	3W	5W	8W	12W	16W	20W
Specs	Colour Temp	2700/3300/4000K					
	CRI	90+					
	Lumens (Output)	200LM	300LM	450LM	700LM	900LM	1000LM
	Dimmable	Yes					
LED	Type	Epistar					
	Life Span	50,000 Hours					
Design	Dimensions (Inches)	9 x 3.5 x 1"	12 x 3.5 x 1"	18 x 3.5 x 1"	24 x 3.5 x 1"	32 x 3.5 x 1"	40 x 3.5 x 1"
	Dimensions (MM)	22.9 x 8.9 x 2.5mm	30.5 x 8.9 x 2.5mm	45.7 x 8.9 x 2.5mm	61 x 8.9 x 2.5mm	81.3 x 8.9 x 2.5mm	101.6 x 8.9 x 2.5mm
	Lens	Matte white polycarbonate					
	Body	Extruded aluminum housing					
	Finish	BK-Black, BZ-Bronze, SN-Satin Nickel, WH-White					
Warranty		3 years limited					
Approvals		cETLus and Energy Star					

PRODUCT CODES



DIAGRAM



ACCESSORIES

LTSPRO-J-12* 12" jumper cable	LTSPRO-PC-72* 72" replacement power cord and plug	LTSPRO-JB Hardwire junction box for LTSPRO fixtures - allows for direct wiring installation, eliminating the visible household wire. Add (-BK) at the end of part number for black finish.	RC-01 3/8" Romex connector
LTSPRO-J-18* 18" jumper cable			
LTSPRO-J-24* 24" jumper cable			
LTSPRO-J-32* 32" jumper cable			

REPLACEMENT PARTS

- | | |
|---|---|
| LTSPRO-SW-BK
CCT Slider Switch Cover, Black | LTSPRO-SW-WH
CCT Slider Switch Cover, White |
|---|---|