

LED Edgelit Puck Lights

The Edge Lit Puck Lights are sleek and powerful surface mount lighting fixtures, combining the easy installation with high performance LED's. Featuring strong internal magnets, they can be installed on metal surfaces, without screws or mounting holes.



FEATURES

- 30,000 hours life
- Edgelit design with smooth light output
- Safe 24V low voltage operation
- Operating temperature: -30°C to 40°C
- Durable die-cast aluminum housing suitable for dry location
- Strong magnet and stamped steel plate for surface mounting
- 72 inch pre-installed lead wire
- 3-year limited warranty

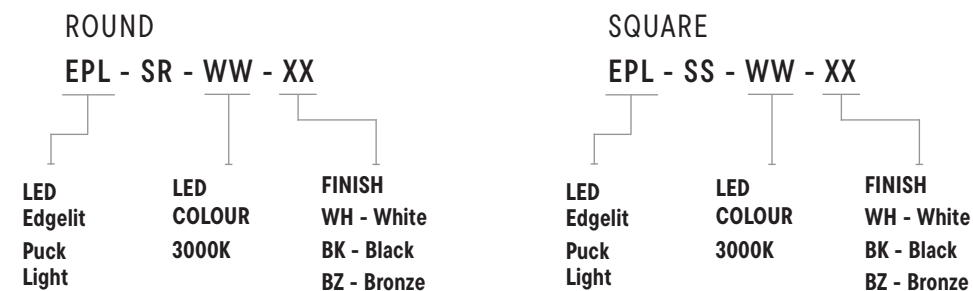
APPLICATIONS

- Under cabinets
- Over cabinets
- Indirect lighting
- Display cases
- Furniture
- Shelf lighting

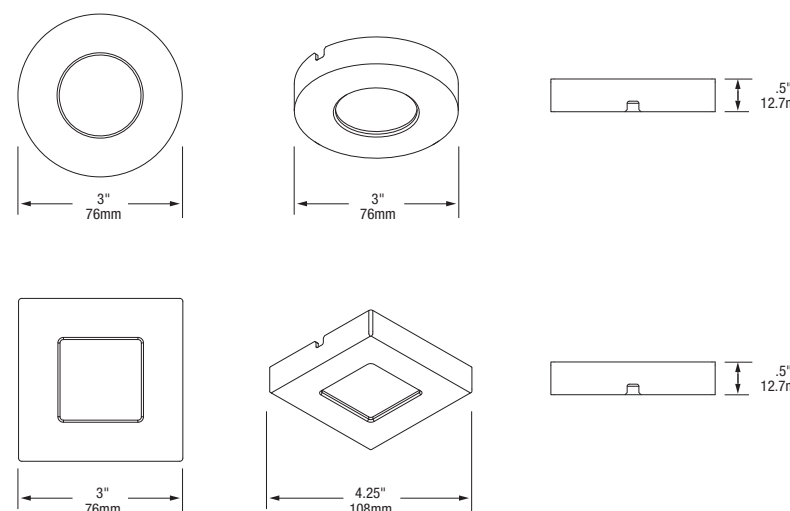
SPECIFICATIONS

Product Code		EPL - SR - WW - XX (ROUND)	EPL - SS - WW - XX (SQUARE)
Electrical	Input Voltage	24V DC	
	Power Consumption	4W	
Specs	Colour Temperature	3000K	
	CRI	90+	
	Lumens	200LM	
	Efficacy (LM/W)	50	
	Dimmable	Yes	
	Beam Angle	24/36/60° (Replacable)	
LED	Type	5630 SMD LEDs	
	Life Span	30,000 Hours	
Design	Dimensions (Inches)	3 x 0.5"	3 x 0.5"
	Dimensions (Millimeters)	76 x 12.7mm	76 x 12.7mm
	Finish	White, Black, Bronze	
	Material	Die-cast aluminum	
	Operating Temperature	-20 to 40°C	
	Approved Location	Indoor	
	Mounting	Surface mount	
Warranty	3 years		
Approvals	cETLus		

PRODUCT CODE



DIAGRAM



ACCESSORIES



LMSII-001

Terminal block and junction box for connection to additional lengths of power cable if needed.

DIMMABLE DRIVERS

MLDRE-40-24-DM

Max recommended load 36W or 9 Edge Lit Puck Lights, min 8W or 2 Edge Lit Puck Lights 6.77" x 2.67" x 1.26" (171 x 68 x 32mm)

MLDRE-96-24-DM

Max recommended load 92W or 23 Edge Lit Puck Lights, min 8W or 2 Edge Lit Puck Lights 6.77" x 2.67" x 1.26" (171 x 68 x 32mm)

NON-DIMMABLE DRIVERS

MLDR-120-24

Indoor/Outdoor driver
Max. recommended load 96W or 24 Edge Lit Puck Lights per single tap, 120W or 30 Edge Lit Puck Lights combined two secondary taps.
120W hardwire
Input: 100 - 240V AC
Output: 24V DC
10" x 3 3/8" x 3 3/16" (254 x 85.7 x 80.9mm)

MLDR-20-24JB

Indoor driver
Max recommended load 16W or 4 Edge Lit Puck Lights
20W hardwire
Input: 100 - 240V AC
Output: 24V DC
4 1/8" x 4 1/8" x 1 1/2" (104.8 x 104.8 x 38.1mm)