

Thank you for purchasing the Magic Lite LED Britestrip Lighting System. This system is a 24 volt system, therefore an LED Driver is required either beside the Britestrip or in a remote location. Refer to the voltage drop table included for wire size depending on voltage, distance and wattage. This system should only be used with the following approved Magic Lite drivers:

Non Dimmable:

MLDR-20-24JB: Festoon .52W modules max 38 / MR11 LED Max 9
 MLDR-120-24: Festoon .52W modules max 158 per single tap, Max 200 total
 2W MR11 Max 40 per single tap, Max 55 total

Dimmable:

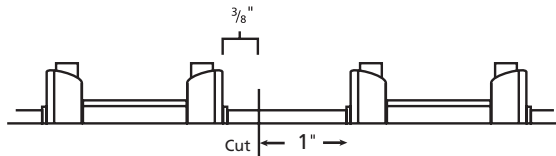
MLDR-20-24-DM Festoon .52W modules Max 34, Min 19
 MLDR-40-24-DM Festoon .52W modules Max 70, Min 38
 MLDR-60-24-DM Festoon .52W modules Max 102, Min 56
 MLDR-100-24-DM Festoon .52W modules Max 158, Min 95

All installations are to be as per CSA and local code requirements. Maximum run is 90 watts.

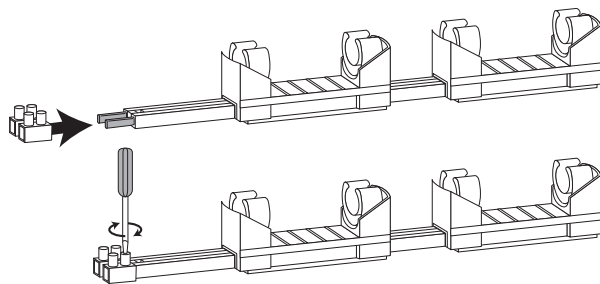
STEPS FOR INSTALLATION

- 1) Shut off power at the lighting panel circuit before starting Steps for Installation.
- 2) Measure length of surface to which the Britestrip will be installed.
- 3) Cut Britestrip between appropriate sockets leaving a minimum of 5 mm from last socket for placement of BS-10 end cap. A minimum of 24 mm is required at the end to be connected to power supply terminal block (BS-9).

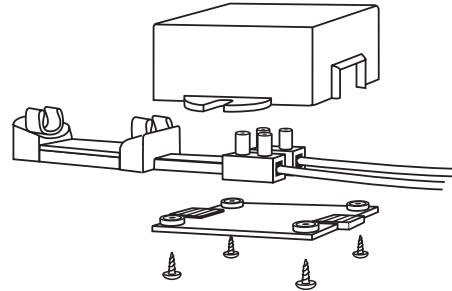
Note. In the case of BST-6.3cm spacing, a socket has to be removed from each end to allow placement of end cap at the end of the run and terminal block for power at the power end of the run. This should only be done by Magic Lite factory personnel.



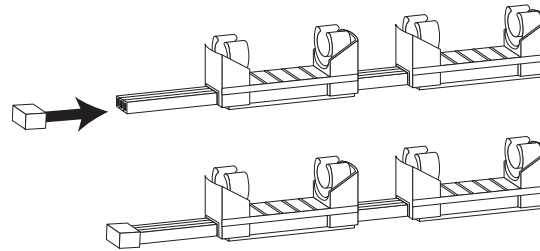
- 4) Remove 10 mm of insulation from Britestrip wire and power feed wire.
- 5) Slide terminal block onto bared wires and screw down terminals ensuring a solid connection. Secure lead wires from power supply to the other side of terminal block. Make sure there are no bare wires exposed at point of connection of wire to terminal block.



- 6) In order to meet Canadian Electrical Code requirements, the BS-9 Terminal block must be enclosed in our BS-11 Junction Box or an approved junction box. To use BS-11 Junction box, proceed with the following steps:
 - A) Assure power is removed from power feed and connector.
 - B) Place LED Britestrip connection assembly into top part of BS-11 Junction Box
 - C) Assure entire BS-9 connection assembly fits into junction box and close with bottom part of BS-11.
 - D) Secure top and bottom together with 4 screws provided.

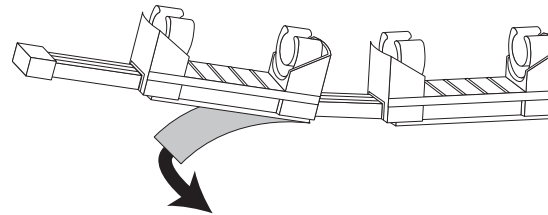


- 7) Push on end cap at opposite end of wire.

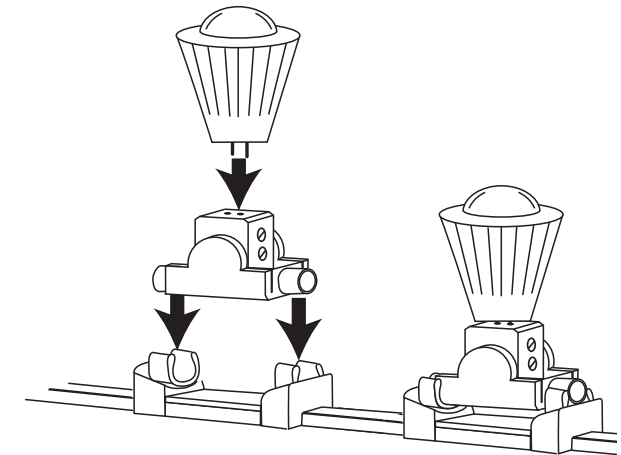


MOUNTING BRITESTRIP

- 8) Important: Clean mounting surface making sure all construction dust is removed. Peel away adhesive backing pre-installed on each socket. Affix Britestrip one socket at a time applying pressure on inside of socket.



- 9) For extra safety, install BS-8 mounting clips every 30cm for surfaces that are porous and will accept nails or screws.
- 10) Attaching LED festoon modules (BS-24E5-WW, BS-24E5-DW). While there are polarity markings on the bottom of the LED Britestrip sockets, the modules themselves are not polar sensitive so they can be mounted directly into the sockets without concern for polarity. LED festoon modules should be snapped into the sockets with the LEDs visible facing outwards from the socket. After installation is complete, some minor adjustments to the orientation of the LEDs may be necessary to shine the light precisely where needed.
- 11) Attaching LED MR-11 modules (BL-2401-WW)
 - A) Loosen upper screws on both sides of the BS-MR11H adaptor.
 - B) Place BL-2401-WW MR11 lamp contacts into holes in adaptor. Polarity does not matter for this lamp.
 - C) Tighten upper screws on both sides of adaptor making sure LED MR11 lamp is firmly in place
 - D) Push the BS-MR11H adaptor into the Britestrip sockets as shown. Polarity does not matter.
 - E) Check bulb clearances of 15cm from any curtain or similar combustible material.
 - F) Note: BL-2401-WW is NOT FOR USE WITH DIMMERS



12) Connecting To Power Supply

- A. Check to make sure each run of Britestrip has a terminal block, end cap and junction box attached.
- B. Use only Magic Lite approved 24V LED Drivers noted previously
- C. Run the appropriate gauge lead wire from the Britestrip to LED Driver. (See table below. A minimum of 12AWG wire is recommended).

IMPORTANT SAFETY INSTRUCTIONS

1. SAVE THESE INSTRUCTIONS.
2. Read all instructions thoroughly before commencing assembly or installation.
3. The installation of these units should be carried out only by a licensed electrician.
4. Certified low voltage Class 2 power supply is required.
5. Not suitable for damp or wet location.
6. For indoor use only.
7. Do not install any fixture assembly closer than 15cm from any curtain or similar combustible material.
8. Turn off electrical power before modifying the lighting system in any way.
9. Before energizing and/or if the system shuts itself off during initial energizing, make sure that the light system is clear of any material which could cause a direct short. Verify all electrical connections are tight.
10. CAUTION: NO CIRCUIT SHALL EXCEED 90 WATTS. MAGIC LITE LTD. WARRANTY OF PRODUCT IS CONDITIONED UPON USE OF MAGIC LITE SUPPLIED cUL CLASS 2 LED DRIVERS AS REQUIRED UNDER THE CANADIAN ELECTRICAL CODE.

Voltage Drop Table - Watts per circuit						
	20	40	60	80	100	
24 VOLT SYSTEM Maximum distance in feet between transformer & fixture						
Wire Size	14 AWG	164	82	55	41	33
	12 AWG	261	131	87	65	52
	10 AWG	416	208	139	104	83
	8 AWG	660	330	220	165	132

Electrical contractor must respect all local codes for wiring from the secondary side of the transformer to the fixture terminal block.

Following is list of approved dimmers for use with our dimmable drivers. Note MR11 modules are not dimmable.

Lutron Ariadni Dimmer			
AYLV-603P	AYLV-603P-CSA	AYLV-603P-S	AYLV-600P
AYLV-600P-CSA	AYLV-600P-S		
Lutron Vareo Dimmer			
V-1000	V-600	V-1000-S	V-600-S
VETN-1000	VETS-1000	VETS-1000-CSA	VETN-1000-S
VETS-1000-S	VETS-R	VETS-R-S	VETS-1000-SL
VETS-1000-SL-S	VETS-A-SL	VETS-A-SL-S	
Lutron Nova Dimmer			
NTLV-1000	NTLV-1500	NTLV-600	NTLV-1500-S
NTLV-600-S	NTLV-1000-S	NTLV-1503P	NTLV-2003P
NTLV-1003P	NTLV-603P	NTLV-1503P-CSA	NTLV-1003P-CSA
NTLV-603P-CSA	NTLV-1503P-S	NTLV-2003P-S	NTLV-1003P-S
NTLV-603P-S	NT-3PS	NT-3PS-CSA	NT-3PS-S
NT-4PS	NT-4PS-CSA	NT-4PS-S	NT-1PS
NT-1PS-CSA	NT-1PS-S		
Lutron Ceana Dimmer			
CNLV-603P	CNLV-600P		
Lutron Diva Dimmer			
DVLV-103P	DVLV-603P	DVSCLV-103P	DVSCLV-603P
DVLV-103P-CSA	DVLV-603P-CSA	DVLV-103P-S	DVLV-603P-S
DVLV-103PH-S	DVLV-603PH-S	DVSCLV-103P-L	DVSCLV-603P-L
DVLV-600P	DVLV-10P	DVSCLV-10P	DVSCLV-600P
DVLV-10P-CSA	DVLV-10P-S	DVLV-10PH-S	DVSCLV-10P-L
SC-3PS	SC-3PS	SC-4PS	SC-4PS
SC-1PS	SC-1PS	SC-3PSNLT	SC-4PSNLT
SC-1PSNLT			
Lutron Glyder Dimmer			
GLV-600	GLV-600-CSA		
Lutron Lyneo Dimmer			
LXLV-103PL	LXLV-603PL	LXLV-10PL	LXLV-600PL
Lutron Nova T Dimmer			
NTLV-1500	NTLV-1000	NTLV-1000-277	NTLV-600
NTLV-600-277			
Lutron Skylark Dimmer			
SLV-603P	SLV-603P-CSA	SLV-603PH-CSA	SLV-600P
SLV-600P-CSA	SLV-600PH-CSA		
Leviton Illumatech Dimmer			
IPM06-1LZ	IPM06-1LX	IPM10-1LZ	
Leviton Mural Dimmer			
MDM06-1LI	MDM06-1LW	MDM06-1LA	MDM10-1LI
MDM10-1LW	MDM10-1LA		
Leviton SureSlide Dimmer			
6613-PLT	6613-PLI	6613-PLW	6613-PLA
Leviton ToggleTouch Dimmer			
TGM10-1LI	TGM10-1LI	TGM10-1LA	TGM10-1LT
Leviton Vizia Dimmer			
VPM06-1LZ			

INSTALLATION INSTRUCTIONS

LED BRITESTRIP

FOR USE WITH LED LAMPS ONLY

LED efficiency in a festoon bulb or MR-11 flexible linear lighting strip

