



# Tokistar

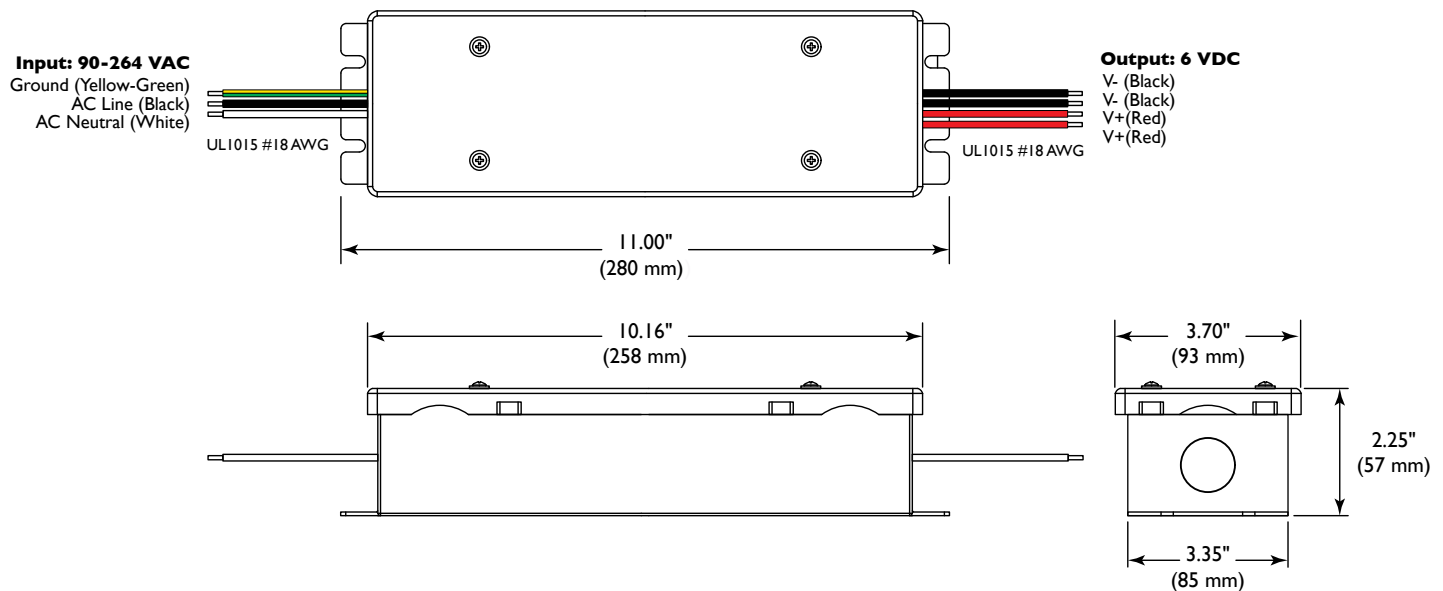
## LED Driver Specifications

# LDR6-60

## LED Driver

Tokistar's LDR6-60 is a 60 Watt Class 2 LED Driver with dual 6 VDC/30 Watt outputs. The design allows for all DC and AC wiring to be done inside the unit, without the need for external junction boxes. The enclosure is rated Nema 3/IP 65 and suitable for wet locations.

Input range is 90-264 VAC/47-63 Hz, and the output may be adjusted +40% / -5%. Tokistar offers a wide range of dimming options which are installed on the secondary outputs. The primary input is not to be dimmed.



### Specifications

Input Range: 90-264 VAC  
Frequency Range: 47-63 Hz  
Output: 6 VDC (Adjustable +40% / -5%)  
Max. Output Current: 10.0A (2 @ 5.0A)  
Max. Output Power: 60W (2 @ 30W)

### Mechanical Specifications

Dimensions: 11" x 3.7" x 2.25"  
Weight: 3.4 lbs./1.55 kg.  
Enclosure Rating: NEMA 3/IP 65  
Mounting: Flange Mount  
Connection: Knockouts for 1/2" Conduit

Tokistar Lighting is ETL Listed when operated with our Class 2 LED Drivers.



**TOKISTAR® LIGHTING INC.**

1015 E. Discovery Lane • Anaheim, CA 92801

Tel: 714.772.7005 • Fax: 714.772.7014 • Toll free in USA: 877.340.7633  
Email: info@tokistar.com • Website: www.tokistar.com



# Tokistar

## LED Driver Specifications

# LDR6-60

## LED Driver

### Input Specification

Voltage Range	Frequency Range	Max In rush Current	Power Factor	THD
90-264 VAC (100-240 VAC Nominal)	47-63 Hz	30A@230 VAC input, 25°C, cold start-up	0.9 min	<25% @ Full Load

### Output Specification

<b>Max Power</b>	60 W	<b>Transient Response</b>	4 mS, full load to half load, 100 VAC Input
<b>Load Regulation</b>	+/- 1% Max	<b>Short Circuit Protection</b>	Hiccup-Mode, Auto-Recovery upon removal of short circuit condition.
<b>Efficiency</b>	80% typ.	<b>Constant Voltage (CV) Mode Load Regulation</b>	+/- 3% Max (Voltage Setting Adjustable via on-board pot: +40%/-5%)
<b>Noise/Ripple</b>	1.5% of Rated Output Voltage*	<b>Constant-Current (CC) Mode Regulation</b>	+/- 2% Max (Current Setting Adjustable via on-board pot: +5%/-90%)
<b>Start-up Time</b>	2 sec. Typical	<b>Over Voltage Protection</b>	132% Max
<b>Hold-up Time</b>	16mS @ full load, 100VAC input	<b>Over Current Protection</b>	Constant-current limiting

\*All noise measurements made at output terminals, connected to a 20MHz low pass filter.

### Environmental Specification

MTBF	Cooling	Operating Temp	Storage Temp	Relative Humidity
55,000 hours (Full load @ 25°C Ambient, Based on MIL-217F)	Convection	-30°C to 60°C (Full load)	-40°C to 85°C	5% - 95 %

### Compliance/Safety

<b>EMI/RFI:</b>	CISPR-22 Class B FCC part 15 Class B EN 55015
<b>Safety Standards:</b>	UL/cUL 1012/1585 UL 1310 Class 2 UL 48 CE
<b>Weatherability:</b>	EN60529 NEMA 3/IP 65

### Dimming Options

Tokistar Dimming Controls	Dimming Control
1. LC-1CH-MULTI	<ul style="list-style-type: none"> <li>• 0/1-10V DC</li> <li>• DMX 512</li> <li>• PWM</li> <li>• Manual Dip Switches</li> </ul>
2. LC-1CH-DP	<ul style="list-style-type: none"> <li>• Tokistar LC-DMR</li> </ul>

### Mechanical

NEMA 3 Design with patented AC and DC Wiring compartments, fully potted PCB.

## TOKISTAR® LIGHTING INC.

1015 E. Discovery Lane • Anaheim, CA 92801

Tel: 714.772.7005 • Fax: 714.772.7014 • Toll free in USA: 877.340.7633  
Email: info@tokistar.com • Website: www.tokistar.com