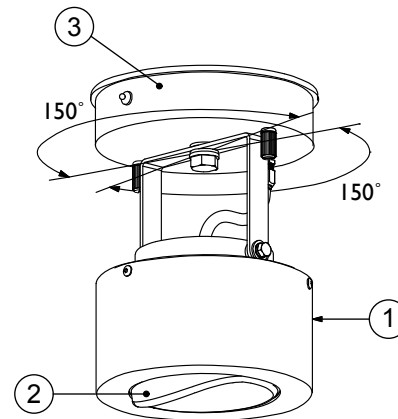
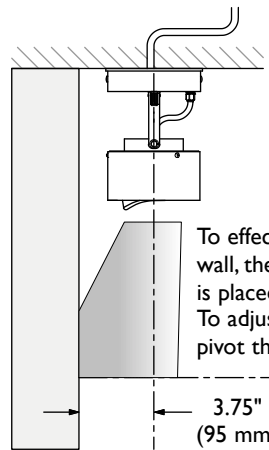
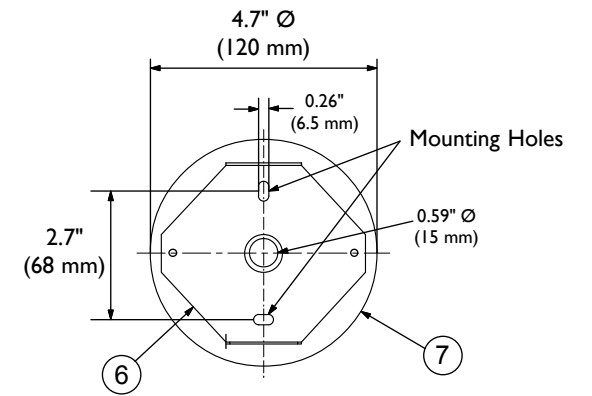


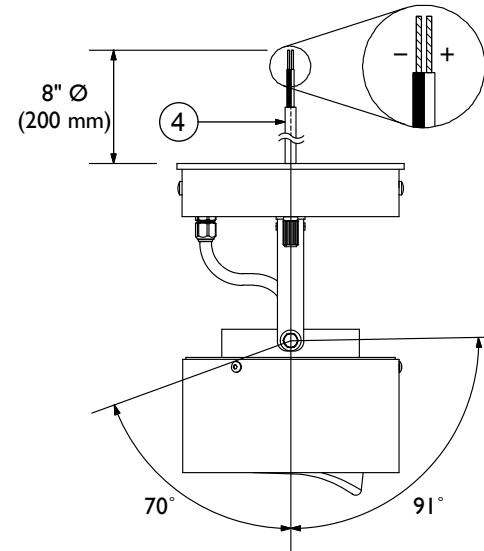
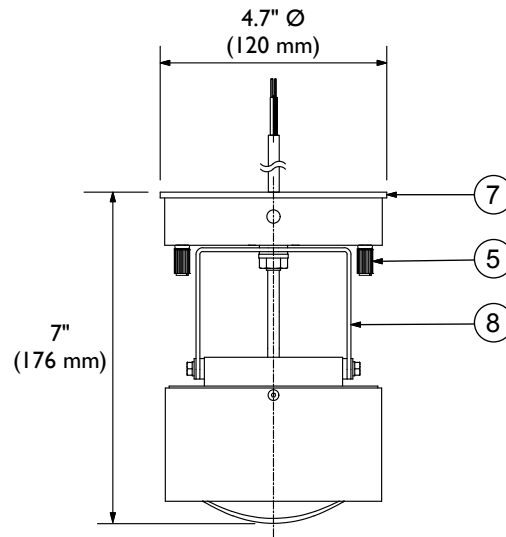
Canopy Facing Up  
is for Dry Location Only.



Rotation



To effectively graze a wall, the center of a fixture is placed in this position. To adjust beam distance pivot the fixture head.



Pivot

Catalog#  
FLN-(3000K, 5000K)-B  
B = Black Fixture

Focal Line Specifications	
Current: 700mA	
Power: 2.1 W Per LED	
CRI Value: 80	
Color	Output
3000K	88 Lm Per LED
5000K	100 Lm Per LED



**TOKISTAR LIGHTING INC.**

1015 E. DISCOVERY LANE  
ANAHEIM, CA 92801  
TEL: 714 772 7005 FAX: 714 772 7014  
email: info@tokistar.com Website: tokistar.com

Focal Line Submittal	No.	Part	Material
Catalog#: FLN-(3000K, 5000K)-03D-B	1	Fixture Head	Aluminum
Date: September 1, 2019	2	Asymmetrical Lens	Hard Glass
Drawn By: R.Cordova	3	Canopy	Aluminum
Scale: 1:4	4	Conductors	PVC insulation #18 AWG x 2
Weight: 1.7 lbs / 770g	5	Knurled Nut	Brass
	6	Mounting Plate	Stainless Steel
	7	Insulation	Rubber
	8	Bracket	Stainless Steel