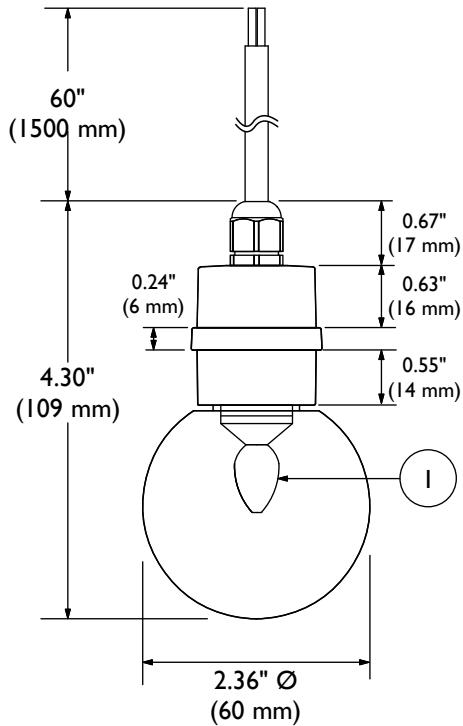
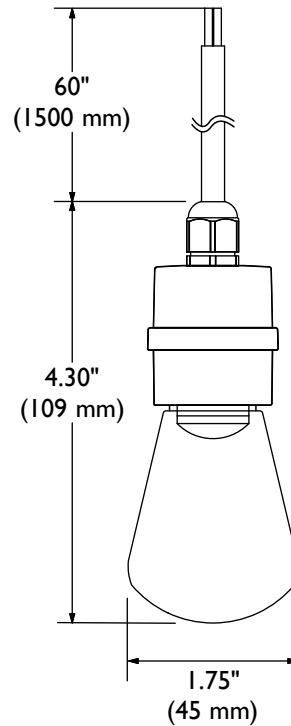


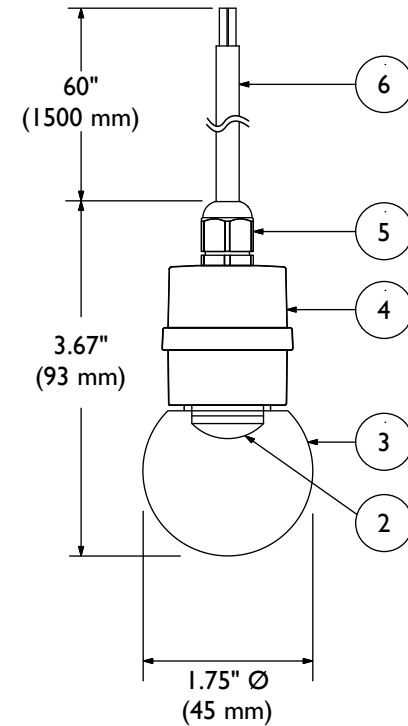
EX Pendant Series - 1.8 Watt LEDs



G-19 Globe



S-14 Globe



G-14 Globe

Catalog Number
EX-PEND-(LED Code)-(G19, S14, G14)

Cable and Socket color are black

1.8 Watt LED 24VAC/75.0mA			
Part#	LED Code	Color	Lumen
EX-VI-LW	VILW	2000K	36Lm
EX-VI-WW	VIWW	2400K	40Lm
EX-VI-IW	VIIW	3000K	44Lm
EX-UB-LW	UBLW	2000K	41Lm
EX-UB-WW	UBWW	2400K	45Lm
EX-UB-IW	UBIW	3000K	50Lm

Virtual Incandescent LED (EX-VI) are not for use with Frosted Globes



TOKISTAR LIGHTING INC.

1015 E. DISCOVERY LANE
 ANAHEIM, CA 92801
 TEL: 714 772 7005 FAX: 714 772 7014
 email: info@tokistar.com Website: tokistar.com

Exhibitor Pendant Series Submittal	No.	Part	Material
Catalog#: EX-PEND-(LED Code)-(G19, S14, G14)	1	EX-VI-LW, EX-VI-WW, EX-VI-IW LEDs	Solid-State LED
Date: February 1, 2020	2	EX-UB-LW, EX-UB-WW, EX-UB-IW LEDs	Solid-State LED
Drawn By: R. Cordova	3	Globe	Polycarbonate
Scale: 1:2	4	Socket	PBT
Weight: 125g/0.28 lb per socket	5	Cable Gland	Nylon
	6	#18 AWG Wire	PVC with Plated Copper Conductor