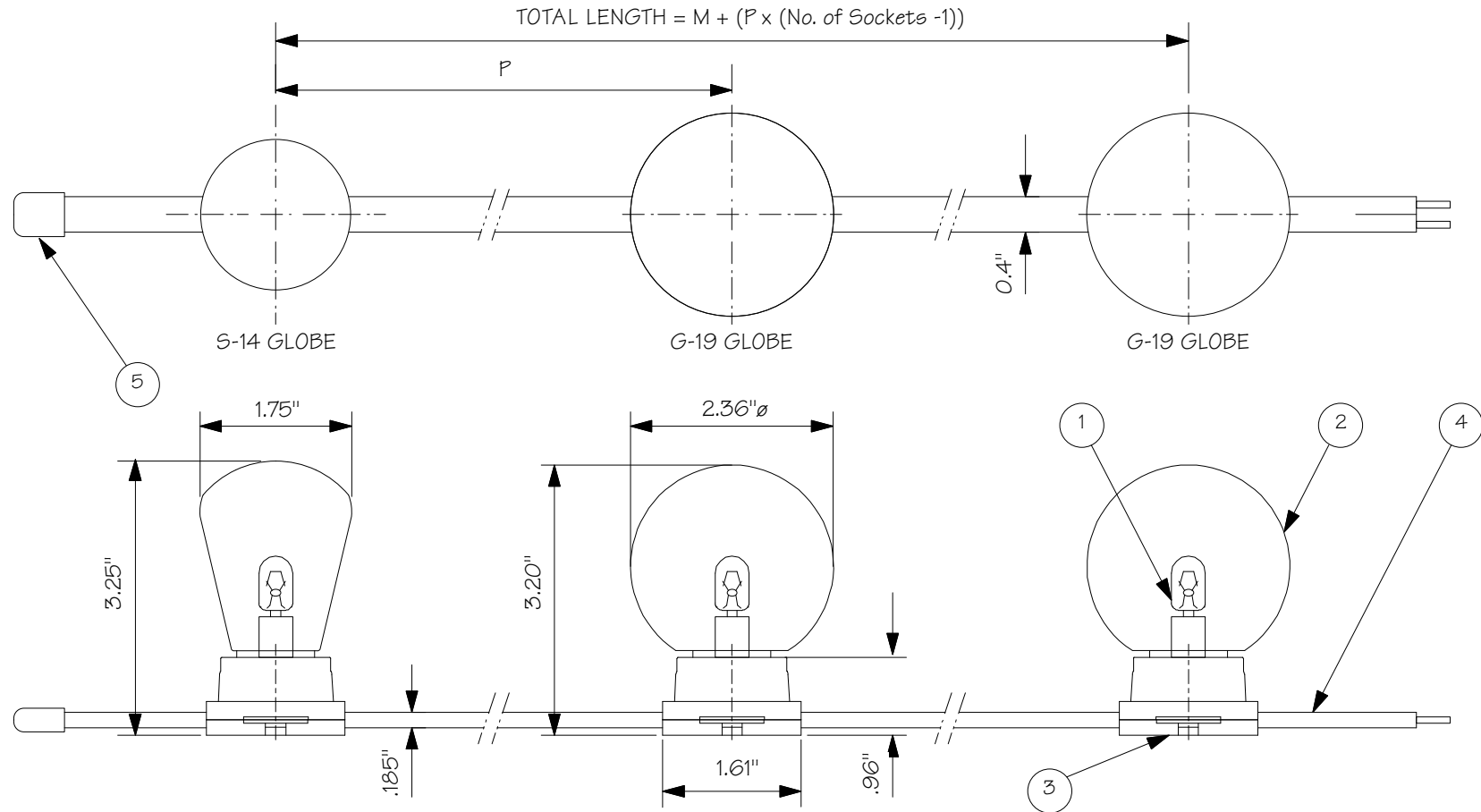


Exhibitor Series-7.5 Watt Xenon Lamp



CATALOG#	P(INCH)	MAXIMUM LENGTH
EX(BK,WH)-6-124-(S14, G19)	$6 \pm .075$	32'
EX(BK,WH)-12-124-(S14, G19)	$12 \pm .075$	56'
EX(BK,WH)-18-124-(S14, G19)	$18 \pm .075$	72'
EX(BK,WH)-24-124-(S14, G19)	$24 \pm .075$	80'

7.5 WATT XENON LAMP 24VAC/313mA			
PART#	LAMP CODE	COLOR	LUMEN
EX-124	124	2500K	65Lm

CABLE COLOR CODE: BK=BLACK, WH=WHITE



TOKISTAR LIGHTING INC.

1015 E. DISCOVERY LANE
ANAHEIM, CA 92801
TEL: 714 772 7005 FAX: 714 772 7014
email: info@tokistar.com Website: tokistar.com

EXHIBITOR SERIES SUBMITTAL

CATALOG#: EX(BK,WH)-(SPACING)-124-(S14, G19)

DATE: JUNE 16, 2014

DRAWN BY: R. CORDOVA

SCALE: 1:2

WEIGHT: 80g/PER SOCKET

NO.	PART	MATERIAL
1	LAMP	XENON-GAS LAMP
2	GLOBE	POLYCARBONATE
3	SOCKET	PBT
4	WIRE	PVC #12 AWG STRANDED AND PLATED WIRE
5	END CAP	PVC