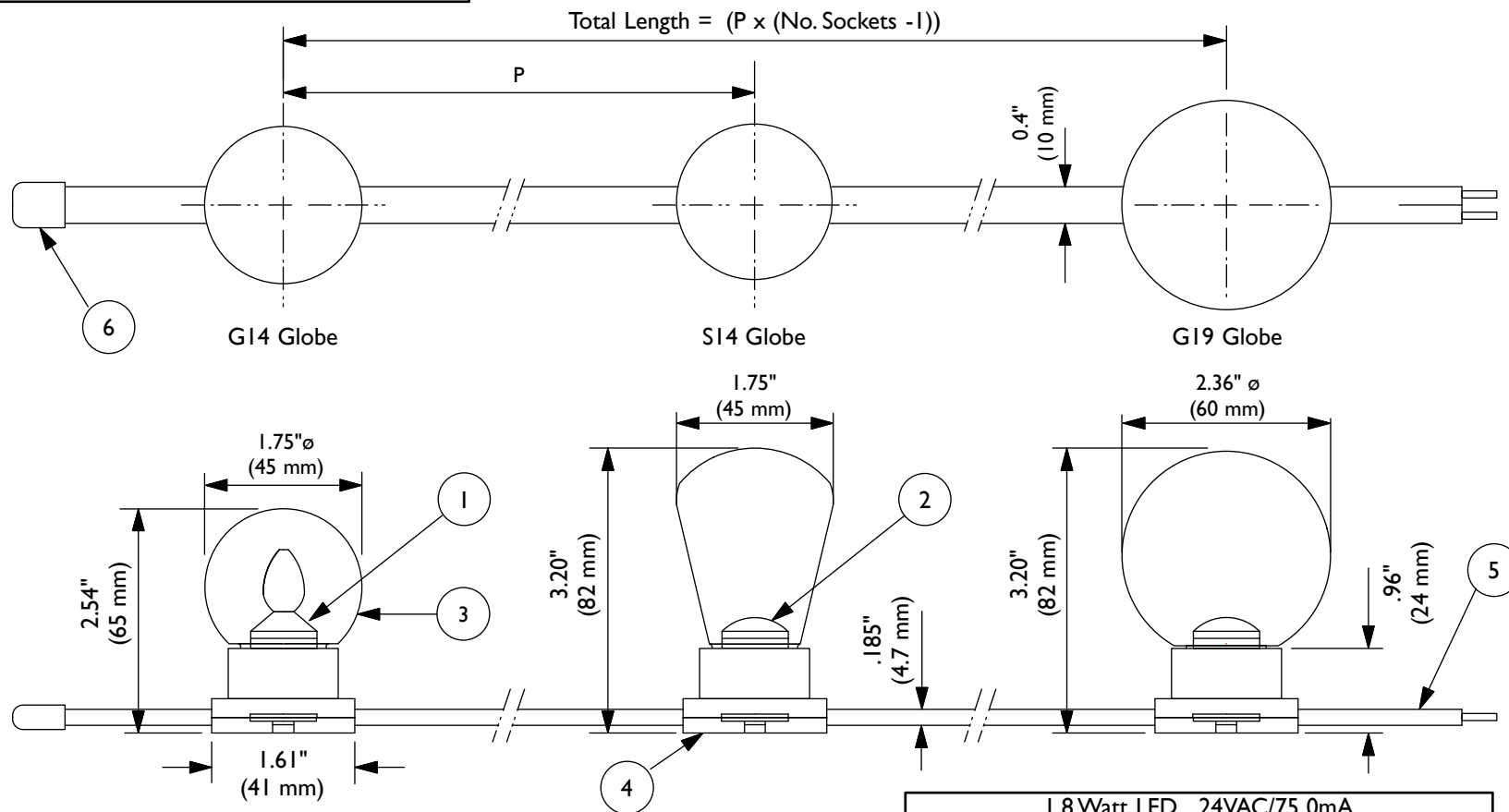


Exhibitor Series - 1.8 Watt LEDs



Catalog#	P(Inch)	Maximum Length
EX(BK,WH)-6-(LED Code)-(G14, S14, G19)	6" ± .075	125' (38 M)
EX(BK,WH)-12-(LED Code)-(G14, S14, G19)	12" ± .075	200' (60 M)
EX(BK,WH)-18-(LED Code)-(G14, S14, G19)	18" ± .075	225' (68 M)
EX(BK,WH)-24-(LED Code)-(G14, S14, G19)	24" ± .075	250' (76 M)

Cable Color Code: BK=Black, WH=White

1.8 Watt LED 24VAC/75.0mA			
Part#	LED Code	Color	Lumen
EX-VI-LW	VILW	2000K	36 Lm
EX-VI-WW	VIWW	2400K	40 Lm
EX-VI-IW	VIIW	3000K	44 Lm
EX-UB-LW	UBLW	2000K	41 Lm
EX-UB-WW	UBWW	2400K	45 Lm
EX-UB-IW	UBIW	3000K	50 Lm

Virtual Incandescent LED (EX-VI) Not Recommended for use with Frosted Globes



TOKISTAR LIGHTING INC.

1015 E. DISCOVERY LANE
ANAHEIM, CA 92801
TEL: 714 772 7005 FAX: 714 772 7014
email: info@tokistar.com Website: tokistar.com

Exhibitor Series Submittal	No.	Part	Material
Catalog#: EX(BK,WH)-(Spacing)-(LED Code)-(G14, S14, G19)	1	EX-VI-LW, EX-VI-WW, EX-VI-IW LEDs	Solid-State LED
Date: April 20, 2020	2	EX-UB-LW, EX-UB-WW, EX-UB-IW LEDs	Solid-State LED
Drawn By: R.Cordova	3	Globe	Polycarbonate
Scale: 1:2	4	Socket	PBT
Weight: 80 g / .18 lb per Socket	5	#12 AWG Wire	PVC with Plated Copper Conductor
	6	End Cap	PVC