

# Brick Star (Gen II)

LED Brick Star enhances stairs, aisles, and paths with attractive, cost-effective lighting, designed to fit standard brick sizes for easy integration and optimal performances,



## FEATURES

- Long-lasting 40,000-hour LED
- Ultra-low energy use: 5.2 watts
- High color accuracy: CRI 80+
- Lens: Frosted tempered glass
- Standard 120VAC input
- Supports up to 150 units per tap
- Durable die-cast aluminum build
- Available in fluorocarbon can with stainless steel louvre cover
- Standard brick size fit
- Compatible with TRIAC dimmers
- 3 years warranty

## APPLICATIONS

- Brick walls
- Exterior steps
- Interior steps
- Aisles
- Halls
- Paths
- Patio lighting
- Entry lighting
- Ceilings
- Showers

## SPECIFICATIONS

SPECIFICATIONS		
<b>Product Code</b>	LEDBS-II-WH-X-YY	
<b>Electrical</b>	Input Voltage	120V AC
	Power Consumption	5.2W
<b>Specs</b>	Colour Temperature	3000K
	CRI	80+
	Lumen Output	468LM
	Efficacy (LM/W)	N/A
	Dimmable	Yes, with TRIAC dimming systems
	Beam Angle	N/A
<b>LED</b>	Life Span	>40,000 Hours
	Dimensions (Inches)	3 x 9"
<b>Design</b>	Dimensions (Millimeters)	76.2 x 226.6mm
	Can Finish	Powder Coated White or Fluorocarbon Lacquer (Stainless Steel)
	Cover Finish	White, Black, Bronze, Aluminum or Stainless Steel finish only available in Louvre cover
	Lens	Frosted tempered glass
	Max Single Run Length	Can be daisy chained up to 150 fixtures per 15A circuit
	Operating Temperature	N/A
	Approved Location	Wet and IC locations, concrete pour, shower
	Mounting	Wall, ceiling
	Warranty	3 years
<b>Approvals</b>	cETLus listed for wall, ceiling, wet and IC locations	

**NOTE:** When installing LED Brick Star in harsh environments (such as limestone, salted areas, coastal environments, etc.) please use the stainless steel version to avoid the risk of corrosion to the body of the fixture.



## PRODUCT CODES

### LEDBS-II-WH-X-YY

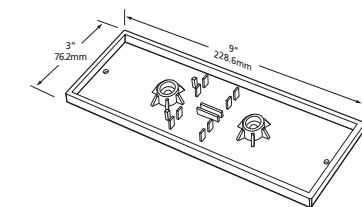
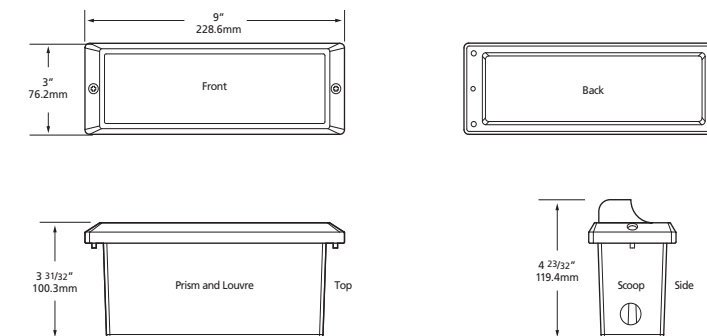
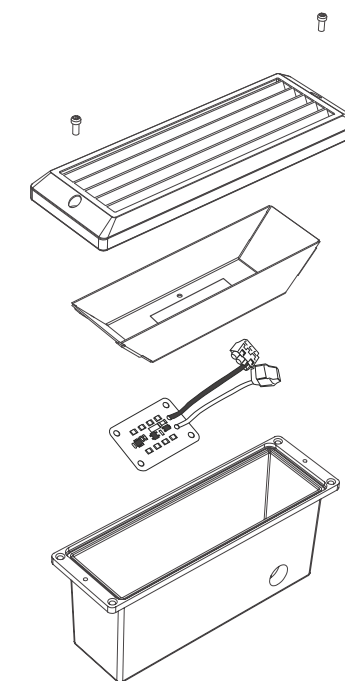
LED Brick Star	COLOUR OF LED	COVER	COVER FINISH
	3000K	P - Prism S - Scoop L - Louvre	WH - White BK - Black BZ - Bronze AL - Aluminum SS - Stainless Steel

### REPLACEMENT KIT LBR-II-KIT

### CONCRETE CAP BL-CC

- NOTE: Stainless Steel finish available in Louvre cover only.
- Concrete cap for concrete pour installations.
- NOTE: For outdoor installations, a 1/2" liquid tight strain relief is recommended.

## DIAGRAM



### Concrete Cap (for concrete pour installations)

- Product Code: **BL-CC**
- **IMPORTANT:** It is recommended that you use Magic Lite / NSL's Concrete Cap for concrete pour installations. These caps assist in providing a proper reveal for flush mount of fixture cover after concrete is dry.