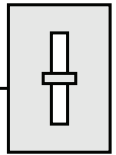




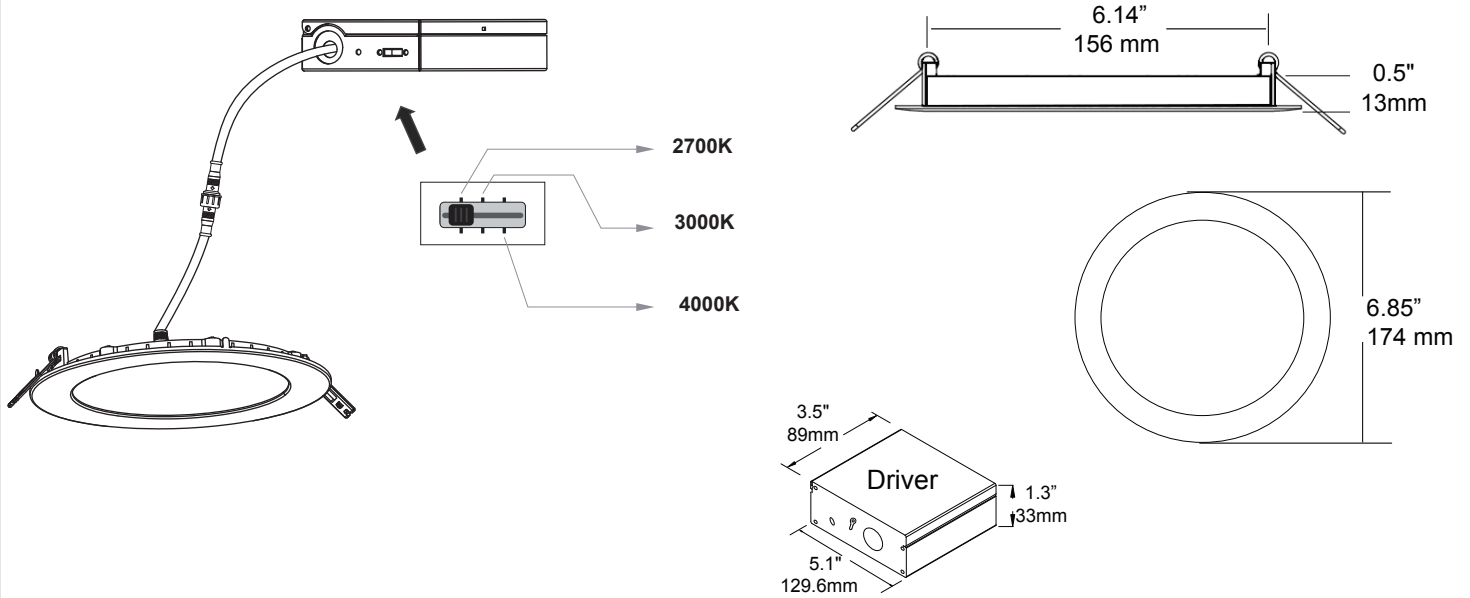
3 Colour Temperature Thin-Line LED Down Light



DIMMABLE



6", 12 watts Thin-line LED Down Light. Designed for remodel and new construction, wet locations listed, Thin Line Downlights are a versatile and affordable choice for countless applications.



Features

- Energy Star rated - up to 80% energy savings
- Dimmable to 5% with most standard dimmers
- 120° beam spread
- Adjustable colour temperature 2700K/3000K/4000K
- Two spring loaded clips to attach to any ceiling material
- White finish (interchangeable brushed nickel, black, bronze trim rings available – sold separately)
- Wet locations listed
- Temperature rating: -20°C-45°C
- No IC can required, for direct contact with insulation and combustible materials
- Connects directly to 120V power supply
- Optional 347V Step-Down Transformer (non-dimmable)
- 50,000 hour life
- 5 year limited warranty
- Airtight
- cETLus and Energy Star listed

Specifications

CCT	2700K/3000K/4000K
Input Voltage	100 - 120 V, 60 Hz
Output Power(W)	12 Watts
No. SMD2835 LEDs	72
Lumen (lm)	840
CRI	80+
Luminous Efficacy (lm/W)	70 lm/w
Approved Location	Wet
Dimmable	Yes
Life Span	> 50,000 hrs
Appearance Size	6.85" W x 0.5" D (174mm W x 13mm D)
Installation Hole Size	6.54" (166mm)

Ordering Code:

LVLDL-06-CCT-WH-R-L3

Project		Type	
Date		Contact	
Notes			



www.magiclite.com

905-825-9592
888-945-5483

905-825-8334

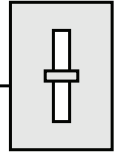
lights@magiclite.com



3 Colour Temperature Thin-Line LED Down Light



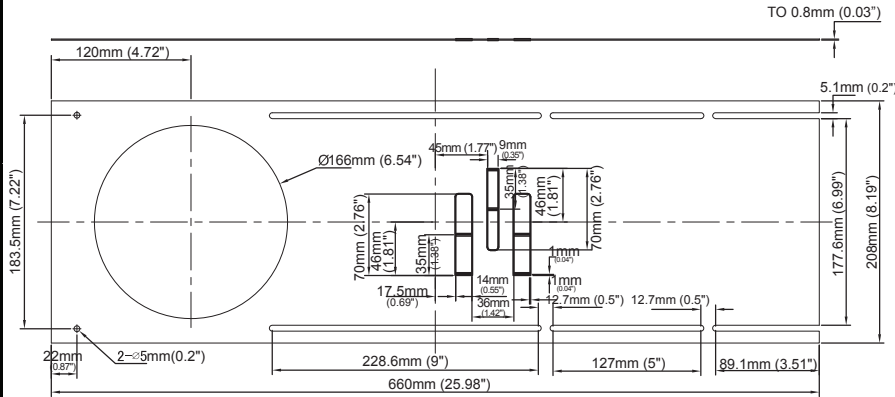
DIMMABLE



6", 12 watts Thin-line LED Down Light. Designed for remodel and new construction, wet locations listed, Thin Line Downlights are a versatile and affordable choice for countless applications.

LVLDL-CP-6-L3

Construction Plate



Note: this item is sold separately.

*Dimensions are in inches

Compatible dimmers

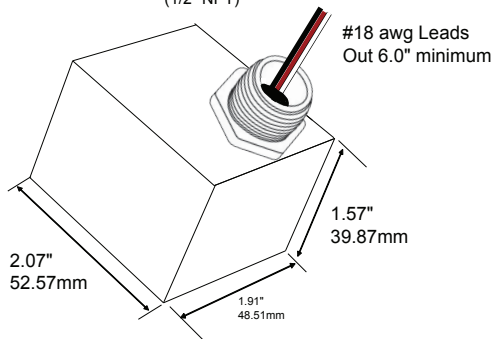
Dimmable to 5% with most standard dimmers

Lutron	C.L™ Dimmers
	DVELV-300
	SELV-3600P
	NTELV-300/600
	MAELV-300/600
Leviton	MRF2-6ND-120
	VPE04
	6615
	VPE06
	VRE06
	6672
	6674
IPE04	



DLT-347 (non-dimmable)

Approx. Dimensions
 - 0.47" heads above
 - 0.13" shoulder
 - Nipple Dia. 0.82"
 (1/2" NPT)



Note: this item is sold separately.

347V Specifications

Primary / Input	347V, 60Hz, 28W, 0.08A @ Full / Rated Load.
Secondary / Output	- Open Circuit = 130V ±2%, 0.4W - Full / Rated Load = 115V ±2%, 25VA (25W/ 0.22A resistive load)
Dielectric Strength	Winding to core 3000V, 60Hz, 1 sec.
Efficiency	88% typ. @ 347Vin, 25VA load.
Insulation System	Class A (105°C)
Environmental Temperature Rating	-20°C to + 40°C
MTBF (based on MIL Handbook 217F)	50 years @ rated specification.
Housing	Black Zytel FR50 (plastic)
Approvals	UL Listed to CSA C22.2 No. 66.1, 66.2 and UL5085-1, UL5085-2
Weight	0.75lbs.



www.magiclite.com

905-825-9592
888-945-5483

905-825-8334

lights@magiclite.com