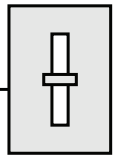
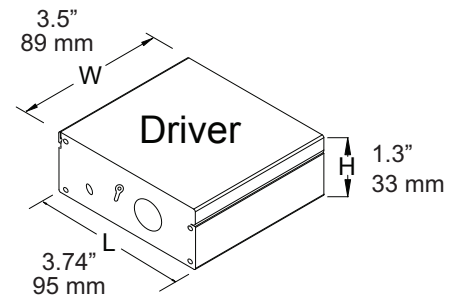
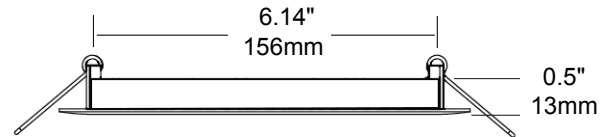
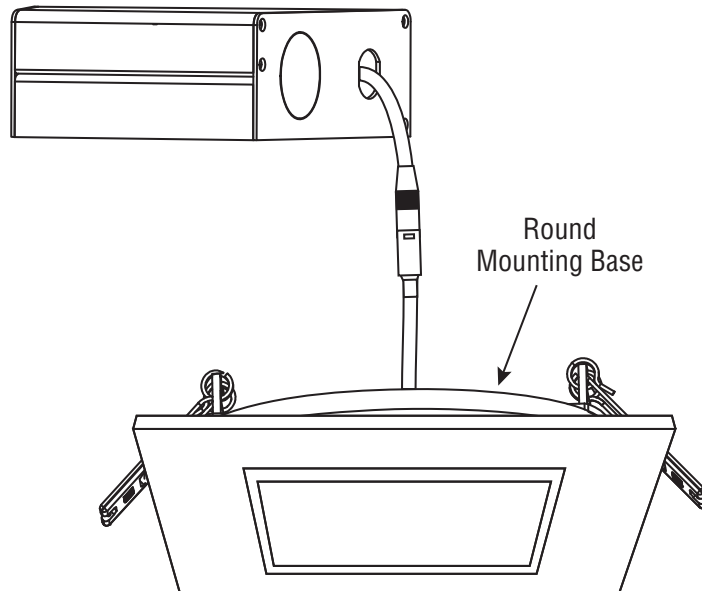


# LED Thin-Line Square Down Light Gen III

DIMMABLE



6", 12 watts LED Thin-Line Square Down Light. Designed for remodel and new construction, wet locations listed, Thin Line Downlights are a versatile and affordable choice for countless applications.



## Features

- Energy Star rated - up to 80% energy savings
- Dimmable to 5% with most standard dimmers
- 120° beam spread
- Warm White and Neutral White colour temperatures
- Two spring loaded clips to attach to any ceiling material
- White finish (interchangeable brushed nickel, black, bronze trims available - sold separately)
- Wet locations listed
- No IC can required, for direct contact with insulation and combustible materials
- Temperature rating: -20°C-45°C
- Connects directly to 120V power supply
- Optional 347V Step-Down Transformer (non-dimmable)
- 50,000 hour life
- 5 year limited warranty
- Airtight
- cETLus and Energy Star listed

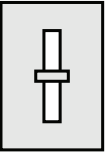
## Specifications

|                          |  |
|--------------------------|--|
| LED Colour               | White                                  |
| CCT                      | WW (3000K)<br>NW (4000K)               |
| Input Voltage            | 100 - 120 V, 60 Hz                     |
| Output Power(W)          | 12 Watts                               |
| No. SMD2835 LEDs         | 72                                     |
| Lumen (lm)               | 840 lm                                 |
| CRI                      | >80                                    |
| Luminous Efficacy (lm/W) | 70 lm/w                                |
| Approved Location        | Wet                                    |
| Life Span                | > 50,000 hrs                           |
| Appearance Size          | 6.73" W x 0.5" D<br>(171mm W x 13mm D) |
| Installation Hole Size   | 6.54" (166mm)                          |

## Ordering Code:

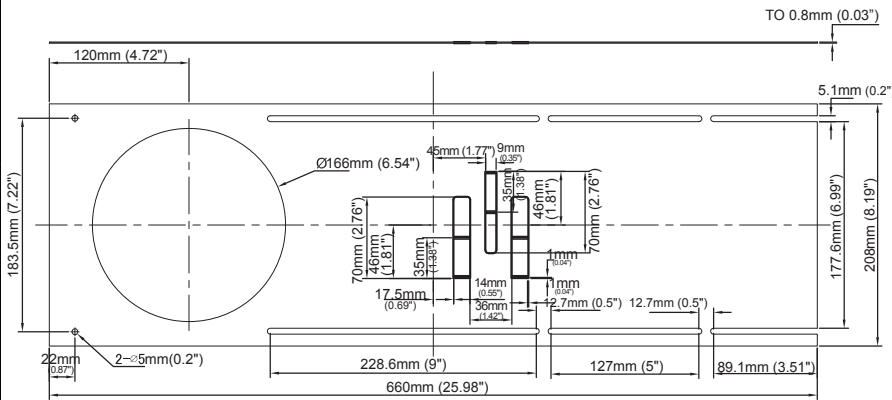
LVLDL-06S-XX-WH-R-L3

|         |  |         |  |
|---------|--|---------|--|
| Project |  | Type    |  |
| Date    |  | Contact |  |
| Notes   |  |         |  |



6", 12 watts LED Thin-Line Square Down Light. Designed for remodel and new construction, wet locations listed, Thin Line Downlights are a versatile and affordable choice for countless applications.

## LVLDL-CP-6-L3 Construction Plate



Note: this item is sold separately.

## Compatible dimmers

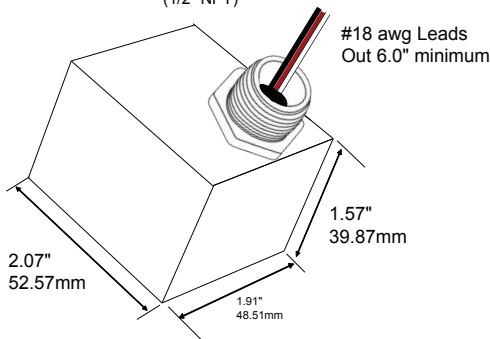
Dimmable to 5% with most standard dimmers

|         |               |
|---------|---------------|
| Lutron  | C.L™ Dimmers  |
|         | DVELV-300     |
|         | SELV-3600P    |
|         | NTELV-300/600 |
|         | MAELV-300/600 |
| Leviton | MRF2-6ND-120  |
|         | VPE04         |
|         | 6615          |
|         | VPE06         |
|         | VRE06         |
|         | 6672          |
|         | 6674          |
| IPE04   |               |

## DLT-347 (non-dimmable)



Approx. Dimensions  
 - 0.47" threads above  
 - 0.13" shoulder  
 - Nipple Dia. 0.82"  
 (1/2" NPT)



### 347V Specifications

|                                   |   |
|-----------------------------------|---|
| Primary / Input                   | 347V, 60Hz, 28W, 0.08A @ Full / Rated Load.   |
| Secondary / Output                | - Open Circuit = 130V ±2%, 0.4W<br>- Full / Rated Load = 115V ±2%, 25VA (25W/ 0.22A resistive load) |
| Dielectric Strength               | Winding to core 3000V, 60Hz, 1 sec.   |
| Efficiency                        | 88% typ. @ 347Vin, 25VA load.   |
| Insulation System                 | Class A (105°C)   |
| Environmental Temperature Rating  | -20°C to +40°C  |
| MTBF (based on MIL Handbook 217F) | 50 years @ rated specification.   |
| Housing                           | Black Zytel FR50 (plastic)  |
| Approvals                         | UL Listed to CSA C22.2 No. 66.1, 66.2 and UL5085-1, UL5085-2  |
| Weight                            | 0.75lbs.  |