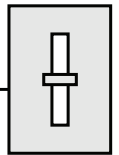
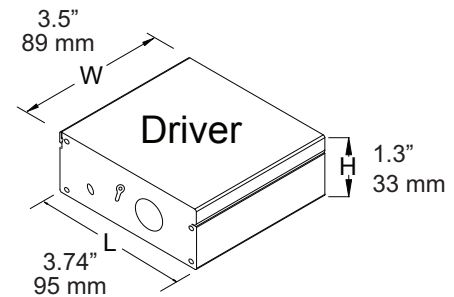
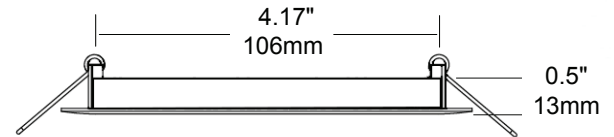
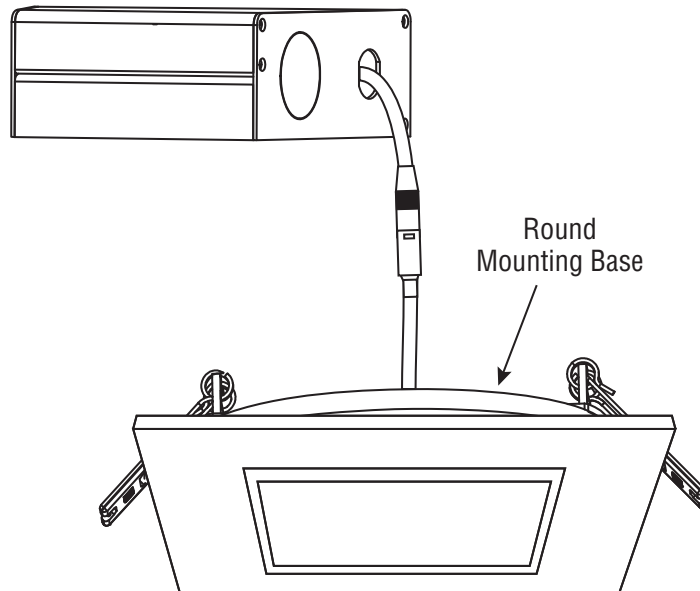


LED Thin-Line Square Down Light Gen III

DIMMABLE



4", 9 watts LED Thin-Line Square Down Light. Designed for remodel and new construction, wet locations listed, Thin Line Downlights are a versatile and affordable choice for countless applications.



Features

- Energy Star rated - up to 80% energy savings
- Dimmable to 5% with most standard dimmers
- 120° beam spread
- Warm White and Neutral White colour temperatures
- Two spring loaded clips to attach to any ceiling material
- White finish (interchangeable brushed nickel, black, bronze trims available - sold separately)
- Wet locations listed
- No IC can required, for direct contact with insulation and combustible materials
- Temperature rating: -20°C-45°C
- Connects directly to 120V power supply
- Optional 347V Step-Down Transformer (non-dimmable)
- 50,000 hour life
- 5 year limited warranty
- Airtight
- cETLus and Energy Star listed

Specifications

LED Colour	White
CCT	WW (3000K) NW (4000K)
Input Voltage	100 - 120 V, 60 Hz
Output Power(W)	9 Watts
No. SMD2835 LEDs	48
Lumen (lm)	630 lm
CRI	>80
Luminous Efficacy (lm/W)	70 lm/w
Approved Location	Wet
Life Span	> 50,000 hrs
Appearance Size	4.73" W x 0.5" D (120mm W x 13mm D)
Installation Hole Size	4.33" (110mm)

Ordering Code:

LVLDL-04S-XX-WH-R-L3

Project		Type	
Date		Contact	
Notes			

