



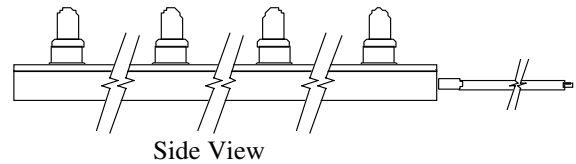
TOKISTAR LINEAR EXTRUSION INSTALLATION INSTRUCTIONS (FOR SERIES TDR, TDS, TXS, TXR, TXL)

CAUTIONS:

1. Read all steps of instructions carefully before beginning installation.
2. Turn off electricity before beginning installation.
3. All wiring is to be performed by a qualified electrician.
4. Installation must comply with the Canadian Electrical Code, and all applicable local codes.
5. Turn main supply to transformer on only after all connection are made and tested.
6. Use only Class 2 Listed transformers suitable for the size and installation.

GENERAL DESCRIPTION

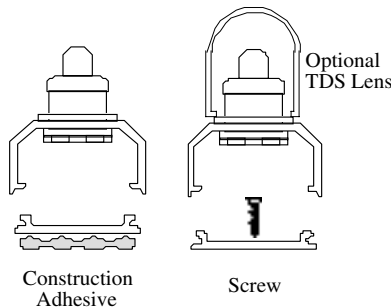
Tokistar's Linear Series is a 12 or 24 Volt lighting system using incandescent lamps or LED's. The voltage and wattage rating are indicated on the label attached to each fixture.



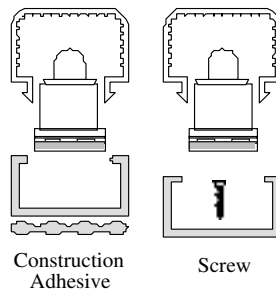
STEP 1/MOUNTING FIXTURES

Fixtures must be securely mounted in place. Never position the fixture where the lamps may be in direct contact with any surface or object. Construction adhesive or screws can be used to mount fixtures. Attach base to surfaces, then install fixture assembly to base.

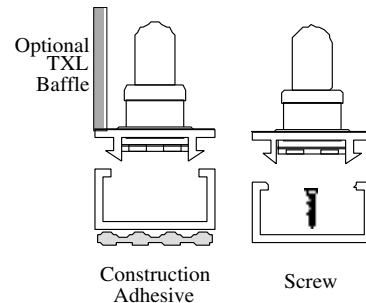
TD SERIES



TXS SERIES



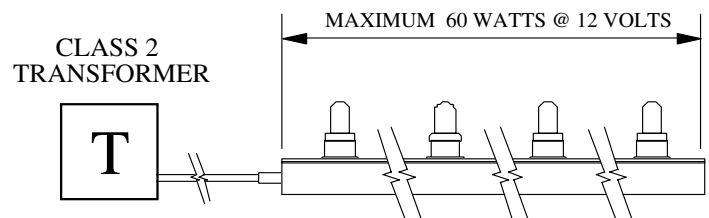
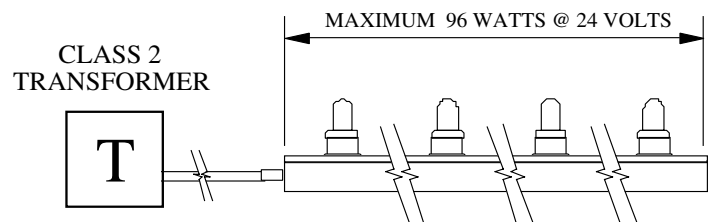
TXR SERIES



STEP 2/SECONDARY WIRING

The maximum load of each fixture must not exceed the limitations for Class 2 Circuits. A 24V fixture must not exceed 96 watts. A 12V fixture must not exceed 60 watts.

Connect end leads of tapelight to secondary wire: gauge to be determined in accordance with load and length of run. Route wire to transformer location. All secondary wiring to be performed by a qualified electrician and in accordance with the Canadian Electrical Code and all local codes.



Magic Lite Ltd.

2526 Speers Road, Units 4-9, Oakville, Ontario, Canada L6L 5K8
Tel: 905-825-9592 • Out of Area: 1-888-945-5483 • Fax: 905-825-8334
www.magiclite.com