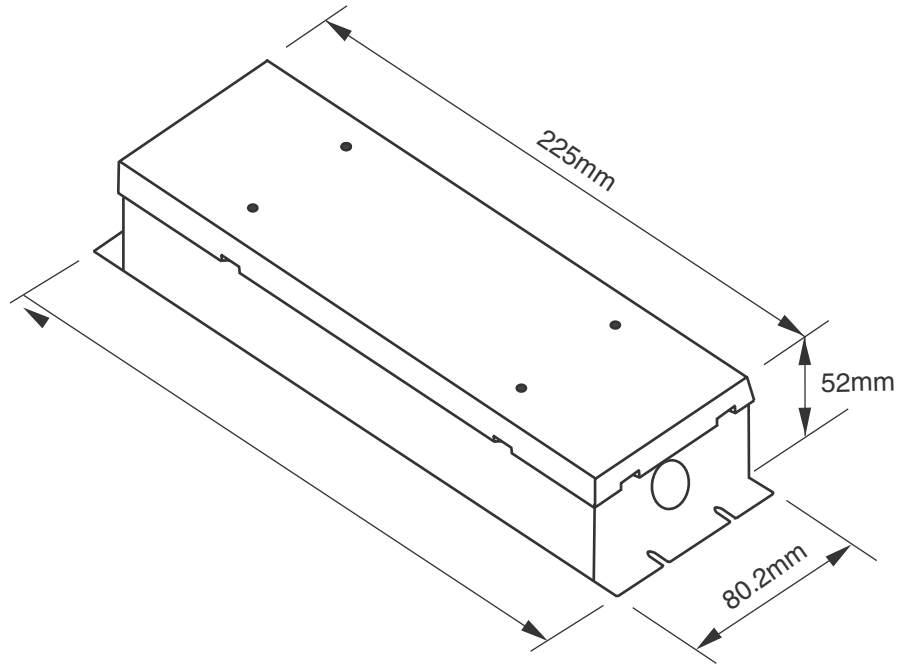


SPECIFICATIONS:

Voltage input: 100-240VAC
 Max. input current: 1.4A @ 100VAC input
 Frequency range: 50/60Hz
 Rating: IP65
 Max power: 60W
 Voltage output: 12VDC
 operating temperature: 20C to +60C full load
 Cooling: Convection



Revisions:

4		
3		
2		
1		



Project:

Part number: LEDDR-12-60W

Scale: NTS

Product:

Type:

Date: