

## Specifications

**Wattage:** 20W

**Voltage:** 24V

**Casing:** Electrical Junction Box 4 x 4"  
Class 2 and UL879 Recognized  
Single output  
IP 66 compliant  
Input range: 100~304 VAC

**Input:** 100-240V AC

**Frequency:** 37 to 63 Hz

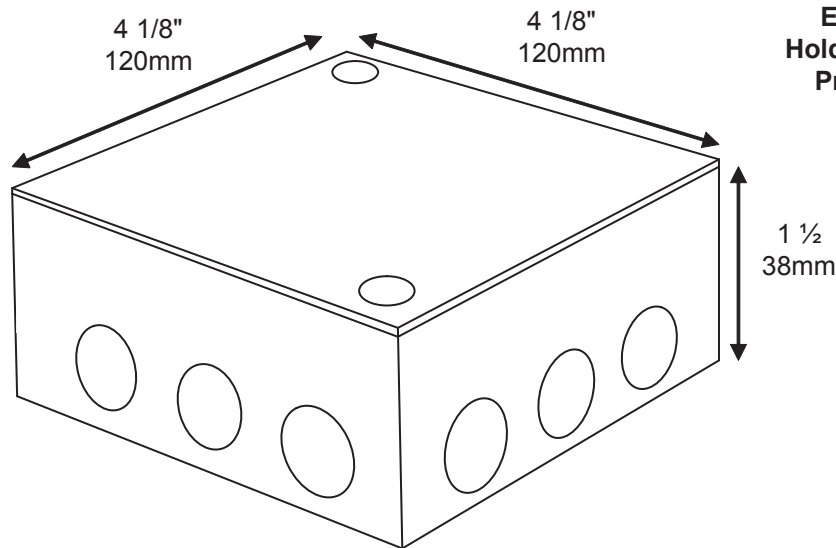
**Crest Factor:** 1.5 max.

**Inrush Current:** 10.0 Amps max. at 230VAC, colt star 25°C

**Efficiency:** 85% typical at max. load

**Hold up time:** Half cycle min. at 120VAC and 8-% of rated load

**Protection:** Over-voltage, over current and short circuit protection: Auto recovery



### Revisions:

4		
3		
2		
1		



MAGIC LITE LTD.

Project:

Part number: MLDR-20-24JB

Scale: NTS

Product: LED DRIVER, 20W, 24V DC, IN J-BOX

Type:

Date: