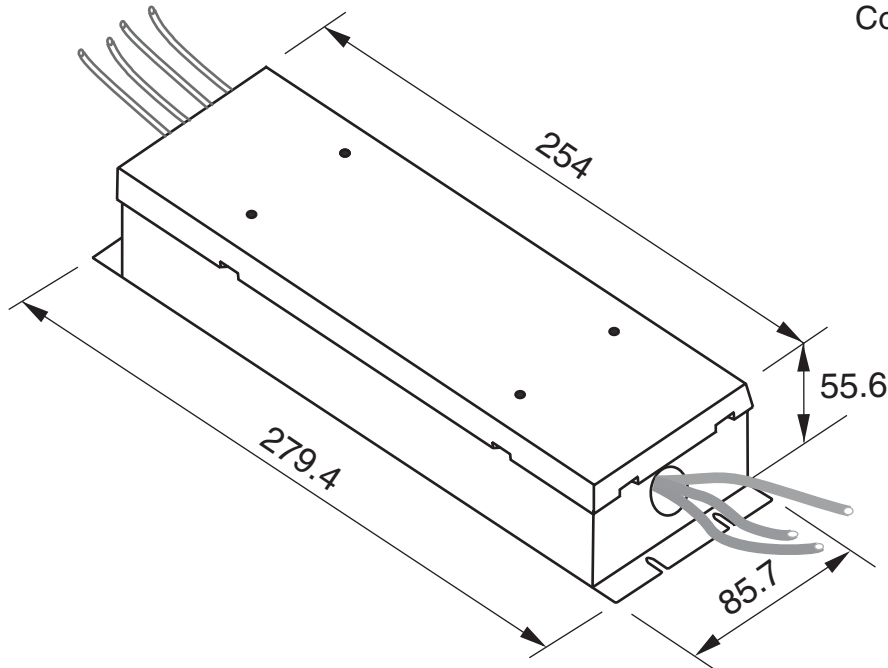


SPECIFICATIONS:

Voltage input: 90-264VAC
 Max. input current: 1.6A @ 100VAC input
 Frequency range: 44-63Hz
 Power factor: 99% Typ.
 Rating: IP65
 Output: 2 channels @ 60Watt each
 Max power: 120W both channels combined
 Voltage output: 24VDC
 Operating temperature: -20C to +60C full load
 Cooling: Convection

DC Output wires		AC Input wires	
Color	Output	Color	Input
Red	Channel 1	White	Neutral
Red	Channel 2	Black	Line
Black	DC GND return	Green	AC GND
Black	DC GND return		



All dimensions are in mm

Revisions:

4		
3		
2		
1		



Project:

Part number: MLDR-120-24

Scale: NTS

Product: LED Driver, 120Watt, 24VDC

Type:

Date: